

Zurn Wilkins Repair Kits



BACKFLOW PREVENTERS

MODEL 350DA.....	2
Double Check Detector Assembly – Backflow Preventers 2-1/2" to 3"	
MODEL 350DA.....	4
Double Check Detector Assembly – Backflow Preventers 4" to 12"	
MODEL 350ADA.....	6
Double Check Detector Assembly – Backflow Preventers 2-1/2" to 10"	
MODEL 350ASTDA.....	8
Stainless Steel Double Check Detector Assembly – Backflow Preventers 2-1/2" to 10"	
MODEL 450DA.....	10
Double Check Detector Assembly – Backflow Preventers 4" to 10"	
MODEL 450STDA.....	12
Stainless Steel Double Check Detector Assembly – 4" to 10"	
MODEL 375DA.....	14
Reduced Pressure Detector Assembly – Backflow Preventers 2-1/2" to 3"	
MODEL 375DA.....	16
Reduced Pressure Detector Assembly – Backflow Preventers 4" to 10"	
MODEL 375ADA.....	18
Reduced Pressure Detector Assembly – Backflow Preventers 2-1/2" to 10"	
MODEL 375ASTDA.....	20
Stainless Steel Reduced Pressure Detector Assembly – Backflow Preventers 2-1/2" to 10"	
MODEL 475DA and 475DAV.....	22
Reduced Pressure Detector Assembly – Backflow Preventers 4" to 10"	
MODEL 475STDA and 475STDAV.....	24
Stainless Steel Reduced Pressure Detector Assembly – Backflow Preventers 4" to 10"	
MODEL 350XL and 350.....	26
Double Check – Backflow Preventers 3/4" and 1"	
MODEL 350XL and 350.....	28
Double Check – Backflow Preventers 1-1/4" to 2"	
MODEL 950XL.....	30
Double Check – Backflow Preventers 3/4" to 2"	
MODEL 950XLT2, 950XLT, 950XLTDA.....	32
Double Check – Backflow Preventers 3/4" to 2"	
MODEL 950XL3.....	34
Double Check – Backflow Preventers 3/4" to 2"	
MODEL 350 and 450.....	36
Double Check – Backflow Preventers 2-1/2" and 3"	
MODEL 350A and 350.....	38
Double Check – Backflow Preventers 350A (2-1/2" to 10") and 350 (4" to 12")	

MODEL 350AST.....	40
Stainless Steel Double Check – Backflow Preventers 2-1/2" to 10"	
MODEL 450.....	42
Double Check – Backflow Preventers 4" to 10"	
MODEL 450ST.....	44
Stainless Steel Double Check – Backflow Preventers 4" to 10"	
MODEL 375ST.....	46
Stainless Steel Reduced Pressure Principle – Backflow Preventers 1/2" to 1"	
MODEL 375XL and 375.....	48
Reduced Pressure Principle – Backflow Preventers 1/2" to 1"	
MODEL 375XL and 375.....	50
Reduced Pressure Principle – Backflow Preventers 1-1/4" to 2"	
MODEL 975XLST.....	52
Stainless Steel Reduced Pressure Principle – Backflow Preventers 3/8" and 1/2"	
MODEL 975XL2 and 975XL.....	54
Reduced Pressure Principle – Backflow Preventers 1/4" to 1/2"	
MODEL 975XL2 and 975XL.....	56
Reduced Pressure Principle – Backflow Preventers 3/4" to 2"	
MODEL 975XL3.....	58
Reduced Pressure Principle – Backflow Preventers 1/2" to 2"	
MODEL 375, 475 and 475V.....	60
Reduced Pressure Principle – Backflow Preventers 2-1/2" and 3"	
MODEL 375A and 375.....	62
Reduced Pressure Principle – Backflow Preventers 375A (2-1/2" to 10") and 375 (4" to 10")	
MODEL 375AST.....	64
Stainless Steel Reduced Pressure Principle – Backflow Preventers 2-1/2" to 10"	
MODEL 475 and 475V.....	66
Reduced Pressure Principle – Backflow Preventers 4" to 10"	
MODEL 475ST.....	68
Reduced Pressure Principle – Backflow Preventers 4" to 10"	

BACKFLOW DEVICES

RELIEF VALVE - 2-1/2" to 10".....	70
Models 375, 375A, 375AST, 475 and 475V	
MODEL 710.....	72
Pressure Vacuum Breakers – 3/4" to 1"	

MODEL 720A.....	73
Pressure Vacuum Breakers – 1/2" to 1"	
MODEL 720A.....	74
Pressure Vacuum Breakers – 1-1/4" to 2"	
MODEL 420XL and 420.....	75
Pressure Vacuum Breakers – 1/2" and 3/4"	
MODEL 420XL and 420.....	76
Pressure Vacuum Breakers – 1"	
MODEL 460XL and 460.....	77
Spill Resistant Pressure Vacuum Breaker – 3/8" to 1"	
MODEL 700XL and 700.....	78
Dual Check Valve – 1/4" to 1"	
MODEL 700XLFP and 700FP.....	78
High Capacity Dual Check Valve – 1" to 1-1/2"	
MODEL 705.....	78
Dual Check Valve – 3/4" and 1"	
MODEL 310.....	79
Single Check – 4" to 8"	
MODEL 35XL and 35.....	80
Atmospheric Vacuum Breaker – 1/4" to 2"	

PRESSURE REDUCING VALVES

MODEL 70XL.....	81
Pressure Reducing Valves – 3/4" to 1"	
MODEL NR3XL.....	82
Pressure Reducing Valves – 1/2" to 2"	
MODEL 600XL.....	84
Pressure Reducing Valves – 1/2" to 1"	
MODEL 600XL.....	86
Pressure Reducing Valves – 1-1/4" to 2"	
MODEL 500XL.....	88
Pressure Reducing Valves – 1/2" to 1"	
MODEL 500XL.....	90
Pressure Reducing Valves – 1-1/4" to 3"	
MODEL 500XL3.....	92
Pressure Reducing Valves – 1" to 3"	
MODEL 500XLFC.....	94
Pressure Reducing Valves – 2" to 3"	

MISCELLANEOUS PRODUCTS

MODEL YBXL.....	96
Bronze Wye Type Strainer – 1/2" to 3"	
MODEL SXL.....	97
Cast Bronze Wye Type Strainer – 3/8" to 3"	
MODEL FSC.....	98
Ductile Iron Wye Type Strainer – 2-1/2" to 10"	
MODEL WBR.....	99
In Building Riser – 4" to 10"	

MODEL 350DA



Double Check Detector Assembly – Backflow Preventers 2-1/2" to 3"

Repair Kit Components		2-1/2"		2-1/2" and 3"						3"
Item #	Item Description	212-BK	RK212-350	RK212-350DA	RK212-350CK1	RK212-350DACK2	RK212-350-COVERPLATE	BRK212-300-SEAT1-RTNR	BRK212-300-SEAT2-RTNR	3-BK
1	Bolt, Flange	•(x8)								•(x8)
2	Nut, Flange	•(x8)								•(x8)
3	Gasket, Flange	•(x2)								•(x2)
4	O-Ring, Cover Plate						•			
5	Cover Plate						•			
6	Bolt, Cover Plate						•(x2)			
7	Seat Retainer #1				•			•(x6)		
8	Seat Retainer #2					•			•(x6)	
9	O-Ring, Seat		•(x2)	•(x2)	•	•				
10	Nut, Poppet Retainer				•	•				
11	Washer, #1 Check				•					
12	Washer, #2 Check					•				
13	O-Ring, Stem		•(x2)	•(x2)	•	•				
14	Poppet Retainer				•	•				
15	Seal Ring		•(x2)	•(x2)	•	•				
16	Seat Assembly, #1 Poppet				•					
17	Seat Assembly, #2 Poppet				•					
	Bypass Rubber Repair Kit		•							

Whole Goods (Available for individual sale)

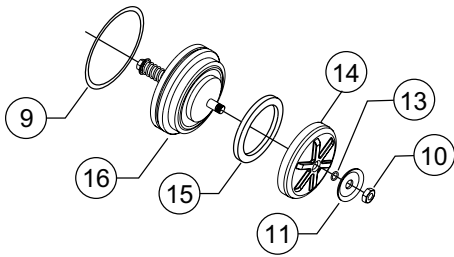
Item #	Item Description	2-1/2"	3"
18	Gate Valve, OS&Y (FxF)	212-480SY	3-480SY
	Gate Valve, OS&Y (GxF)	212-480SYGXF	3-480SYGXF
	Gate Valve, Post Indicator (FxF)	212-48PIV	3-48PIV
	Gate Valve, Post Indicator (FxF)	212-48PIVGXF	3-48PIVGXF
	Butterfly Valve (GxF)	212-49GXF	3-49GXF
19	Ball Valve, FxF		12-850XL
20	Ball Valve, MxF		12-850MXL
21	Cover Retainer Assembly		5-23
22	Bulkhead Fittings		BHFICXL-100
23	Sensing Line Bulkhead Fittings		BHFIBXL-100
24	Cover		RK212-LBF-VLV-COVER
25	Water Meter		557-54XL
26	Bypass Valve		34-950XLD
27	Bypass Assembly		RK212-350DA-BP-LM
	Bypass Rubber Repair Kit		RK34-950XLR

Item No.	Repair Kit Description
2-1/2"	
212-BK	Flanged Kit, 2-1/2"
2-1/2" and 3"	
RK212-350	Main Valve Rubber Repair Kit, 2-1/2" and 3" 350DA
RK212-350DA	Complete Rubber Repair Kit, 2-1/2" and 3" 350DA
RK212-350CK1	#1 Check Assembly Repair Kit, 2-1/2" and 3" 350DA
RK212-350DACK2	#2 Check Assembly Repair Kit, 2-1/2" and 3" 350DA
RK212-350-COVERPLATE	Cover Plate Repair Kit, 2-1/2" and 3" 350DA
BRK212-300-SEAT1-RTNR	#1 Check Seat Retainer Bulk Kit, 2-1/2" and 3" 350DA
BRK212-300-SEAT2-RTNR	#2 Check Seat Retainer Bulk Kit, 2-1/2" and 3" 350DA
3"	
3-BK	Flanged Kit, 3"

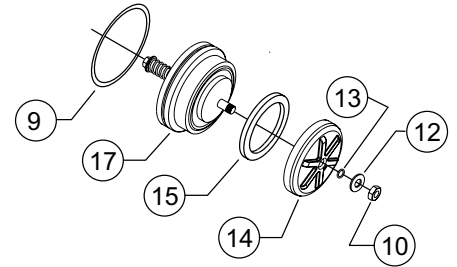
MODEL 350DA

Double Check Detector Assembly – Backflow Preventers 2-1/2" to 3"

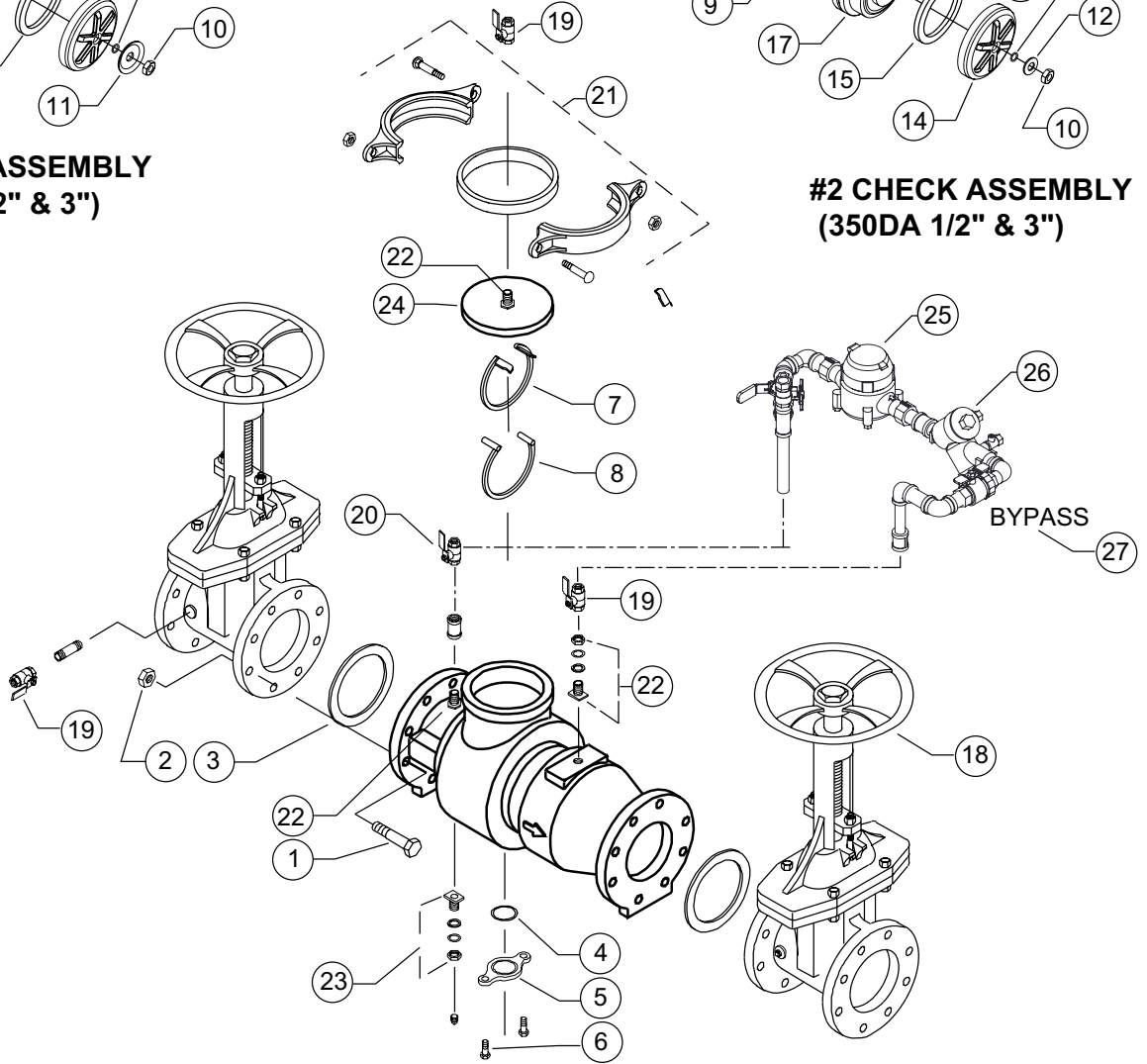
Parts Drawing



**#1 CHECK ASSEMBLY
(350DA 2 1/2" & 3")**



**#2 CHECK ASSEMBLY
(350DA 1/2" & 3")**



**MODEL 350DA
(2 1/2" - 3")**

MODEL 350DA

Double Check Detector Assembly – Backflow Preventers 4" to 12"



Repair Kit Components		4"				4" and 6"		6"				8"		8" and 10"		8" - 12"		10"		12"							
Size Range		RK4-350	RK4-350DA	RK4-350CK1	RK4-350CK2	BRK4-LBF-SEATIRTNR	BRK4-LBF-SEAT2RTNR	4-BK	RK212-350-COVERPLATE	RK6-350	RK6-350DA	RK6-350CK1	RK6-350CK2	BRK6-LBF-SEATIRTNR	BRK6-LBF-SEAT2RTNR	6-BK	8-BK	RK8-350CK1	RK8-350DACK2	RK8-350	RK8-350DA	RK8-350-COVERPLATE	10-BK	12-BK	RK12IN-350DACK1	RK12IN-350DACK2	
4"		•	•	•	•	•	•	•	•																		
6"									•	•	•	•	•	•	•												
8"																•	•	•	•	•	•	•					
10"																	•	•	•	•	•	•	•				
12"																				•	•	•	•	•	•	•	
Item #	Item Description																										
1	Bolt, Flange							•(x16)								•(x16)	•(x16)						•(x24)	•(x24)			
2	Nut, Flange							•(x16)								•(x16)	•(x16)						•(x24)	•(x24)			
3	Gasket, Flange							•(x2)								•(x2)	•(x2)						•(x2)	•(x2)			
4	O-Ring, Cover Plate								•													•					
5	Cover Plate								•													•					
6	Bolt, Cover Plate								•(x2)													•(x2)					
7	Seat Retainer #1			•		•(x6)							•(x6)					•(x4)	•(x7)						•(x4)	•(x7)	
8	Seat Retainer #2				•		•(x12)						•(x2)		•(x12)											•(x4)	•(x7)
9	O-Ring, Check	•(x2)	•(x2)	•	•					•(x2)	•(x2)	•	•								•(x2)	•(x2)					
10	Bolt, Poppet Retainer			•(x4)	•(x4)								•(x4)	•(x4)				•(x6)	•(x6)						•(x6)	•(x6)	
11	Handle, #1 Poppet Assembly			•									•													•(x6)	•(x6)
12	Washer, Poppet Bolt			•(x4)	•(x4)								•(x4)	•(x4)				•(x6)	•(x6)						•(x6)	•(x6)	
13	O-Ring, Poppet Bolt	•(x8)	•(x8)	•(x4)	•(x4)					•(x8)	•(x8)	•(x4)	•(x4)					•(x6)	•(x6)	•(x12)	•(x12)				•(x6)	•(x6)	
14	Poppet Retainer			•	•								•	•				•	•						•	•	
15	Seal Ring	•(x2)	•(x2)	•	•					•(x2)	•(x2)	•	•					•	•	•(x2)	•(x2)				•	•	
16	Seat Assembly, #1 Poppet			•									•					•							•		
17	Seat Assembly, #2 Poppet				•								•						•						•		
18	Washer, Seat Retainer																	•(x4)	•(x7)						•(x4)	•(x7)	
	Bypass Rubber Repair Kit		•																		•						

Whole Goods (Available for individual sale)

Item #	Item Description	4"		6"		8"		10"		12"	
19	Gate Valve, OS&Y (FxF)	4-48OSY		6-48OSY		8-48OSY		10-48OSY		12-48OSY	
	Gate Valve, OS&Y (GxF)	4-48OSYGXF		6-48OSYGXF		8-48OSYGXF		10-48OSYGXF		12-48OSYGXF	
	Gate Valve, Post Indicator (FxF)	4-48PIV		6-48PIV		8-48PIV		10-48PIV		12-48PIV	
	Gate Valve, Post Indicator (FxG)	4-48PIVGXF		6-48PIVGXF		8-48PIVGXF		10-48PIVGXF		12-48PIVGXF	
	Butterfly Valve (GxF)	4-48GXF		6-48GXF		8-48GXF		10-48GXF		12-GXF	
20	Ball Valve, FxF	12-850XL				34-850XL					
21	Ball Valve, MxF	12-850MXL				34-850MXL					
22	Cover Retainer Assembly			6-23		8-23				12-23	
23	Grooved Coupling	4-23		6-23		8-23		10-23		12-23	
24	Bulkhead Fittings			BHF1CXL-100				BHF2BXL-100			
25	Sensing Line Bulkhead Fittings			BHF1BXL-100				BHF2CXL-100			
26	Cover	RK4-LBF-VALVE-COVER		RK6-LBF-VALVE-COVER				RK8-LBF-VALVE-COVER			
27	Water Meter					557-54XL					
28	Bypass Valve					34-975XLD					
29	Bypass Assembly	RK4-350DA-BP-LM		RK6-350DA-BP-LM		RK8-350DA-BP-LM				RK12IN-350DA-BP-LM	
	Bypass Rubber Repair Kit					RK34-950XLR					

Item No.	Repair Kit Description
4"	
RK4-350	Standard Repair Kit, 4" 350DA
RK4-350DA	Main & Bypass Rubber Repair Kit 4" 350DA
RK4-350CK1	#1 Check Assembly Repair Kit, 4" 350DA
RK4-350CK2	#2 Check Assembly Repair Kit, 4" 350DA
BRK4-LBF-SEATIRTNR	Bulk #1 Seat Retainer Repair Kit, 4" 350DA
BRK4-LBF-SEAT2RTNR	Bulk #2 Seat Retainer Repair Kit, 4" 350DA
4-BK	Flanged Kit, 4"
4" and 6"	
RK212-350-COVERPLATE	Cover Plate Repair Kit, 2-1/2" - 6" 350DA

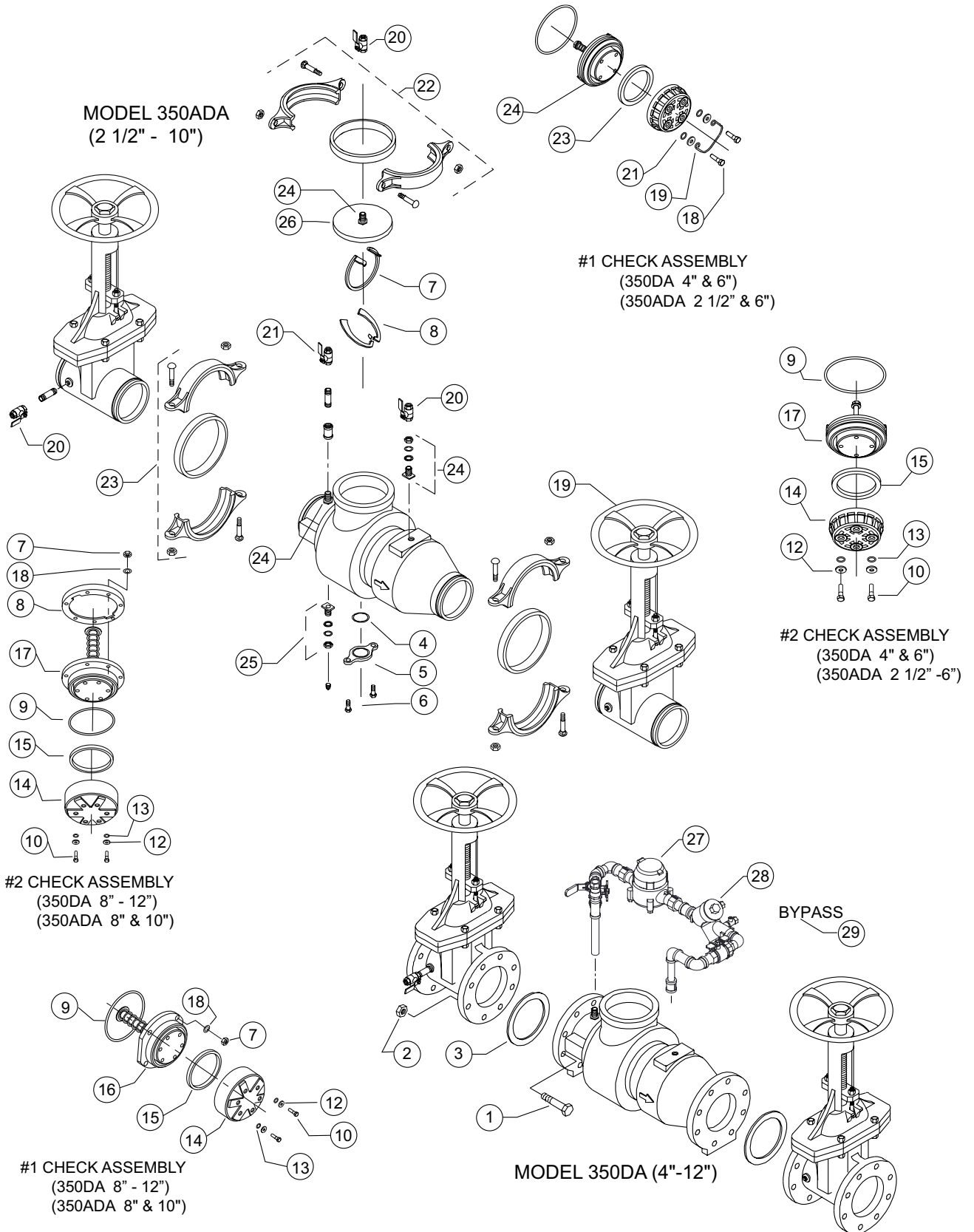
Item No.	Repair Kit Description
6"	
RK6-350	Standard Repair Kit, 6" 350DA
RK6-350DA	Main & Bypass Rubber Repair Kit 6" 350DA
RK6-350CK1	#1 Check Assembly Repair Kit, 6" 350DA
RK6-350CK2	#2 Check Assembly Repair Kit, 6" 350DA
BRK6-LBF-SEATIRTNR	Bulk #1 Seat Retainer Repair Kit, 6" 350DA
BRK6-LBF-SEAT2RTNR	Bulk #2 Seat Retainer Repair Kit, 6" 350DA
6-BK	Flanged Kit, 6"
8"	
8-BK	Flanged Kit, 8"
8" and 10"	
RK8-350CK1	#1 Check Assembly Repair Kit, 8" and 10" 350DA
RK8-350DACK2	#2 Check Assembly Repair Kit, 8" and 10" 350DA

Item No.	Repair Kit Description
8" - 12"	
RK8-350	Standard Repair Kit, 8" - 12" 350DA
RK8-350DA	Main & Bypass Rubber Repair Kit 8" - 12" 350DA
RK8-350-COVERPLATE	Cover Plate Repair Kit, 8" - 12" 350DA
10"	
10-BK	Flanged Kit, 10"
12"	
12-BK	Flanged Kit, 12"
RK12IN-350DACK1	#1 Check Assembly Repair Kit, 12" 350DA
RK12IN-350DACK2	#2 Check Assembly Repair Kit, 12" 350DA

MODEL 350DA

Double Check Detector Assembly – Backflow Preventers 4" to 12"

Parts Drawing



MODEL 350ADA



Double Check Detector Assembly – Backflow Preventers 2-1/2" to 10"

Repair Kit Components		2-1/2" - 4"						2-1/2" - 6"	6"				8"	8" and 10"						
Size Range		RK4-350	RK4-350DA	RK4-350CK1	RK4-350CK2	RK4-LBF-SEAL-RTNR	BRK4-LBF-SEATIRTNR	BRK4-LBF-SEAT2RTNR	RK212-350-COVERPLATE	RK6-350	RK6-350DA	RK6-350CK1	RK6-350CK2	BRK6-LBF-SEATIRTNR	BRK6-LBF-SEAT2RTNR	RK8-350DACK2	RK8-350	RK8-350DA	RK8-350CK1	RK8-350-COVERPLATE
2-1/2"		•	•	•	•	•	•	•	•											
3"		•	•	•	•	•	•	•	•											
4"		•	•	•	•	•	•	•	•											
6"									•	•	•	•	•	•	•					
8"																•	•	•	•	•
10"																•	•	•	•	•
Item #	Item Description																			
1	Bolt, Flange																			
2	Nut, Flange																			
3	Gasket, Flange																			
4	O-Ring, Cover Plate								•											•
5	Cover Plate								•											•
6	Bolt, Cover Plate								•(x2)											•(x2)
7	Seat Retainer #1			•			•(x6)				•			•(x6)		•(x7)			•(x4)	
8	Seat Retainer #2							•(x12)				•(x2)			•(x12)					
9	O-Ring, Check	•(x2)	•(x2)	•	•					•(x2)	•(x2)	•	•				•(x2)	•(x2)		
10	Bolt, Poppet Retainer			•(x4)	•(x4)							•(x4)	•(x4)			•(x6)				•(x6)
11	Handle, #1 Poppet Assembly			•								•								
12	Washer, Poppet Bolt			•(x4)	•(x4)							•(x4)	•(x4)			•(x6)				•(x6)
13	O-Ring, Poppet Bolt	•(x8)	•(x8)	•(x4)	•(x4)	•(x4)				•(x8)	•(x8)	•(x4)	•(x4)			•(x6)	•(x12)	•(x12)	•(x6)	
14	Poppet Retainer			•	•	•						•	•			•				•
15	Seal Ring	•(x2)	•(x2)	•	•					•(x2)	•(x2)	•	•				•(x2)	•(x2)		
16	Seat Assembly, #1 Poppet			•								•								•
17	Seat Assembly, #2 Poppet				•								•							
18	Washer, Seat Retainer														•(x7)				•(x4)	
	Bypass Rubber Repair Kit		•															•		

Whole Goods (Available for individual sale)

Item #	Item Description	2-1/2"	3"	4"	6"	8"	10"	12"
19	Gate Valve, OS&Y (GxG)	212-480SYG	3-480SYG	4-480SYG	6-480SYG	8-480SYG	10-480SYG	12-480SYG
	Gate Valve, OS&Y (GXF)	212-480SYGXF	3-480SYGXF	4-480SYGXF	6-480SYGXF	8-480SYGXF	10-480SYGXF	12-480SYGXF
	Gate Valve, Post Indicator (GxG)	212-48PIVG	3-48PIVG	4-48PIVG	6-48PIVG	8-48PIVG	10-48PIVG	12-48PIVG
	Gate Valve, Post Indicator (GxF)	212-48PIVGXF	3-48PIVGXF	4-48PIVGXF	6-48PIVGXF	8-48PIVGXF	10-48PIVGXF	12-48PIVGXF
	Butterfly Valve (GxG)	212-49G	3-49G	4-49G	6-49G	8-49G	10-49G	12-49G
	Butterfly Valve (GxF)	212-49GXF	3-49GXF	4-49GXF	6-49GXF	8-49GXF	10-49GXF	12-49GXF
20	Ball Valve, FxF		12-850XL				34-850XL	
21	Ball Valve, MxF		12-850MXL				34-850MXL	
22	Cover Retainer Assembly			6-23		8-23		12-23
23	Grooved Coupling	4X212-23	4X3-23	4-23	6-23	8-23	10-23	12-23
24	Bulkhead Fittings			BHFICXL-100			BHF2BXL-100	
25	Sensing Line Bulkhead Fittings			BHFIBXL-100			BHF2CXL-100	
26	Cover		RK4-LBF-VALVE-COVER		RK6-LBF-VALVE-COVER		RK8-LBF-VALVE-COVER	
27	Water Meter				557-54XL			
28	Bypass Valve				950XLD			
29	Bypass Assembly		RK4-350DA-BP-LM		RK6-350DA-BP-LM		RK8-350DA-BP-LM	
	Bypass Rubber Repair Kit				RK34-950XLR			

Item No.	Repair Kit Description
RK4-350	Standard Repair Kit, 2-1/2" - 4" 350ADA
RK4-350DA	Main and Bypass Rubber Repair Kit 2-1/2" - 4" 350ADA
RK4-350CK1	#1 Check Assembly Repair Kit, 2-1/2" - 4" 350ADA
RK4-350CK2	#2 Check Assembly Repair Kit, 2-1/2" - 4" 350ADA
RK4-LBF-SEAL-RTNR	Seal Retainer Repair Kit, 2-1/2" - 4" 350ADA
BRK4-LBF-SEATIRTNR	Bulk #1 Seat Retainer Repair Kit, 2-1/2" - 4" 350ADA
BRK4-LBF-SEAT2RTNR	Bulk #2 Seat Retainer Repair Kit, 2-1/2" - 4" 350ADA

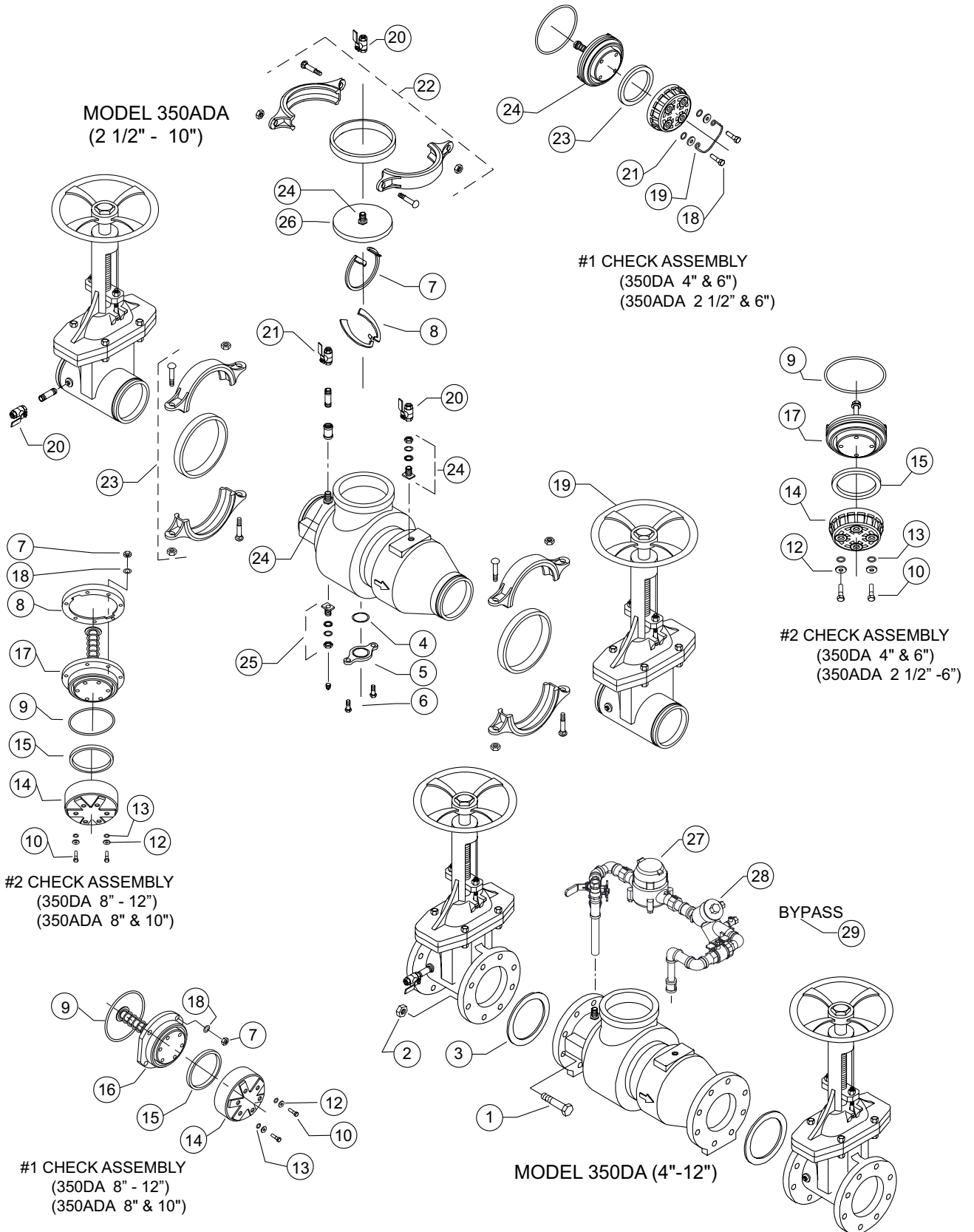
Item No.	Repair Kit Description
RK212-350-COVERPLATE	Cover Plate Repair Kit, 2-1/2" - 6" 350ADA
RK6-350	Standard Repair Kit, 6" 350ADA
RK6-350DA	Main and Bypass Rubber Repair Kit 6" 350ADA
RK6-350CK1	#1 Check Assembly Repair Kit, 6" 350ADA
RK6-350CK2	#2 Check Assembly Repair Kit, 6" 350ADA
BRK6-LBF-SEATIRTNR	Bulk #1 Seat Retainer Repair Kit, 6" 350ADA
BRK6-LBF-SEAT2RTNR	Bulk #2 Seat Retainer Repair Kit, 6" 350ADA

Item No.	Repair Kit Description
RK8-350DACK2	#2 Check Assembly Repair Kit, 8" 350ADA
RK8-350	Standard Repair Kit, 8" - 10" 350ADA
RK8-350DA	Main and Bypass Rubber Repair Kit 8" - 10" 350ADA
RK8-350CK1	#1 Check Assembly Repair Kit, 8" - 10" 350ADA
RK8-350-COVERPLATE	Cover Plate Repair Kit, 8" - 10" 350ADA

MODEL 350ADA

Double Check Detector Assembly – Backflow Preventers 2-1/2" to 10"

Parts Drawing



MODEL 350ASTDA



Stainless Steel Double Check Detector Assembly – Backflow Preventers 2-1/2" to 10"

Repair Kit Components		2-1/2"		2-1/2" - 4"			2-1/2" - 6"	3" and 4"		6"					8"		8" and 10"			10"	
Size Range	RK212-350ASTDACK2	RK4-350	RK4-350DA	RK4-350ASTCK1	BRK4-SSLBF-SEAT2RTNR	RK4-350AST-COVRPLATE	RK4-350ASTDACK2	RK6-350	RK6-350DA	RK6-350ASTCK1	RK6-350ASTDACK2	BRK6-SSLBF-SEAT1RTNR	BRK6-SSLBF-SEAT2RTNR	RK8-350ASTCK1	RK8-350	RK8-350DA	RK8-350ASTDACK2	RK8-350-COVRPLATE	RK10-350ASTCK1		
2-1/2"	•	•	•	•	•	•															
3"		•	•	•	•	•	•														
4"		•	•	•	•	•	•														
6"								•	•	•	•	•	•								
8"														•	•	•	•	•	•	•	
10"															•	•	•	•	•	•	
Item #	Item Description																				
1	O-Ring, Cover Plate					•														•	
2	Cover Plate					•														•	
3	Bolt, Cover Plate					•(x2)														•(x2)	
4	Seat Retainer #1				•(x2)					•		•(x6)									
5	Seat Retainer #2				•(x6)					•(x2)			•(x6)								
6	O-Ring, Seat	•	•(x2)	•(x2)	•		•	•(x2)	•(x2)	•	•			•	•(x2)	•(x2)	•			•	
7	Bolt, Poppet Retainer	•(x4)			•(x4)					•(x4)	•(x4)			•(x6)					•(x6)		•(x6)
8	Handle, #1 Poppet Assembly				•					•											
9	Washer	•(x4)			•(x4)			•(x4)		•(x4)	•(x4)			•(x6)					•(x6)		•(x6)
10	O-Ring, Retainer	•(x4)	•(x8)	•(x8)	•(x4)		•(x4)	•(x8)	•(x8)	•(x4)	•(x4)			•(x6)	•(x12)	•(x12)	•(x6)			•(x6)	
11	Poppet Retainer	•			•		•			•	•			•					•		•
12	Seal Ring	•	•(x2)	•(x2)	•		•	•(x2)	•(x2)	•	•			•	•(x2)	•(x2)	•			•	
13	Seat Assembly, #1 Poppet				•					•				•						•	
14	Seat Assembly, #2 Poppet	•					•			•										•	
15	Washer, Seat Retainer													•(x4)					•(x7)		•(x4)
16	Nut, Seat Retainer													•(x4)					•(x7)		•(x4)
	Bypass Rubber Repair Kit			•						•						•					

Whole Goods (Available for individual sale)

Item #	Item Description	2-1/2"	3"	4"	6"	8"	10"
17	Gate Valve, OS&Y (GxG)	212-480SYG	3-480SYG	4-480SYG	6-480SYG	8-480SYG	10-480SYG
	Gate Valve, OS&Y (GxF)	212-480SYGXF	3-480SYGXF	4-480SYGXF	6-480SYGXF	8-480SYGXF	10-480SYGXF
	Gate Valve, Post Indicator (GxG)	212-48PIVG	3-48PIVG	4-48PIVG	6-48PIVG	8-48PIVG	10-48PIVG
	Gate Valve, Post Indicator (GxF)	212-48GXF	3-48GXF	4-48GXF	6-48GXF	8-48GXF	10-48GXF
	Butterfly Valve (GxG)	212-49G	3-49G	4-49G	6-49G	8-49G	10-49G
	Butterfly Valve (GxF)	212-49GXF	3-49GXF	4-49GXF	6-49GXF	8-49GXF	10-49GXF
18	Ball Valve, FxF		12-850XL			34-850XL	
19	Ball Valve, MxF		12-850MXL			34-850MXL	
20	Cover Retainer Assembly		6-23		8-23		12-23
21	Grooved Coupling	212-23	3-23	4-23	6-23	8-23	10-23
22	Cover		3509ST-3		3510ST-3		3511ST-3
23	Water Meter				557-54XL		
24	Bypass Valve				950XLD		
25	Bypass Assembly		RK212-350ASTDA-BP-LM		RK6-350ASTDA-BP-LM		RK8-350ASTDA-BP-LM
	Bypass Rubber Repair Kit				RK34-950XLR		

Item No.	Repair Kit Description
	2-1/2"
RK212-350ASTDACK2	#2 Check Assembly Repair Kit, 2-1/2" 350ASTDA
	2-1/2" - 4"
RK4-350	Standard Repair Kit, 2-1/2" - 4" 350ASTDA
RK4-350DA	Main and Bypass Rubber Repair Kit 2-1/2" - 4" 350ASTDA
RK4-350ASTCK1	#1 Check Assembly Repair Kit, 2-1/2" - 4" 350ASTDA
BRK4-SSLBF-SEAT2RTNR	Bulk #2 Seat Retainer Repair Kit, 2-1/2" - 4" 350ASTDA
	2-1/2" - 6"
RK4-350AST-COVRPLATE	Cover Plate Repair Kit, 2-1/2" - 6" 350ASTDA
	3" and 4"
RK4-350ASTDACK2	#2 Check Assembly Repair Kit, 2-1/2" - 4" 350ASTDA

Item No.	Repair Kit Description
	6"
RK6-350	Standard Repair Kit, 6" 350ASTDA
RK6-350DA	Main and Bypass Rubber Repair Kit 6" 350ASTDA
RK6-350ASTCK1	#1 Check Assembly Repair Kit, 6" 350ASTDA
RK6-350ASTDACK2	#2 Check Assembly Repair Kit, 6" 350ASTDA
BRK6-SSLBF-SEAT1RTNR	Bulk #1 Seat Retainer Repair Kit, 6" 350ASTDA
BRK6-SSLBF-SEAT2RTNR	Bulk #2 Seat Retainer Repair Kit, 6" 350ASTDA
	8"
RK8-350ASTCK1	#1 Check Assembly Repair Kit, 8" 350ASTDA
	8" and 10"
RK8-350	Standard Repair Kit, 8" and 10" 350ASTDA
RK8-350DA	Main and Bypass Rubber Repair Kit 8" and 10" 350ASTDA
RK8-350ASTDACK2	#2 Check Assembly Repair Kit, 8" and 10" 350ASTDA
RK8-350-COVRPLATE	Cover Plate Repair Kit, 8" and 10" 350ASTDA
	10"
RK10-350ASTCK1	#1 Check Assembly Repair Kit, 10" 350ASTDA

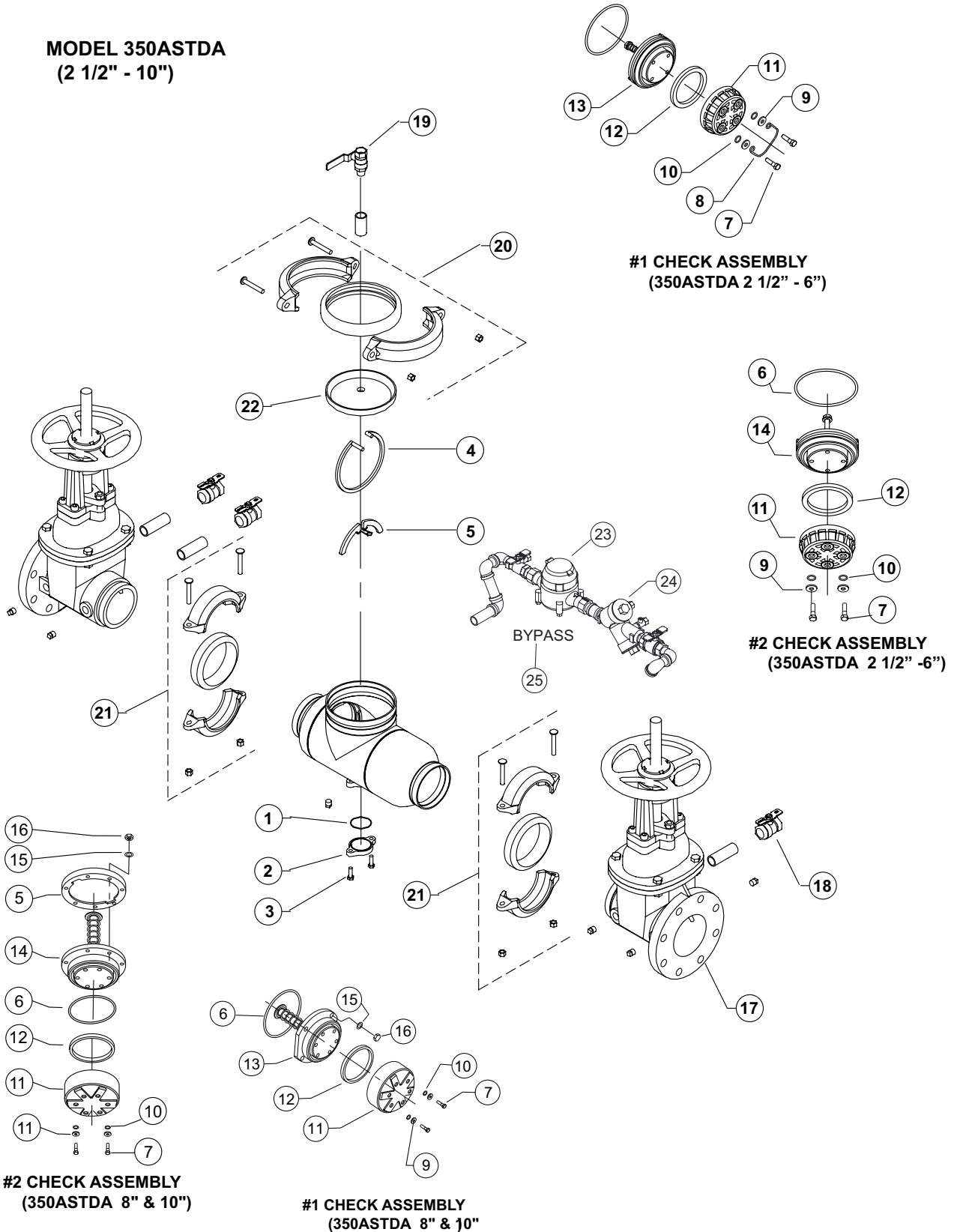
MODEL 350ASTDA

Stainless Steel Double Check Detector Assembly – Backflow Preventers 2-1/2" to 10"

Parts Drawing



MODEL 350ASTDA
(2 1/2" - 10")



MODEL 450DA

Double Check Detector Assembly – Backflow Preventers 4" to 10"



Repair Kit Components		4"						4" and 6"	6"						8" and 10"						
Size Range		RK4-350	RK4-350DA	RK4-350CK1	RK4-350CK2	RK4-LBF-VALVE-COVER	BRK4-LBF-SEATIRTNR	BRK4-LBF-SEAT2RTNTR	RK212-450-COVERPLATE	RK6-350	RK6-350DA	RK6-350CK1	RK6-350CK2	RK6-LBF-VALVE-COVER	BRK6-LBF-SEATIRTNR	BRK6-LBF-SEAT2RTNTR	RK8-350	RK8-350DA	RK8-350CK1	RK8-450DACK2	RK8-350-COVERPLATE
4"		•	•	•	•	•	•	•	•												
6"									•	•	•	•	•	•	•						
8"																•	•	•	•	•	•
10"																•	•	•	•	•	•
Item #	Item Description																				
1	Cover Plate							•													•
2	O-Ring, Cover Plate							•													•
3	Bolt, Cover Plate							•(x2)													•(x2)
4	Seat Retainer #1			•			•(x6)				•				•(x6)				•(x4)	•(x7)	
5	Seat Retainer #2				•			•(x6)				•				•(x6)					
6	O-Ring, Seat	•(x2)	•(x2)	•	•				•(x2)	•(x2)	•	•					•(x2)	•(x2)	•	•	
7	Bolt, Poppet Retainer			•(x4)	•(x4)						•(x4)	•(x4)							•(x6)	•(x6)	
8	Handle, #1 Poppet Assembly										•										
9	Washer, Poppet Retainer			•(x4)	•(x4)						•(x4)	•(x4)							•(x6)	•(x6)	
10	O-Ring, Poppet Retainer	•(x8)	•(x8)	•(x4)	•(x4)				•(x8)	•(x8)	•(x4)	•(x4)					•(x12)	•(x12)	•(x6)	•(x6)	
11	Poppet Retainer			•	•						•	•							•	•	
12	Seal Ring	•(x2)	•(x2)	•	•				•(x2)	•(x2)	•	•					•(x2)	•(x2)	•	•	
13	Seat Assembly #1 Poppet				•						•								•	•	
14	Seat Assembly #2 Poppet				•							•									
15	Washer, Seat																		•(x4)	•(x7)	
	Bypass Rubber Repair Kit		•							•								•			

Whole Goods (Available for individual sale)					
Item #	Item Description	4"	6"	8"	10"
16	Gate Valve, OS&Y (GxG)	4-48OSYG	6-48OSYG	8-48OSYG	10-48OSY
	Gate Valve, OS&Y (GxF)	4-48OSYGXF	6-48OSYGXF	8-48OSYGXF	10-48OSYGXF
	Gate Valve, Post Indicator (GxG)	4-48PIVG	6-48PIVG	8-48PIVG	10-48PIVG
	Gate Valve, Post Indicator (GxF)	4-48PIVGXF	6-48PIVGXF	8-48PIVGXF	10-48PIVGXF
	Butterfly Valve (GxG)	4-49G	6-49G	8-49G	10-49G
	Butterfly Valve (GxF)	4-49GXF	6-49GXF	8-49GXF	10-49GXF
17	Ball Valve, FxF	12-850XL	34-850XL	34-850XL	34-850XL
18	Cover Retainer Assembly	6-23	8-23	12-23	12-23
19	Grooved Coupling	4-23	6-23	8-23	10-23
20	Cover	RK4-LBF-VALVE-COVER	RK6-LBF-VALVE-COVER		RK8-LBF-VALVE-COVER
21	Bulkhead Fitting	BHFICXL-100		BHF2BXL-100	
22	Sensing Line Bulkhead Fitting		BHFIBXL-100		BHF2CXL-100
23	Water Meter			557-54XL	
24	Bypass Valve			34-950XLD	
25	Bypass Assembly	RK4-450DA-BP-LM	RK6-450DA-BP-LM		RK8-450DA-BP-LM
	Bypass Rubber Repair Kit			RK34-950XLR	

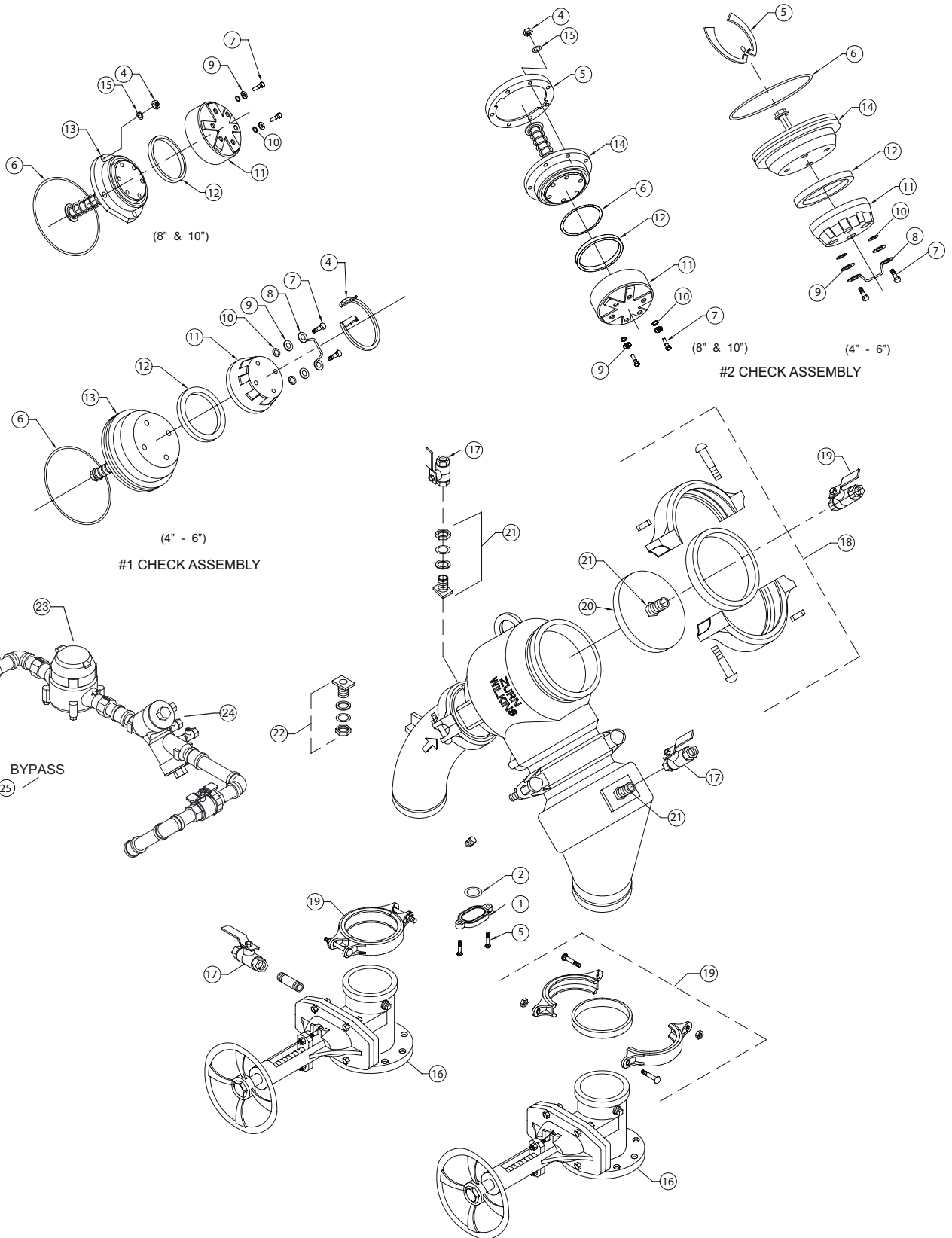
Item No.	Repair Kit Description
4"	
RK4-350	Standard Repair Kit, 2-1/2" - 4" 450DA
RK4-350DA	Main and Bypass Rubber Repair Kit 2-1/2" - 4" 450DA
RK4-350CK1	#1 Check Assembly Repair Kit, 2-1/2" - 4" 450DA
RK4-350CK2	#2 Check Assembly Repair Kit, 2-1/2" - 4" 450DA
RK4-LBF-VALVE-COVER	Valve Cover Repair Kit, 2-1/2" - 4" 450DA
BRK4-LBF-SEATIRTNR	Bulk #1 Seat Retainer Repair Kit, 2-1/2" - 4" 450DA
BRK4-LBF-SEAT2RTNTR	Bulk #2 Seat Retainer Repair Kit, 2-1/2" - 4" 450DA
4" and 6"	
RK212-450-COVERPLATE	Cover Plate Repair Kit, 4" - 6" 450DA

Item No.	Repair Kit Description
6"	
RK6-350	Standard Repair Kit, 6" 450DA
RK6-350DA	Main and Bypass Rubber Repair Kit 6" 450DA
RK6-350CK1	#1 Check Assembly Repair Kit, 6" 450DA
RK6-350CK2	#2 Check Assembly Repair Kit, 6" 450DA
RK6-LBF-VALVE-COVER	Valve Cover Repair Kit, 6" 450DA
BRK6-LBF-SEATIRTNR	Bulk #1 Seat Retainer Repair Kit, 6" 450DA
BRK6-LBF-SEAT2RTNTR	Bulk #2 Seat Retainer Repair Kit, 6" 450DA
8" and 10"	
RK8-350	Standard Repair Kit, 8" and 10" 450DA
RK8-350DA	Main and Bypass Rubber Repair Kit 8" and 10" 450DA
RK8-350CK1	#1 Check Assembly Repair Kit, 8" and 10" 450DA
RK8-450DACK2	#2 Check Assembly Repair Kit, 8" and 10" 450DA
RK8-350-COVERPLATE	Cover Plate Repair Kit, 8" and 10" 450DA

MODEL 450DA

Double Check Detector Assembly – Backflow Preventers 4" to 10"

Parts Drawing



MODEL 450STDA

Stainless Steel Double Check Detector Assembly – 4" to 10"



Repair Kit Components		4"					4" and 6"	6"					8" and 10"				
Size Range		RK4-350	RK4-350DA	RK4-450STCK4	RK4-450STDACK2	BRK4-SSLBF-SEATIRTNR	RK4-350AST-COVRPLATE	RK6-350	RK6-350DA	RK6-450STCK4	RK6-450STDACK2	BRK6-SSLBF-SEATIRTNR	RK8-350	RK8-350DA	RK8-350-COVRPLATE	RK8-450STCK1	RK8-450STDACK2
4"		•	•	•	•	•	•										
6"							•	•	•	•	•						
8"												•	•	•	•	•	•
10"												•	•	•	•	•	•
Item #	Item Description																
1	O-Ring, Cover Plate						•								•		
2	Cover Plate						•								•		
3	Bolt, Cover Plate						•(x2)								•(x2)		
4	Seat Retainer			•	•	•(x6)			•	•	•(x6)						
5	O-Ring, Seat	•(x2)	•(x2)	•	•			•(x2)	•(x2)	•	•		•(x2)	•(x2)		•	•
6	Bolt, Poppet Retainer			•(x4)	•(x4)				•(x4)	•(x4)					•(x6)	•(x6)	
7	Handle, Poppet Assembly			•	•				•	•					•	•	
8	Washer			•(x4)	•(x4)				•(x4)	•(x4)					•(x6)	•(x6)	
9	O-Ring, Retainer	•(x8)	•(x8)	•(x4)	•(x4)			•(x8)	•(x8)	•(x4)	•(x4)		•(x12)	•(x12)	•(x6)	•(x6)	
10	Poppet Retainer			•	•				•	•					•	•	
11	Seal Ring	•(x2)	•(x2)	•	•			•(x2)	•(x2)	•	•		•(x2)	•(x2)	•	•	
12	Seat Assembly			•	•				•	•					•	•	
13	Washer, Seat Retainer														•(x4)	•(x4)	
14	Nut, Seat Retainer														•(x4)	•(x4)	
	Bypass Rubber Repair Kit		•						•				•				

Whole Goods (Available for individual sale)

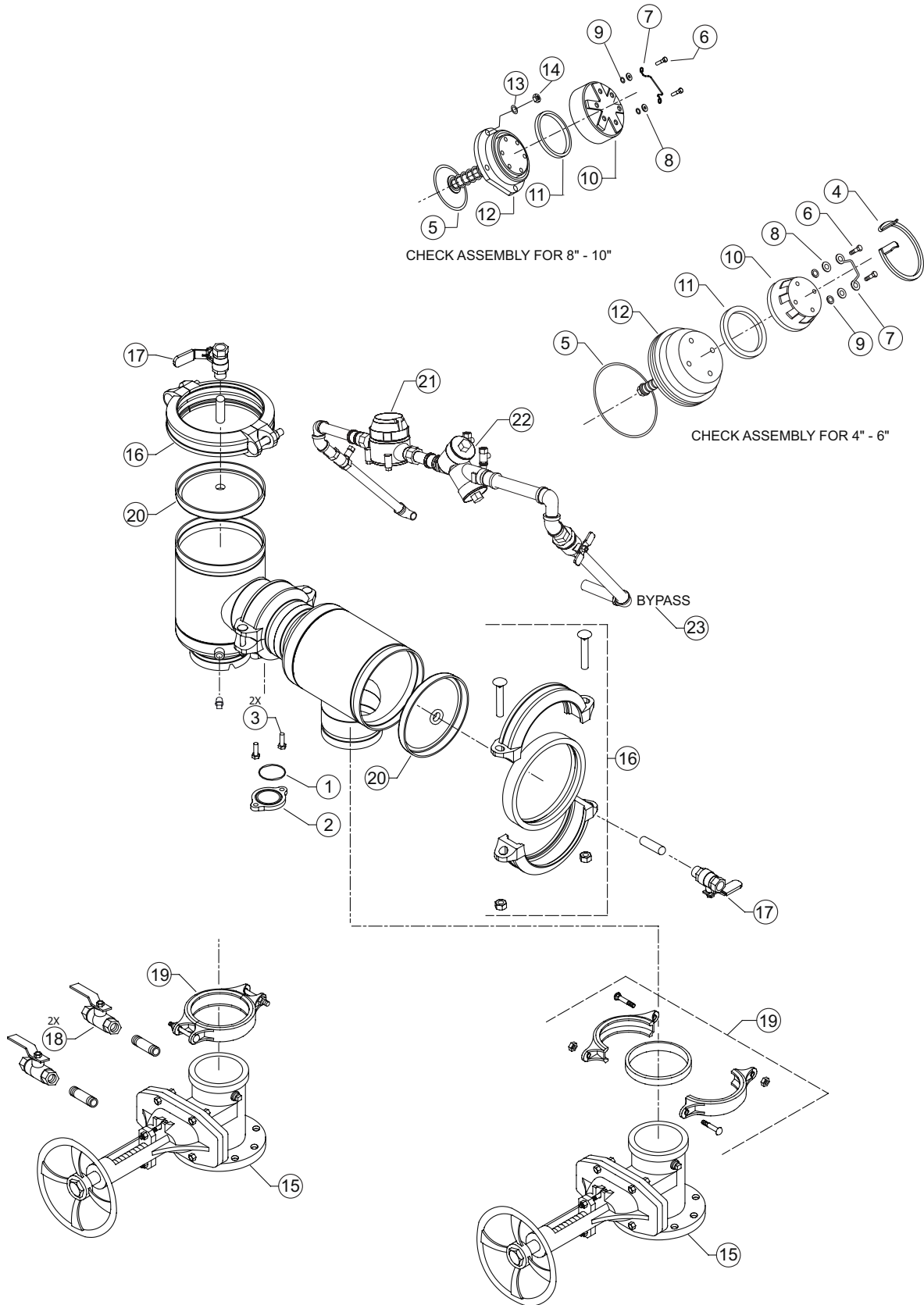
Item #	Item Description	4"	6"	8"	10"
15	Gate Valve, OS&Y (GxG)	4-480SYG	6-480SYG	8-480SYG	10-480SYG
	Gate Valve, OS&Y (GxF)	4-480SYGXF	6-480SYGXF	8-480SYGXF	10-480SYGXF
	Gate Valve, PI (GxG)	4-48PIVG	6-48PIVG	8-48PIVG	10-48PIVG
	Gate Valve, PI (GxF)	4-48PIVGXF	6-48PIVGXF	8-48PIVGXF	10-48PIVGXF
	Butterfly Valve (GXG)	4-49G	6-49G	8-49G	10-49G
	Butterfly Valve (GXF)	4-49GXF	6-49GXF	8-49GXF	10-49GXF
16	Grooved Coupling, Cover	6-23	8-23	12-23	12-23
17	Ball Valve, Cover	12-850MXL		34-850XL	
18	Ball Valve, Shut Off Valve	12-850XL		34-850XL	
19	Grooved Coupling, Body	4-23	6-23	8-23	10-23
20	Cover	3509ST-3	3510ST-3		
21	Water Meter				3511ST-3
22	Bypass Valve			557-54XL 34-950XLD	
23	Bypass Assembly, 450ST	RK4-450STDA-BP-LM	RK6-450STDA-BP-LM	RK8-450STDA-BP-LM	RK10-450STDA-BP-LM
	Bypass Assembly, 450STR	RK4-450STDAR-BP-LM	RK6-450STDAR-BP-LM	RK8-450STDAR-BP-LM	RK10-450STDAR-BP-LM
	Bypass Rubber Repair Kit			RK34-950XLR	

Item No.	Repair Kit Description
4"	
RK4-350	Rubber Repair Kit, 4" 450STDA
RK4-350DA	Complete Rubber Repair Kit, 4" 450STDA
RK4-450STCK4	#1 Check Assembly Repair Kit, 4" 450STDA
RK4-450STDACK2	#2 Check Assembly Repair Kit, 4" 450STDA
BRK4-SSLBF-SEATIRTNR	Bulk Seat Retainer Repair Kit, 4" 450STDA
4" and 6"	
RK4-350AST-COVRPLATE	Cover Plate Repair Kit, 4" and 6" 450STDA
6"	
RK6-350	Rubber Repair Kit, 6" 450STDA
RK6-350DA	Complete Rubber Repair Kit, 6" 450STDA
RK6-450STCK4	#1 Check Assembly Repair Kit, 6" 450STDA
RK6-450STDACK4	#2 Check Assembly Repair Kit, 6" 450STDA
BRK6-SSLBF-SEATIRTNR	Bulk Seat Retainer Repair Kit, 6" 450STDA
8" and 10"	
RK8-350	Rubber Repair Kit, 8" and 10" 450STDA
RK8-350DA	Complete Rubber Repair Kit, 8" and 10" 450STDA
RK8-350-COVRPLATE	Cover Plate Repair Kit, 8" and 10" 450STDA
RK8-450STCK1	#1 Check Assembly Repair Kit, 8" and 10" 450STDA
RK8-450STDACK2	#2 Check Assembly Repair Kit, 8" and 10" 450STDA

MODEL 450STDA

Stainless Steel Double Check Detector Assembly – 4" to 10"

Parts Drawing



MODEL 375DA



Reduced Pressure Detector Assembly – Backflow Preventers 2-1/2" to 3"

Repair Kit Components		2-1/2"	2-1/2" and 3"									3"
Item #	Item Description	212-BK	RK212-350	RK212-350DA	RK212-375DAC	RK212-375CK1	RK212-350DACK2	RK212-RV375-HOSE	RK212-RV-ASSY	BRK212-300-SEAT1-RTNR	BRK212-300-SEAT2-RTNR	3-BK
1	Bolt, Flange	•(x8)										•(x8)
2	Nut, Flange	•(x8)										•(x8)
3	Gasket, Flange	•(x2)										•(x2)
4	O-Ring, Relief Valve								•			
5	Relief Valve Assembly								•			
6	Bolt, Relief Valve								•(x2)			
7	Seat Retainer #1					•				•(x6)		
8	Seat Retainer #2						•				•(x6)	
9	O-Ring, Seat		•(x2)	•(x2)	•(x2)	•	•					
10	Nut, Poppet Retainer					•	•					
11	Washer, #1 Check					•						
12	Washer, #2 Check						•					
13	O-Ring, Stem		•(x2)	•(x2)	•(x2)	•	•					
14	Poppet Retainer					•	•					
15	Seal Ring		•(x2)	•(x2)	•(x2)	•	•					
16	Seat Assembly, #1 Poppet					•						
17	Seat Assembly, #2 Poppet						•					
18	Sensing Tube Fitting, Relief Valve Cover							•	•			
19	Sensing Tube Fitting, Body							•				
20	Sensing Tube							•				
	Bypass Rubber Repair Kit			•	•							
	Relief Valve Rubber Repair Kit				•							

Whole Goods (Available for individual sale)

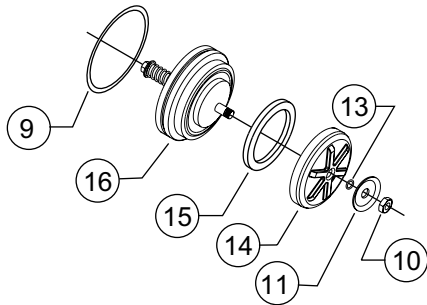
Item #	Item Description	2-1/2"	3"
21	Gate Valve, OS&Y (FxF)	212-48OSY	3-48OSY
	Gate Valve, OS&Y (GxF)	212-48OSYGXF	3-48OSYGXF
	Gate Valve, Post Indicator (FxF)	212-48PIV	3-48PIV
	Gate Valve, Post Indicator (GxF)	212-48PIVGXF	3-48PIVGXF
	Butterfly Valves (GxF)	212-49GXF	3-49GXF
22	Ball Valve, FxF	12-850XL	12-850XL
23	Ball Valve, MxF	12-850MXL	12-850MXL
24	Cover Retainer Assembly		6-23
25	Bulkhead Fitting		BHFICXL-100
26	Sensing Bulkhead Fitting		BHFIBXL-100
27	Cover		RK212-LBF-VLV-COVER
28	Water Meter		557-54XL
29	Bypass Valve		34-975XLD
30	Bypass Assembly		RK212-375DA-BP-LM
	Bypass Rubber Repair Kit		RK34-975XLR
	Relief Valve Rubber Repair Kit		RK212-375R

Item No.	Repair Kit Description
212-BK	Flanged Kit, 2-1/2"
	2-1/2" and 3"
RK212-350	Main Valve Rubber Repair Kit, 2-1/2" and 3" 375DA
RK212-350DA	Main Valve and Bypass Rubber Repair Kit, 2-1/2" and 3" 375DA
RK212-375DAC	Complete Rubber Repair Kit, 2-1/2" and 3" 375DA
RK212-375CK1	First Check Assembly Repair Kit, 2-1/2" and 3" 375DA
RK212-350DACK2	Second Check Assembly Repair Kit, 2-1/2" and 3" 375DA
RK212-RV375-HOSE	Relief Valve Hose Repair Kit, 2-1/2" and 3" 375DA
RK212-RV-ASSY	Complete Relief Valve Repair Kit, 2-1/2" and 3" 375DA
BRK212-300-SEAT1-RTNR	#1 Check Seat Retainer Bulk Kit, 2-1/2" and 3" 375DA
BRK212-300-SEAT2-RTNR	#2 Check Seat Retainer Bulk Kit, 2-1/2" and 3" 375DA
	3"
3-BK	Flanged Kit, 3"

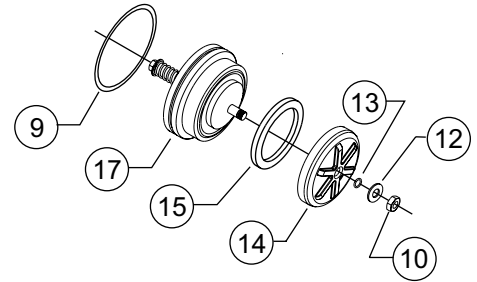
MODEL 375DA

Reduced Pressure Detector Assembly – Backflow Preventers 2-1/2" to 3"

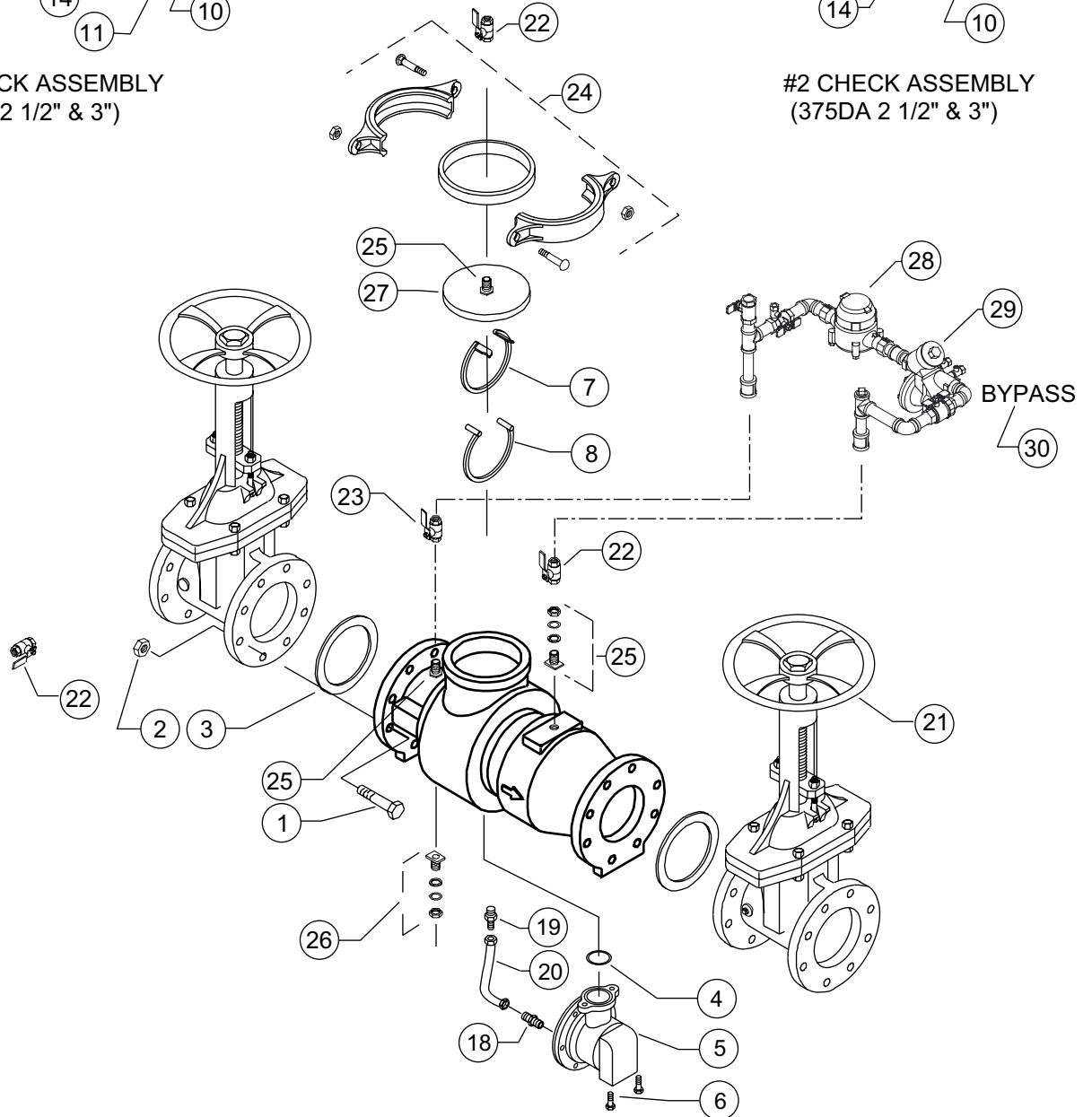
Parts Drawing



#1 CHECK ASSEMBLY
(375DA 2 1/2" & 3")



#2 CHECK ASSEMBLY
(375DA 2 1/2" & 3")



MODEL 375DA
(2 1/2"-3")

MODEL 375DA



Reduced Pressure Detector Assembly – Backflow Preventers 4" to 10"

Repair Kit Components		4"								4" and 6"		6"						8"		8" and 10"						10"					
Size Range		4-BK	RK4-RV-HOSE	RK4-350	RK4-350DA	RK4-375DAC	RK4-375CK1	RK4-350CK2	BRK4-LBF-SEAT1RTNR	BRK4-LBF-SEAT2RTNR	RK212-RV-ASSY	6-BK	RK6-350	RK6-350DA	RK6-375DAC	RK6-375CK1	RK6-350CK2	BRK6-LBF-SEAT1RTNR	BRK6-LBF-SEAT2RTNR	RK6-RV375-HOSE	8-BK	RK8-350	RK8-350DA	RK8-375DAC	RK8-375CK1	RK8-450DACK2	RK8-RV375-HOSE	RK8-RV-ASSY	10-BK		
4"		•	•	•	•	•	•	•	•	•	•	•	•	•	•	•	•	•	•	•	•	•	•	•	•	•	•	•	•	•	
6"											•	•	•	•	•	•	•	•	•	•											
8"																					•	•	•	•	•	•	•	•	•	•	
10"																						•	•	•	•	•	•	•	•	•	
Item #	Item Description																														
1	Bolt, Flange	•(x16)										•(x16)										•(x16)								•(x24)	
2	Nut, Flange	•(x16)										•(x16)										•(x16)								•(x24)	
3	Gasket, Flange	•(x2)										•(x2)										•(x2)								•(x2)	
4	O-Ring, Relief Valve										•																			•	
5	Relief Valve Assembly										•																			•	
6	Bolt, Relief Valve										•(x2)																			•(x2)	
7	Seat Retainer #1								•(x6)							•		•(x6)							•(x4)	•(x7)					
8	Seat Retainer #2							•(x2)	•(x12)								•(x2)		•(x12)												
9	O-Ring, Seat		•(x2)	•(x2)	•(x2)	•	•					•(x2)	•(x2)	•(x2)	•	•						•(x2)	•(x2)	•(x2)							
10	Bolt, Poppet Retainer					•(x4)	•(x4)								•(x4)	•(x4)								•(x6)	•(x6)						
11	Handle, #1 Poppet Assembly					•									•										•(x6)	•(x6)					
12	Washer, Poppet Bolt					•(x4)	•(x4)								•(x4)	•(x4)								•(x6)	•(x6)						
13	O-Ring, Poppet Bolt		•(x8)	•(x8)	•(x8)	•(x4)	•(x4)					•(x8)	•(x8)	•(x8)	•(x4)	•(x4)						•(x12)	•(x12)	•(x12)	•(x6)	•(x6)					
14	Poppet Retainer					•	•								•	•								•	•						
15	Seal Ring		•(x2)	•(x2)	•(x2)	•	•					•(x2)	•(x2)	•(x2)	•	•						•(x2)	•(x2)	•(x2)	•	•					
16	Seat Assembly, #1 Poppet					•									•										•						
17	Seat Assembly, #2 Poppet					•									•										•						
18	Sensing Tube Fitting	•									•										•								•		
19	Pilot Tube Assembly	•																			•								•		
20	Sensing Tube	•																			•								•		
21	Washer, Seat Retainer																							•(x4)	•(x7)						
	Bypass Rubber Repair Kit				•	•							•	•										•	•						
	Relief Valve Rubber Repair Kit, 2-1/2" - 6"					•								•																	
	Relief Valve Rubber Repair Kit, 8" and 10"																							•							

Whole Goods (Available for individual sale)					
Item #	Item Description	4"	6"	8"	10"
22	Gate Valve, OS&Y (FxF)	4-480SY	6-480SY	8-480SY	10-480SY
	Gate Valve, OS&Y (GXF)	4-480SYGXF	6-480SYGXF	8-480SYGXF	10-480SYGXF
	Gate Valve, Post Indicator (FxF)	4-48PIV	6-48PIV	8-48PIV	10-48PIV
	Gate Valve, Post Indicator (GXF)	4-48PIVGXF	6-48PIVGXF	8-48PIVGXF	10-48PIVGXF
	Butterfly Valve (GxF)	4-49GXF	6-49GXF	8-49GXF	10-49GXF
23	Ball Valve, FxF	12-850XL		34-850XL	
24	Ball Valve, MxF	12-850MXL		34-850MXL	
25	Cover Retainer Assembly	6-23	8-23		12-23
26	Grooved Coupling	4-23	6-23	8-23	10-23
27	Bulkhead Fitting		BHF1CX100		BHF2BXL100
28	Sensing Line Bulkhead Fitting		BHF1BXL100		BHF2CX100
29	Cover	RK4-LBF-VALVE-COVER	RK6-LBF-VALVE-COVER	RK8-LBF-VALVE-COVER	RK8-LBF-VALVE-COVER
30	Water Meter			557-54XL	
31	Bypass Valve			34-975XLD	
32	Bypass Assembly	RK4-375DA-BP-LM	RK6-375DA-BP-LM		RK8-375DA-BP-LM
	Bypass Rubber Repair Kit			RK34-975XLR	
	Relief Valve Rubber Repair Kit		RK212-375R		RK8-375R

Item No.	Repair Kit Description
4"	
4-BK	Flanged Kit, 4"
RK4-RV-HOSE	Braided Hose Repair Kit, 4" 375DA
RK4-350	Standard Repair Kit, 4" 375DA
RK4-350DA	Main and Bypass Rubber Repair Kit 4" 375DA
RK4-375DAC	Complete Rubber Repair Kit 4" 375DA
RK4-375CK1	#1 Check Assembly Repair Kit, 4" 375DA
RK4-350CK2	#2 Check Assembly Repair Kit, 4" 375DA
BRK4-LBF-SEAT1RTNR	Bulk #1 Seat Retainer Repair Kit, 4" 375DA
BRK4-LBF-SEAT2RTNR	Bulk #2 Seat Retainer Repair Kit, 4" 375DA
4" and 6"	
RK212-RV-ASSY	Relief Valve Assembly Repair Kit, 4" - 6" 375DA

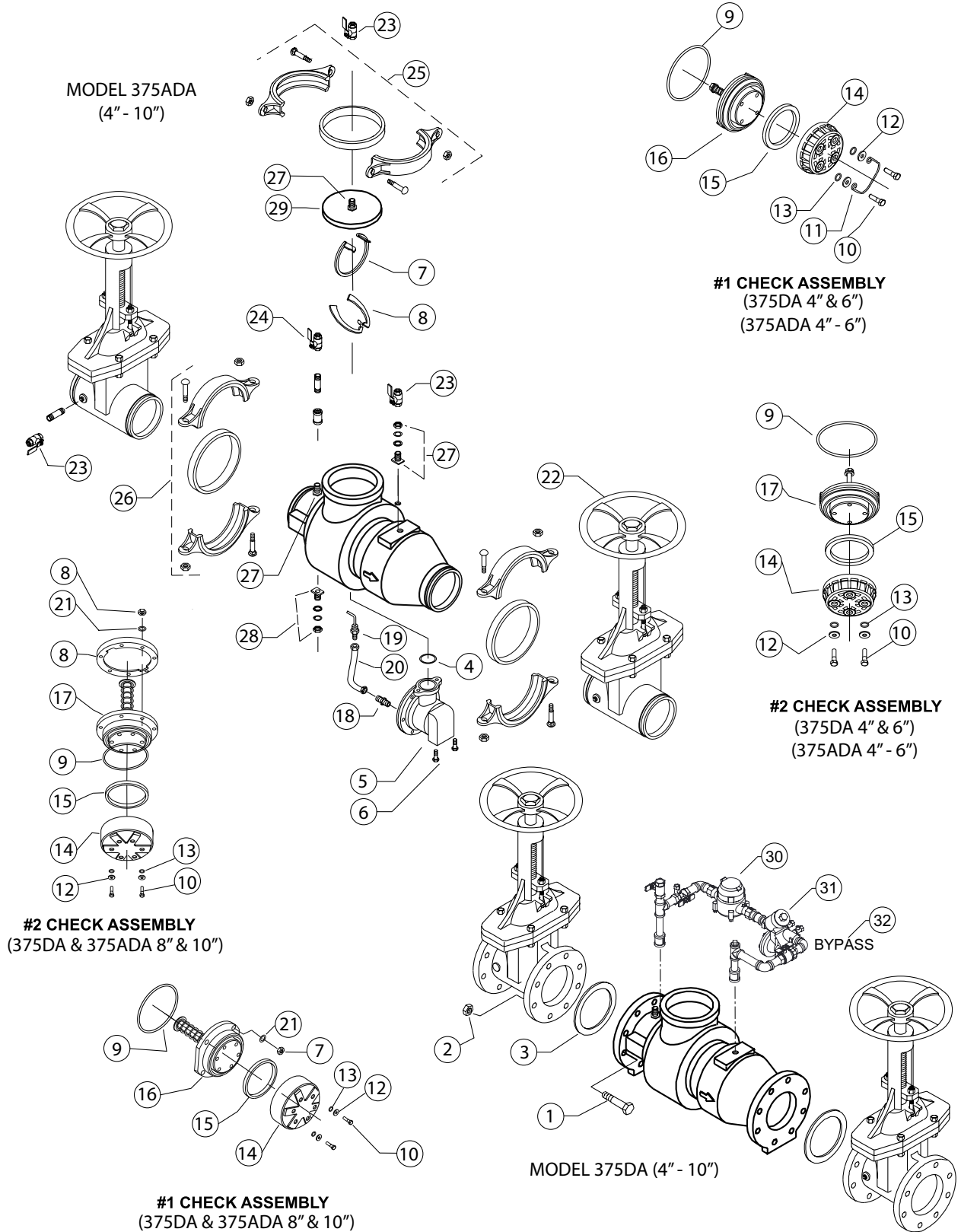
Item No.	Repair Kit Description
6"	
6-BK	Flanged Kit, 6"
RK6-350	Standard Repair Kit, 6" 375DA
RK6-350DA	Main and Bypass Rubber Repair Kit 6" 375DA
RK6-350DAC	Complete Rubber Repair Kit, 6" 375DA
RK6-375CK1	#1 Check Assembly Repair Kit, 6" 375DA
RK6-350CK2	#2 Check Assembly Repair Kit, 6" 375DA
BRK6-LBF-SEAT1RTNR	Bulk #1 Seat Retainer Repair Kit, 6" 375DA
BRK6-LBF-SEAT2RTNR	Bulk #2 Seat Retainer Repair Kit, 6" 375DA
RK6-RV375-HOSE	Braided Hose Repair Kit, 6" 375DA
8"	
8-BK	Flanged Kit, 8"

Item No.	Repair Kit Description
8" and 10"	
RK8-350	Standard Repair Kit, 8" and 10" 375DA
RK8-350DA	Main and Bypass Rubber Repair Kit 8" and 10" 375DA
RK8-375DAC	Complete Rubber Repair Kit, 8" and 10" 375DA
RK8-375CK1	#1 Check Assembly Repair Kit, 8" and 10" 375DA
RK8-450DACK2	#2 Check Assembly Repair Kit, 8" and 10" 375DA
RK8-RV375-HOSE	Braided Hose Repair Kit, 8" and 10" 375DA
RK8-RV-ASSY	Relief Valve Assembly Repair Kit, 8" and 10" 375DA
10"	
10-BK	Flanged Kit, 10"

MODEL 375DA

Reduced Pressure Detector Assembly – Backflow Preventers 4" to 10"

Parts Drawing



MODEL 375ADA
(4" - 10")

#1 CHECK ASSEMBLY
(375DA 4" & 6")
(375ADA 4" - 6")

#2 CHECK ASSEMBLY
(375DA & 375ADA 8" & 10")

#2 CHECK ASSEMBLY
(375DA 4" & 6")
(375ADA 4" - 6")

#1 CHECK ASSEMBLY
(375DA & 375ADA 8" & 10")

MODEL 375DA (4" - 10")

MODEL 375ADA



Reduced Pressure Detector Assembly – Backflow Preventers 2-1/2" to 10"

Repair Kit Components		2-1/2" - 4"						2-1/2" - 6"		6"				8" and 10"										
Size Range	RK212-RV375A-HOSE	RK4-350	RK4-350DA	RK4-375DAC	RK4-375CK1	RK4-350CK2	BRK4-LBF-SEATIRTNR	BRK4-LBF-SEAT2RTNR	RK212-RV-ASSY	RK6-350	RK6-350DA	RK6-375DAC	RK6-375CK1	RK6-350CK2	BRK6-LBF-SEATIRTNR	BRK6-LBF-SEAT2RTNR	RK6-RV375A-HOSE	RK8-350	RK8-350DA	RK8-375DAC	RK8-375CK1	RK8-450DACK2	RK8-RV375A-HOSE	RK8-RV-ASSY
2-1/2"	•	•	•	•	•	•	•	•	•															
3"	•	•	•	•	•	•	•	•	•															
4"	•	•	•	•	•	•	•	•	•															
6"									•	•	•	•	•	•	•	•	•							
8"																		•	•	•	•	•	•	•
10"																		•	•	•	•	•	•	•
Item #	Item Description																							
1	Bolt, Flange																							
2	Nut, Flange																							
3	Gasket, Flange																							
4	O-Ring, Relief Valve								•															•
5	Relief Valve Assembly								•															•
6	Bolt, Relief Valve								•(x2)															•(x2)
7	Seat Retainer #1						•(x6)					•			•(x6)						•(x4)	•(x7)		
8	Seat Retainer #2						•(x2)	•(x12)							•(x2)	•(x12)								
9	O-Ring, Seat	•(x2)	•(x2)	•(x2)	•	•				•(x2)	•(x2)	•(x2)	•	•				•(x2)	•(x2)	•(x2)				
10	Bolt, Poppet Retainer					•(x4)	•(x4)															•(x6)	•(x6)	
11	Handle, #1 Poppet Assembly					•																		
12	Washer, Poppet Bolt					•(x4)	•(x4)															•(x6)	•(x6)	
13	O-Ring, Poppet Bolt	•(x8)	•(x8)	•(x8)	•(x4)	•(x4)				•(x8)	•(x8)	•(x8)	•(x4)	•(x4)				•(x12)	•(x12)	•(x12)	•(x6)	•(x6)		
14	Poppet Retainer					•	•															•	•	
15	Seal Ring	•(x2)	•(x2)	•(x2)	•	•				•(x2)	•(x2)	•(x2)	•	•				•(x2)	•(x2)	•(x2)	•	•		
16	Seat Assembly, #1 Poppet					•																•		
17	Seat Assembly, #2 Poppet					•																	•	
18	Sensing Tube Fitting	•							•									•						•
19	Pitot Tube Assembly	•																•						•
20	Sensing Tube	•																•						•
21	Washer, Seat Retainer																					•(x4)	•(x7)	
	Bypass Rubber Repair Kit			•	•						•	•							•	•				
	Relief Valve Rubber Repair Kit			•							•									•				

Whole Goods (Available for individual sale)							
Item #	Item Description	2-1/2"	3"	4"	6"	8"	10"
22	Gate Valve, OS&Y (GXG)	212-480SYG	3-480SYG	4-480SYG	6-480SYG	8-480SYG	10-480SYG
	Gate Valve, OS&Y (GXF)	212-480SYGXF	3-480SYGXF	4-480SYGXF	6-480SYGXF	8-480SYGXF	10-480SYGXF
	Gate Valve, Post Indicator (GxG)	212-48G	3-48G	4-48G	6-48G	8-48G	10-48G
	Gate Valve, Post Indicator (GxF)	212-48GXF	3-48GXF	4-48GXF	6-48GXF	8-48GXF	10-48GXF
	Butterfly Valve (GxG)	212-49G	3-49G	4-49G	6-49G	8-49G	10-49G
	Butterfly Valve (GxF)	212-49GXF	3-49GXF	4-49GXF	6-49GXF	8-49GXF	10-49GXF
23	Ball Valve, FxF		12-850XL			34-850XL	
24	Ball Valve, MxF		12-850MXL			34-850MXL	
25	Cover Retainer Assembly		6-23		8-23	12-23	
26	Grooved Coupling	4X212-23	4X3-23	4-23	6-23	8-23	10-23
27	Bulkhead Fitting			BHFICXL-100			BHF2BXL-100
28	Sensing Line Bulkhead Fitting			BHFIBXL-100			BHF2CXL-100
29	Cover		RK4-LBF-VALVE-COVER		RK6-LBF-VALVE-COVER		RK8-LBF-VALVE-COVER
30	Water Meter				557-54XL		
31	Bypass Valve				34-975XLD		
32	Bypass Assembly		RK4-375DA-BP-LM		RK6-375DA-BP-LM		RK8-375DA-BP-LM
	Bypass Rubber Repair Kit				RK34-975XLR		
	Relief Valve Rubber Repair Kit				RK212-375R		RK8-375R

Item No.	Repair Kit Description
RK212-RV375A-HOSE	Braided Hose Repair Kit, 2-1/2" - 4" 375ADA
RK4-350	Standard Repair Kit, 2-1/2" - 4" 375ADA
RK4-350DA	Main and Bypass Rubber Repair Kit 2-1/2" - 4" 375ADA
RK4-375DAC	Complete Rubber Repair Kit 2-1/2" - 4" 375ADA
RK4-375CK1	#1 Check Assembly Repair Kit, 2-1/2" - 4" 375ADA
RK4-350CK2	#2 Check Assembly Repair Kit, 2-1/2" - 4" 375ADA
BRK4-LBF-SEATIRTNR	Bulk #1 Seat Retainer Repair Kit, 2-1/2" - 4" 375ADA
BRK4-LBF-SEAT2RTNR	Bulk #2 Seat Retainer Repair Kit, 2-1/2" - 4" 375ADA
2-1/2" - 6"	
RK212-RV-ASSY	Relief Valve Assembly Repair Kit, 2-1/2" - 6" 375ADA

Item No.	Repair Kit Description
6"	
RK6-350	Standard Repair Kit, 6" 375ADA
RK6-350DA	Main and Bypass Rubber Repair Kit 6" 375ADA
RK6-375DAC	Complete Rubber Repair Kit, 6" 375ADA
RK6-375CK1	#1 Check Assembly Repair Kit, 6" 375ADA
RK6-350CK2	#2 Check Assembly Repair Kit, 6" 375ADA
BRK6-LBF-SEATIRTNR	Bulk #1 Seat Retainer Repair Kit, 6" 375ADA
BRK6-LBF-SEAT2RTNR	Bulk #2 Seat Retainer Repair Kit, 6" 375ADA
RK6-RV375A-HOSE	Braided Hose Repair Kit, 6" 375ADA

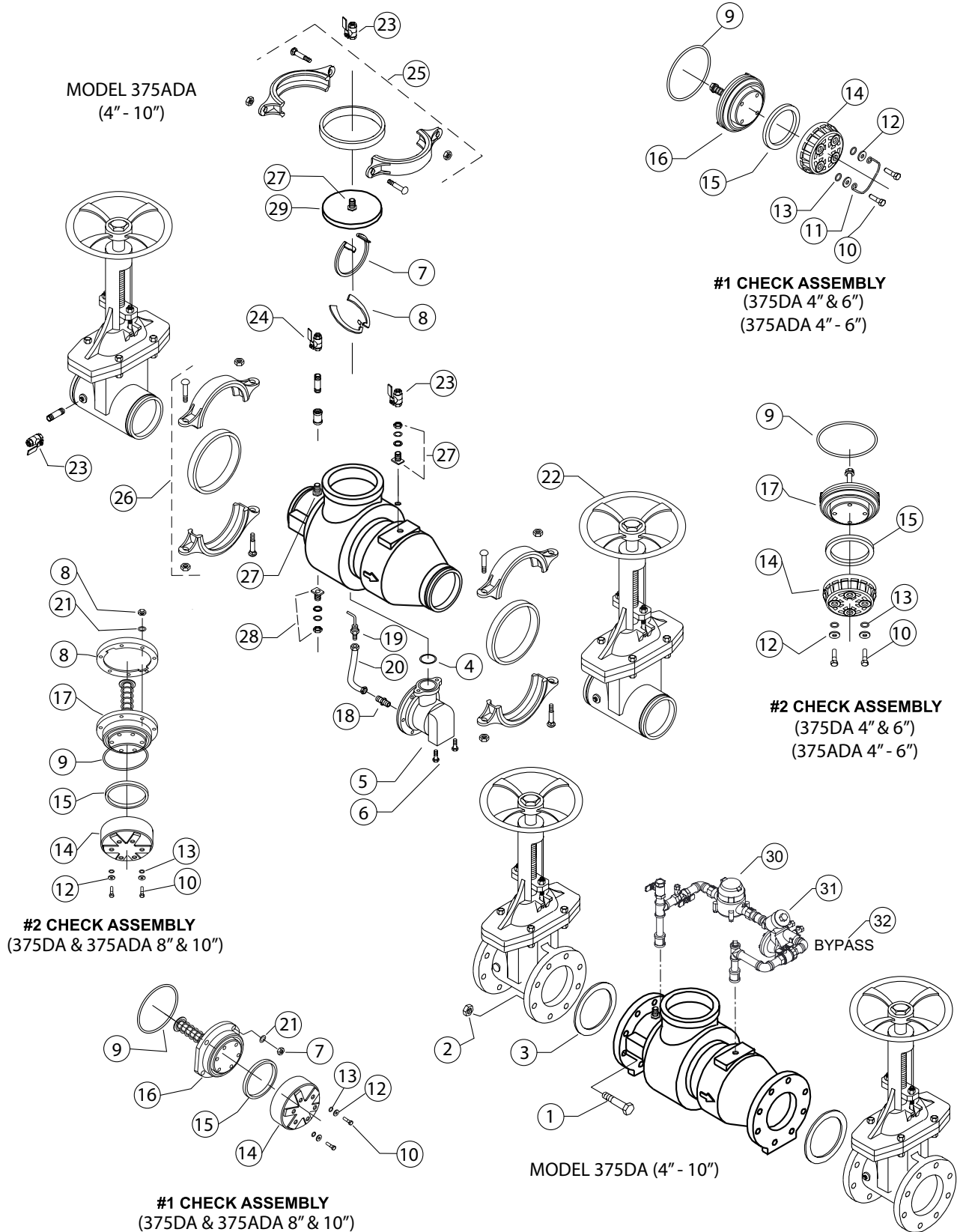
Item No.	Repair Kit Description
8" and 10"	
RK8-350	Standard Repair Kit, 8" and 10" 375ADA
RK8-350DA	Main and Bypass Rubber Repair Kit 8" and 10" 375ADA
RK8-375DAC	Complete Rubber Repair Kit, 8" and 10" 375ADA
RK8-375CK1	#1 Check Assembly Repair Kit, 8" and 10" 375ADA
RK8-450DACK2	#2 Check Assembly Repair Kit, 10" 375ADA
RK8-RV375A-HOSE	Braided Hose Repair Kit, 8" and 10" 375ADA
RK8-RV-ASSY	Relief Valve Assembly Repair Kit, 8" and 10" 375ADA

MODEL 375ADA



Reduced Pressure Detector Assembly – Backflow Preventers 2-1/2" to 10"

Parts Drawing



MODEL 375ASTDA



Stainless Steel Reduced Pressure Detector Assembly – Backflow Preventers 2-1/2" to 10"

Repair Kit Components		2-1/2" 3" and 4"		2-1/2" - 4"				2-1/2" - 6"		6"				8" and 10"													
Size Range		RK212-350ASTDACK2	RK4-350ASTDACK2	RK4-350	RK4-350DA	RK4-375DAC	RK4-375ASTCK1	BRK4-SSLBF-SEATIRTNR	BRK4-SSLBF-SEATZRTNR	RK212-RV375AST-HOSE	RK212-RV-ASSY	RK6-RV375AST-HOSE	RK6-350	RK6-350DA	RK6-375DAC	RK6-375ASTCK1	RK6-350ASTDACK2	BRK6-SSLBF-SEATIRTNR	BRK6-SSLBF-SEATZRTNR	RK8-RV375AST-HOSE	RK8-350	RK8-350DA	RK8-375DAC	RK8-375ASTCK1	RK8-375ASTDACK2	RK8-RV-ASSY	
2-1/2"		•		•	•	•	•	•	•																		
3"			•	•	•	•	•	•	•																		
4"			•	•	•	•	•	•	•																		
6"											•	•	•	•	•	•	•	•	•								
8"																					•	•	•	•	•	•	•
10"																					•	•	•	•	•	•	•
Item #	Item Description																										
1	O-Ring, Relief Valve										•															•	
2	Relief Valve Assembly										•															•	
3	Bolt, Relief Valve									•(x2)																•(x2)	
4	Seat Retainer #2		•(x2)																								
5	Seat Retainer #1						•	•(x6)											•(x6)								
6	O-Ring, Seat	•	•	•(x2)	•(x2)	•(x2)	•	•					•(x2)	•(x2)	•(x2)	•	•	•(x6)									
7	Bolt, Poppet Retainer	•(x4)	•(x4)					•(x4)																	•(x6)	•(x6)	
8	Handle, #1 Poppet Assembly							•																			
9	Washer	•(x4)	•(x4)				•(x4)																		•(x6)	•(x6)	
10	O-Ring, Retainer	•(x4)	•(x4)	•(x8)	•(x8)	•(x8)	•(x4)					•(x8)	•(x8)	•(x8)	•(x4)	•(x4)					•(x12)	•(x12)	•(x12)	•(x6)	•(x6)		
11	Poppet Retainer	•	•				•																		•	•	
12	Seal Ring	•	•	•(x2)	•(x2)	•(x2)	•					•(x2)	•(x2)	•(x2)	•	•					•(x2)	•(x2)	•(x2)	•	•		
13	Seat Assembly, #1 Poppet						•																		•		
14	Seat Assembly, #2 Poppet	•	•																							•	
15	Sensing Tube Fitting									•(x2)	•	•(x2)										•(x2)				•	
16	Sensing Tube									•		•										•					
17	Washer, Seat Retainer																								•(x4)	•(x7)	
18	Nut, Seat Retainer																								•(x4)	•(x7)	
	Bypass Rubber Repair Kit				•	•								•	•						•	•					
	Bypass Assembly																										
	Relief Valve Rubber Repair Kit						•							•									•				

Whole Goods (Available for individual sale)							
Item #	Item Description	2-1/2"	3"	4"	6"	8"	10"
19	Gate Valve, OS&Y (GxG)	212-480SYG	3-480SYG	4-480SYG	6-480SYG	8-480SYG	10-480SYG
	Gate Valve, OS&Y (GxF)	212-480SYGXF	3-480SYGXF	4-480SYGXF	6-480SYGXF	8-480SYGXF	10-480SYGXF
	Gate Valve, Post Indicator (GxG)	212-48PIVG	3-48PIVG	4-48PIVG	6-48PIVG	8-48PIVG	10-48PIVG
	Gate Valve, Post Indicator (GxF)	212-48PIVGXF	3-48PIVGXF	4-48PIVGXF	6-48PIVGXF	8-48PIVGXF	10-48PIVGXF
	Butterfly Valve (GxG)	212-49G	3-49G	4-49G	6-49G	8-49G	10-49G
	Butterfly Valve (GxF)	212-49GXF	3-49GXF	4-49GXF	6-49GXF	8-49GXF	10-49GXF
20	Ball Valve, FxF		12-850XL			34-850XL	
21	Cover Ball Valve		12-850MXL			34-850XL	
22	Cover Retainer Assembly		6-23		8-23		12-23
23	Grooved Coupling	212-23	3-23	4-23	6-23	8-23	10-23
24	Cover		3509ST-3		3510ST-3		3511ST-3
25	Water Meter				557-54XL		
26	Bypass Valve				34-975XLD		
27	Bypass Assembly		RK212-375ASTDA-BP-LM		RK6-375ASTDA-BP-LM	RK8-375ASTDA-BP-LM	RK10-375ASTDA-BP-LM
	Bypass Rubber Repair Kit				RK34-975XLR		
	Relief Valve Rubber Repair Kit			RK212-375R			RK8-375R

Item No.	Repair Kit Description
	2-1/2"
RK212-350ASTDACK2	#2 Seat Assembly Repair Kit, 2-1/2" 375ASTDA
	4" and 6"
RK4-350ASTDACK2	#2 Check Assembly Repair Kit, 4" and 6" 375ASTDA
	2-1/2" - 4"
RK4-350	Standard Repair Kit, 2-1/2" - 4" 375ASTDA
RK4-350DA	Main and Bypass Rubber Repair Kit 2-1/2" - 4" 375ASTDA
RK4-375DAC	Complete Rubber Repair Kit 2-1/2" - 4" 375ASTDA
RK4-375ASTCK1	#1 Check Assembly Repair Kit, 2-1/2" - 4" 375ASTDA
BRK4-SSLBF-SEATIRTNR	Bulk #1 Seat Retainer Repair Kit, 2-1/2" - 4" 375ASTDA
BRK4-SSLBF-SEATZRTNR	Bulk #2 Seat Retainer Repair Kit, 2-1/2" - 4" 375ASTDA
RK212-RV375AST-HOSE	Braided Hose Repair Kit, 2-1/2" - 4" 375ASTDA
	2-1/2" - 6"
RK212-RV-ASSY	Relief Valve Assembly Repair Kit, 2-1/2" - 6" 375ASTDA

Item No.	Repair Kit Description
	6"
RK6-RV375AST-HOSE	Braided Hose Repair Kit, 6" 375ASTDA
RK6-350	Standard Repair Kit, 6" 375ASTDA
RK6-350DA	Main and Bypass Rubber Repair Kit 6" 375ASTDA
RK6-375DAC	Complete Rubber Repair Kit, 6" 375ASTDA
RK6-375ASTCK1	#1 Check Assembly Repair Kit, 6" 375ASTDA
RK6-350ASTDACK2	#2 Check Assembly Repair Kit, 6" 375ASTDA
BRK6-SSLBF-SEATIRTNR	Bulk #1 Seat Retainer Repair Kit, 6" 375ASTDA
BRK6-SSLBF-SEATZRTNR	Bulk #2 Seat Retainer Repair Kit, 6" 375ASTDA
	8" and 10"
RK8-RV375AST-HOSE	Braided Hose Repair Kit, 8" and 10" 375ASTDA
RK8-350	Standard Repair Kit, 8" and 10" 375ASTDA
RK8-350DA	Main and Bypass Rubber Repair Kit 8" and 10" 375ASTDA
RK8-375DAC	Complete Rubber Repair Kit, 8" and 10" 375ASTDA
RK8-375ASTCK1	#1 Check Assembly Repair Kit, 8" and 10" 375ASTDA
RK8-375ASTDACK2	#2 Check Assembly Repair Kit, 10" 375ASTDA
RK8-RV-ASSY	Relief Valve Assembly Repair Kit, 8" and 10" 375ASTDA

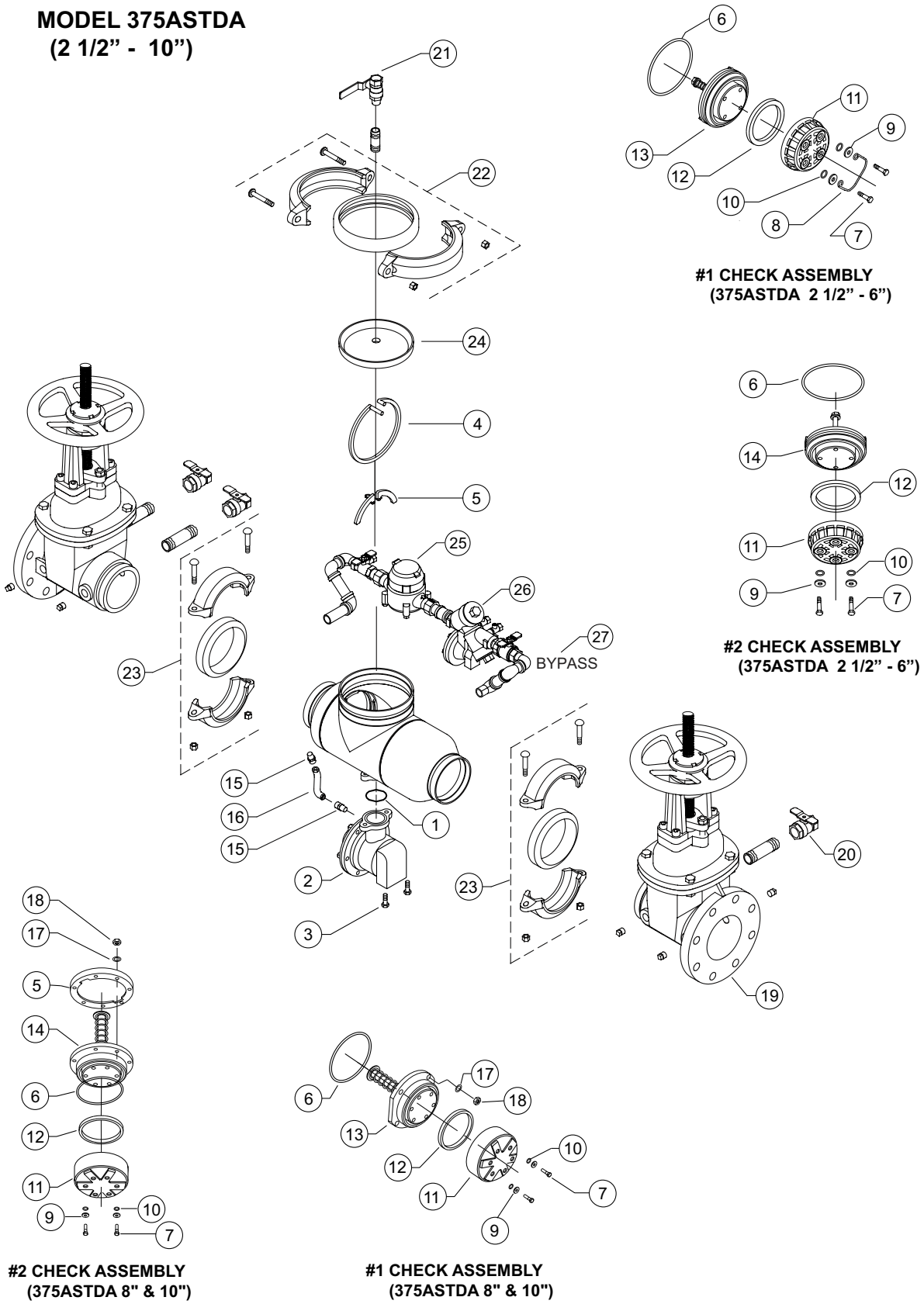
MODEL 375ASTDA

Stainless Steel Reduced Pressure Detector Assembly – Backflow Preventers 2-1/2" to 10"

Parts Drawing



MODEL 375ASTDA (2 1/2" - 10")



MODEL 475DA and 475DAV



Reduced Pressure Detector Assembly – Backflow Preventers 4" to 10"

Repair Kit Components		4"						4" and 6"		6"						8" and 10"						4" - 10"			
Size Range		RK4-350	RK4-350DA	RK4-375DAC	RK4-375CK1	RK4-350CK2	BRK4-LBF-SEAT1RTNR	BRK4-LBF-SEAT2RTNR	RK212-RV475-ASSY	RK4-RV475-HOSE	RK6-350	RK6-350DA	RK6-375DAC	RK6-375CK1	RK6-350CK2	BRK6-LBF-SEAT1RTNR	BRK6-LBF-SEAT2RTNR	RK8-350	RK8-350DA	RK8-375DAC	RK8-375CK1	RK8-450DACK2	RK8-RV475-HOSE	RK8-RV475-ASSY	RK4-475-TUBE-ASSY
4"		•	•	•	•	•	•	•	•																•
6"								•	•	•	•	•	•	•	•	•									•
8"																		•	•	•	•	•	•	•	•
10"																		•	•	•	•	•	•	•	•
Item #	Item Description																								
1	Relief Valve Elbow							•																•	
2	O-Ring, Elbow/Relief Valve							•(x2)																•(x2)	
3	Bolt, Elbow/Relief Valve							•(x4)																•(x4)	
4	Seat Retainer #1				•		•(x6)							•		•(x6)					•(x4)	•(x7)			
5	Seat Retainer #2					•		•(x6)						•		•(x6)									
6	O-Ring, Seat Assembly	•(x2)	•(x2)	•(x2)	•	•				•(x2)	•(x2)	•(x2)	•	•			•(x2)	•(x2)	•(x2)	•	•				
7	Bolt, Poppet Retainer				•(x4)	•(x4)							•(x4)	•(x4)							•(x6)	•(x6)			
8	Handle, #1 Poppet Assembly				•								•												
9	Washer, Poppet Retainer				•(x4)	•(x4)							•(x4)	•(x4)							•(x6)	•(x6)			
10	O-Ring, Poppet Retainer	•(x8)	•(x8)	•(x8)	•(x4)	•(x4)				•(x8)	•(x8)	•(x8)	•(x4)	•(x4)			•(x12)	•(x12)	•(x12)	•(x6)	•(x6)				
11	Poppet Retainer				•	•							•	•							•	•			
12	Seal Ring	•(x2)	•(x2)	•(x2)	•	•				•(x2)	•(x2)	•(x2)	•	•			•(x2)	•(x2)	•(x2)	•	•				
13	Seat Assembly #1 Poppet				•								•								•				
14	Seat Assembly #2 Poppet					•							•									•			
15	Relief Valve Assembly							•																•	
16	Pitot Tube Assembly																							•	
17	Sensing Tube								•														•		
18	Elbow								•														•		
19	Nipple								•														•		
20	Washer, Seat Retainer																				•(x4)	•(x7)			
	Bypass Rubber Repair Kit		•	•														•	•						
	Relief Valve Rubber Repair Kit			•																•					

Whole Goods (Available for individual sale)					
Item #	Item Description	4"	6"	8"	10"
21	Gate Valve, OS&Y (GxG)	4-480SYG	6-480SYG	8-480SYG	10-480SY
	Gate Valve, OS&Y (GxF)	4-480SYGXF	6-480SYGXF	8-480SYGXF	10-480SYGXF
	Gate Valve, Post Indicator (GxG)	4-48PIVG	6-48PIVG	8-48PIVG	10-48PIVG
	Gate Valve, Post Indicator (GxF)	4-48PIVGXF	6-48PIVGXF	8-48PIVGXF	10-48PIVGXF
	Butterfly Valve (GxG)	4-49G	6-49G	8-49G	10-49G
	Butterfly Valve (GxF)	4-49GXF	6-49GXF	8-49GXF	10-49GXF
22	Ball Valve, FxF	12-850XL		34-850XL	
23	Cover Retainer Assembly	6-23	8-23		12-23
24	Bulkhead Fitting Assembly	BHFICXL-100		BHF2BXL-100	
25	Sensing Bulkhead Fitting		BHFIBXL-100		BHF2CXL-100
26	Grooved Coupling	4-23	6-23	8-23	10-23
27	Cover	RK4-LBF-VALVE-COVER	RK6-LBF-VALVE-COVER		RK8-LBF-VALVE-COVER
28	Water Meter			557-54XL	
29	Bypass Valve			34-975XLD	
30	Bypass Assembly	RK4-475DA-BP-LM	RK6-475DA-BP-LM		RK8-475DA-BP-LM
	Bypass Rubber Repair Kit			RK34-975XLR	
	Relief Valve Rubber Repair Kit		RK212-375R		RK8-375R

Item No.	Repair Kit Description
4"	
RK4-350	Main Valve Rubber Repair Kit, 4" 475DA and 475DAV
RK4-350DA	Valve and Bypass Rubber Repair Kit, 4" 475DA and 475DAV
RK4-375DAC	Complete Rubber Repair Kit, 4" 475DA and 475DAV
RK4-375CK1	#1 Check Assembly Repair Kit, 4" 475DA and 475DAV
RK4-350CK2	#2 Check Assembly Repair Kit, 4" 475DA and 475DAV
BRK4-LBF-SEAT1RTNR	Bulk #1 Seat Retainer Repair Kit, 4" 475DA and 475DAV
BRK4-LBF-SEAT2RTNR	Bulk #2 Seat Retainer Repair Kit, 4" 475DA and 475DAV

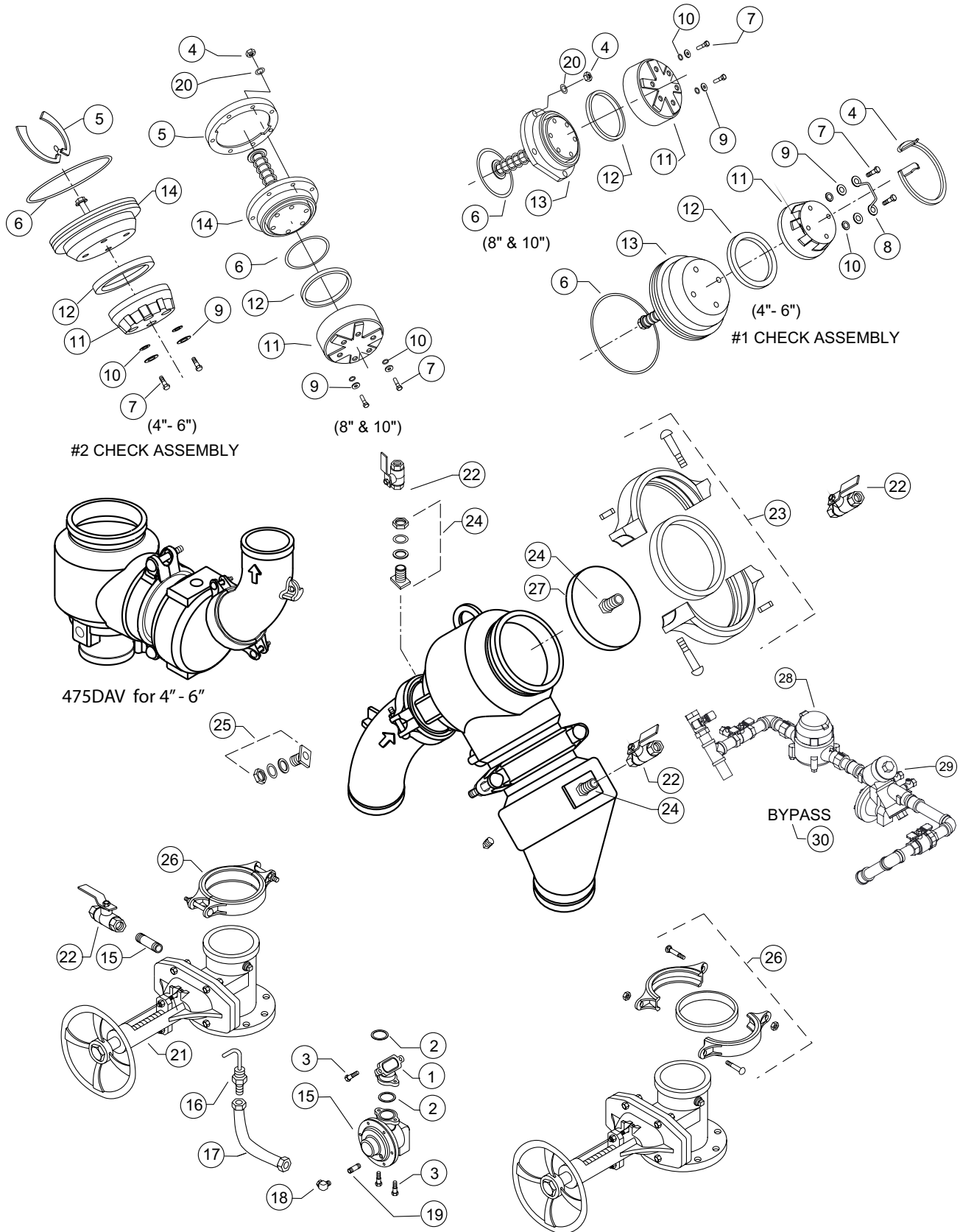
Item No.	Repair Kit Description
4" and 6"	
RK212-RV475-ASSY	Relief Valve Assembly Repair Kit, 4" and 6" 475DA and 475DAV
RK4-RV475-HOSE	Relief Valve Hose Repair Kit, 4" and 6" 475DA and 475DAV
6"	
RK6-350	Rubber Repair Kit, 6" 475DA and 475DAV
RK6-350DA	Valve and Bypass Rubber Repair Kit, 6" 475DA and 475DAV
RK6-375DAC	Complete Rubber Repair Kit, 6" 475DA and 475DAV
RK6-375CK1	#1 Check Assembly Repair Kit, 6" 475DA and 475DAV
RK6-350CK2	#2 Check Assembly Repair Kit, 6" 475DA and 475DAV
BRK6-LBF-SEAT1RTNR	Bulk #1 Seat Retainer Repair Kit, 6" 475DA and 475DAV
BRK6-LBF-SEAT2RTNR	Bulk #2 Seat Retainer Repair Kit, 6" 475DA and 475DAV

Item No.	Repair Kit Description
8" and 10"	
RK8-350	Rubber Repair Kit, 8" and 10" 475DA and 475DAV
RK8-350DA	Valve and Bypass Rubber Repair Kit, 8" and 10" 475DA and 475DAV
RK8-375DAC	Complete Rubber Repair Kit, 8" and 10" 475DA and 475DAV
RK8-375CK1	#1 Check Assembly Repair Kit, 8" and 10" 475DA and 475DAV
RK8-450DACK2	#2 Check Assembly Repair Kit, 8" and 10" 475DA and 475DAV
RK8-RV475-HOSE	Relief Valve Hose Repair Kit, 8" and 10" 475DA and 475DAV
RK8-RV-ASSY	Relief Valve Assembly Repair Kit, 8" and 10" 475DA and 475DAV
4" - 10"	
RK4-475-TUBE-ASSY	Pitot Tube Repair Kit, 4" - 10" 475DA and 475DAV

MODEL 475DA and 475DAV

Reduced Pressure Detector Assembly – Backflow Preventers 4" to 10"

Parts Drawing



MODEL 475STDA and 475STDAV



Stainless Steel Reduced Pressure Detector Assembly – Backflow Preventers 4" to 10"

Repair Kit Components		4"				4" and 6"		6"				6" and 10"		8"		8" and 10"				10"										
Size Range		RK4-350	RK4-350DA	RK4-375DAC	RK4-375ASTCK1	RK4-450STDACK2	RK4-475STR-RVELBOW	RK4-475STR-RVELBOW	BRK4-SSLBF-SEATIRNTR	RK212-RV-ASSY	RK4-RV475ST-HOSE	RK6-350	RK6-350DA	RK6-375DAC	RK6-375ASTCK1	RK6-450STDACK2	RK6-475STR-RVELBOW	RK6-475STR-RVELBOW	BRK6-SSLBF-SEATIRNTR	RK6-RV475ST-HOSE	RK8-475STR-RVELBOW	RK8-475STR-RVELBOW	RK8-350	RK8-350DA	RK8-375DAC	RK8-475STCK1	RK8-450STDACK2	RK8-RV-ASSY	RK10-475STR-RVELBOW	RK10-475STR-RVELBOW
4"		•	•	•	•	•	•	•	•	•																				
6"										•		•	•	•	•	•	•	•	•	•										
8"																					•	•	•	•	•	•	•	•	•	
10"																						•	•	•	•	•	•	•	•	•
Item #	Item Description																													
1	O-Ring, Relief Valve						•	•	•									•	•									•	•	•
2	Relief Valve Elbow, 475STDA						•											•												•
	Relief Valve Elbow, 475STDAR							•																						•
3	O-Ring, Relief Valve Elbow						•	•										•	•										•	•
4	Relief Valve Assembly									•																				•
5	Bolt, Relief Valve									•(x2)																			•(x2)	
6	Seat Retainer				•	•			•(x6)											•(x6)										
7	O-Ring, Seat	•(x2)	•(x2)	•(x2)	•	•						•(x2)	•(x2)	•(x2)	•	•							•(x2)	•(x2)	•(x2)	•	•			
8	Bolt, Poppet Retainer				•(x4)	•(x4)									•(x4)	•(x4)												•(x6)	•(x6)	
9	Handle, Poppet Assembly				•	•									•	•											•	•		
10	Washer				•(x4)	•(x4)									•(x4)	•(x4)											•(x6)	•(x6)		
11	O-Ring, Retainer	•(x8)	•(x8)	•(x8)	•(x4)	•(x4)						•(x8)	•(x8)	•(x8)	•(x4)	•(x4)							•(x12)	•(x12)	•(x12)	•(x6)	•(x6)			
12	Poppet Retainer				•	•									•	•											•	•		
13	Seal Ring	•(x2)	•(x2)	•(x2)	•	•						•(x2)	•(x2)	•(x2)	•	•							•(x2)	•(x2)	•(x2)	•	•			
14	Seat Assembly, #1 Poppet				•										•												•			
15	Seat Assembly, #2 Poppet					•									•												•			
16	Sensing Tube Fitting									•																			•	
17	Sensing Tube						•(x2)	•(x2)			•						•(x2)	•(x2)			•	•(x2)	•(x2)						•(x2)	•(x2)
18	Washer, Seat Retainer																										•(x4)	•(x4)		
19	Nut, Seat Retainer																										•(x4)	•(x4)		
20	Elbow										•																			
21	Nipple										•																			
22	Grooved Coupling																													
	Bypass Rubber Repair Kit		•	•								•	•											•	•					
	Relief Valve Rubber Repair Kit			•										•													•			

Whole Goods (Available for individual sale)									
Item #	Item Description	4"		6"		8"		10"	
23	Gate Valve, OS&Y (GxG)	4-48OSYG		6-48OSYG		8-48OSYG		10-48OSYG	
	Gate Valve, OS&Y (GxF)	4-48OSYGXF		6-48OSYGXF		8-48OSYGXF		10-48OSYGXF	
	Gate Valve, PI (GxG)	4-48PIVG		6-48PIVG		8-48PIVG		10-48PIVG	
	Gate Valve, PI (GxF)	4-48PIVGXF		6-48PIVGXF		8-48PIVGXF		10-48PIVGXF	
	Butterfly Valve (GxG)	4-49G		6-49G		8-49G		10-49G	
	Butterfly Valve (GxF)	4-49GXF		6-49GXF		8-49GXF		10-49GXF	
24	Grooved Coupling, Cover	6-23		8-23		12-23		12-23	
25	Ball Valve, Cover	12-850MXL				34-850XL			
26	Ball Valve, FxF	12-850XL				34-850XL			
22	Grooved Coupling, Body	4-23		6-23		8-23		10-23	
27	Cover	3509ST-3		3510ST-3				3511ST-3	
28	Water Meter					557-54XL			
29	Bypass Valve					34-975XLD			
30	Bypass Assembly 475STDA	RK4-475STDA-BP-LM		RK6-475STDA-BP-LM		RK8-475STDA-BP-LM		RK10-475STDA-BP-LM	
	Bypass Assembly 475STDAR	RK4-475STDAR-BP-LM		RK6-475STDAR-BP-LM		RK8-475STDAR-BP-LM		RK10-475STDAR-BP-LM	
	Bypass Rubber Repair Kit					RK34-975XLR			
	Relief Valve Rubber Repair Kit			RK212-375R				RK8-375R	

MODEL 475STDA and 475STDAV

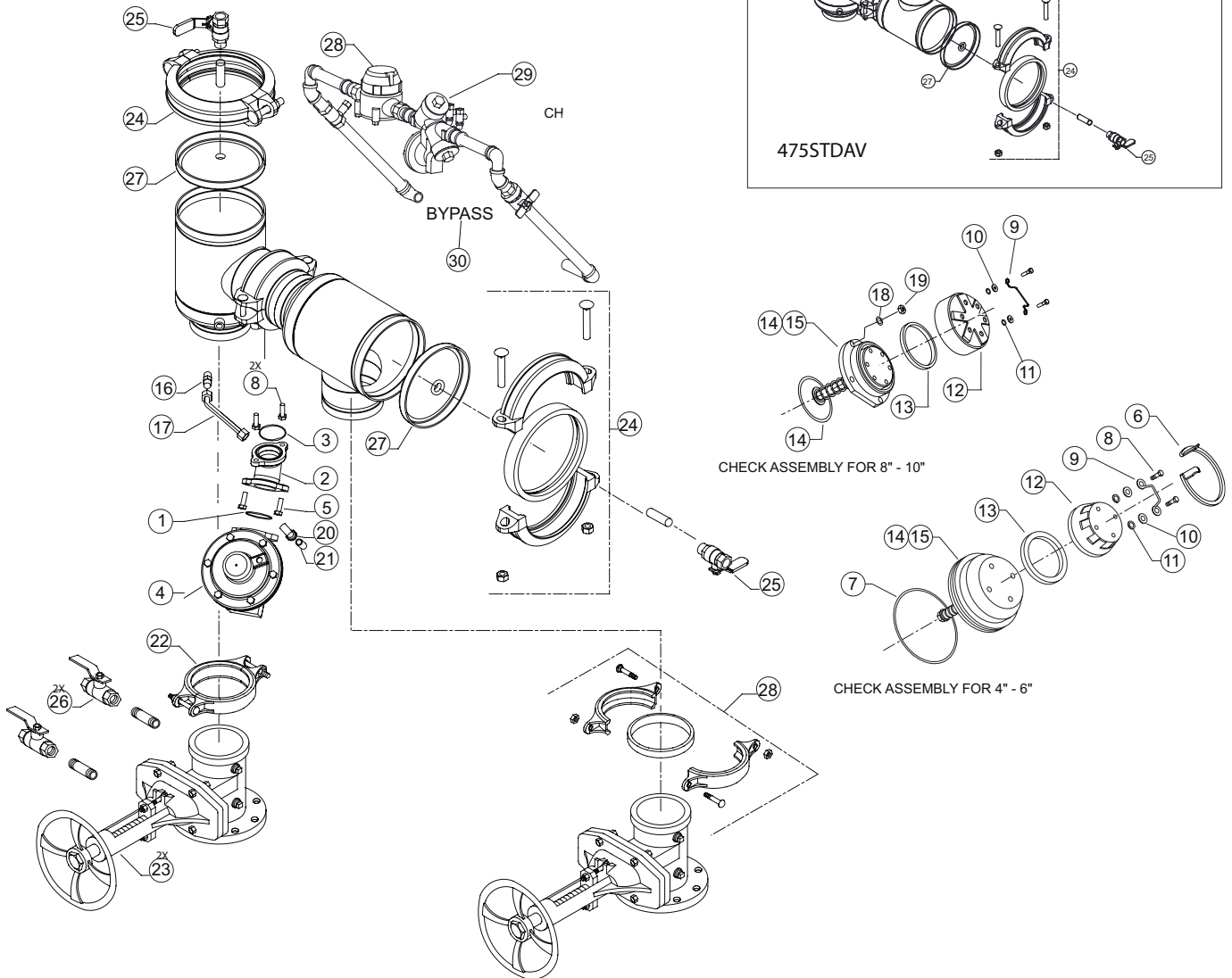
Stainless Steel Reduced Pressure Detector Assembly – Backflow Preventers 4" to 10"

Descriptions and Parts Drawing



Item No.	Repair Kit Description
4"	
RK4-350	Main Valve Rubber Repair Kit, 4" 475STDA and 475STDAV
RK4-350DA	Valve and Bypass Rubber Repair Kit, 4" 475STDA and 475STDAV
RK4-375DAC	Complete Rubber Repair Kit, 4" 475STDA and 475STDAV
RK4-375ASTCK1	#1 Check Assembly Repair Kit, 4" 475STDA and 475STDAV
RK4-450STDACK2	#2 Check Assembly Repair Kit, 4" 475STDA and 475STDAV
RK4-475ST-RVELBOW	Relief Valve Elbow, 475STR to 475ST Conv. Kit, 4" 475STDA and 475STDAV
RK4-475STR-RVELBOW	Relief Valve Elbow, 475ST to 475STR Conv. Kit, 4" 475STDA and 475STDA Relief Valve
BRK4-SSLBF-SEATIRTRNR	Bulk Seat Retainer Repair Kit, 4" 475STDA and 475STDAV
4" and 6"	
RK212-RV-ASSY	Relief Valve Assembly Repair Kit, 4" and 6" 475STDA and 475STDAV
4" and 8"	
RK4-RV475ST-HOSE	Relief Valve Hose Repair Kit, 4" and 8" 475STDA and 475STDAV
6"	
RK6-350	Rubber Repair Kit, 6" 475ST
RK6-350DA	Valve and Bypass Rubber Repair Kit, 6" 475STDA and 475STDAV
RK6-375DAC	Complete Rubber Repair Kit, 6" 475STDA and 475STDAV
RK6-375ASTCK1	#1 Check Assembly Repair Kit, 6" 475ST
RK6-450STDACK2	#2 Check Assembly Repair Kit, 6" 475ST
RK6-475ST-RVELBOW	Relief Valve Elbow, 475STR to 475ST Conv. Kit, 6" 475STDA and 475STDAV
RK6-475STR-RVELBOW	Relief Valve Elbow, 475ST to 475STR Conv. Kit, 6" 475STDA and 475STDA Relief Valve
BRK6-SSLBF-SEATIRTRNR	Bulk Seat Retainer Repair Kit, 6" 475STDA and 475STDAV
6" and 10"	
RK6-RV475ST-HOSE	Relief Valve Hose Repair Kit, 6" and 10" 475ST

Item No.	Repair Kit Description
8"	
RK8-475ST-RVELBOW	Relief Valve Elbow, 475STR to 475ST Conv. Kit, 8" 475STDA and 475STDAV
RK8-475STR-RVELBOW	Relief Valve Elbow, 475ST to 475STR Conv. Kit, 8" 475STDA and 475STDA Relief Valve
8" and 10"	
RK8-350	Rubber Repair Kit, 8" and 10" 475ST
RK8-350DA	Valve and Bypass Rubber Repair Kit, 8" 475STDA and 475STDAV
RK8-375DAC	Complete Rubber Repair Kit, 8" 475STDA and 475STDAV
RK8-475STCK1	#1 Check Assembly Repair Kit, 8" and 10" 475ST
RK8-450STDACK2	#2 Check Assembly Repair Kit, 8" and 10" 475ST
RK8-RV-ASSY	Relief Valve Assy Repair Kit, 8" and 10" 475ST
10"	
RK10-475ST-RVELBOW	Relief Valve Elbow, 475STR to 475ST Conv. Kit, 10" 475STDA and 475STDAV
RK10-475STR-RVELBOW	Relief Valve Elbow, 475ST to 475STR Conv. Kit, 10" 475STDA and 475STDA Relief Valve



MODEL 350XL and 350

Double Check – Backflow Preventers 3/4" and 1"



Repair Kit Components		3/4"							1"						
Item #	Item Description	RK34-350	RK34-350R	RK34-350V	RK34-350BOF	RK34-350FLUSH	RK34-BVHDXL	RK34-BVHD	RK1-350	RK1-350R	RK1-350V	RK1-350BOF	RK1-350FLUSH	RK1-BVHDXL	RK1-BVHD
1	Pressure Vessel			●							●				
2	#1 Seat	●		●					●		●				
3	#2 Seat	●		●					●		●				
4	O-Ring #1 Seat	●	●	●					●	●	●				
5	O-Ring #2 Seat	●	●	●					●	●	●				
6	Poppet	● (x2)	● (x2)	● (x2)					● (x2)	● (x2)	● (x2)				
7	Spring	● (x2)		● (x2)					● (x2)		● (x2)				
8	Sleeve	● (x2)		● (x2)					● (x2)		● (x2)				
9	O-Ring, Housing Inlet	●	●	●					●	●	●	●			
10	O-Ring, Housing Outlet	●	●	●					●	●	●	●			
11	Pressure Vessels Screws			● (x4)							● (x4)				
12	Test Cocks			● (x2)							● (x2)				
13	Test Cock Cap Plug			● (x2)							● (x2)				
14	Blue Ball Valve Handle and Nut							● (x2)							● (x2)
	Green Ball Valve Handle and Nut						● (x2)							● (x2)	
15	Blow-Out/Flush Housing				●	●						●	●		
	O-Ring, Blow-Out Inlet				●	●						●	●		
	O-Ring, Blow-Out Outlet				●	●						●	●		
	Flush Hose Assembly					●							●		

Whole Goods (Available for individual sale)		
Item #	Item Description	3/4" 1"
12	Test Cock	18-860XL
16	Ball Valve, Tapped 350XL	34-850TXL
	Ball Valve, Tapped 350	34-850T
17	Ball Valve, 350XL	34-850XL
	Ball Valve, 350	34-850

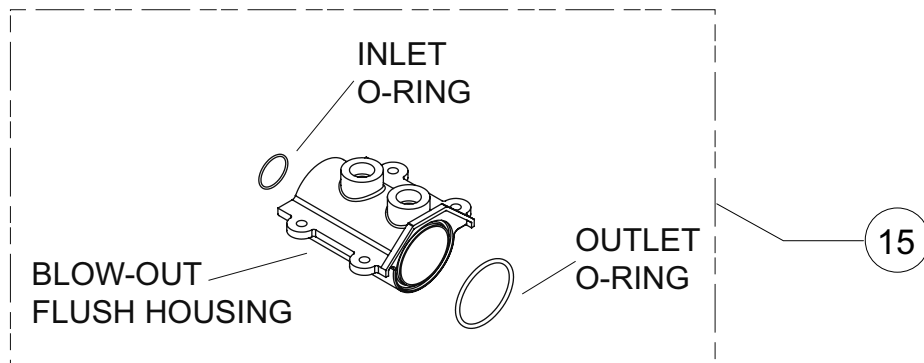
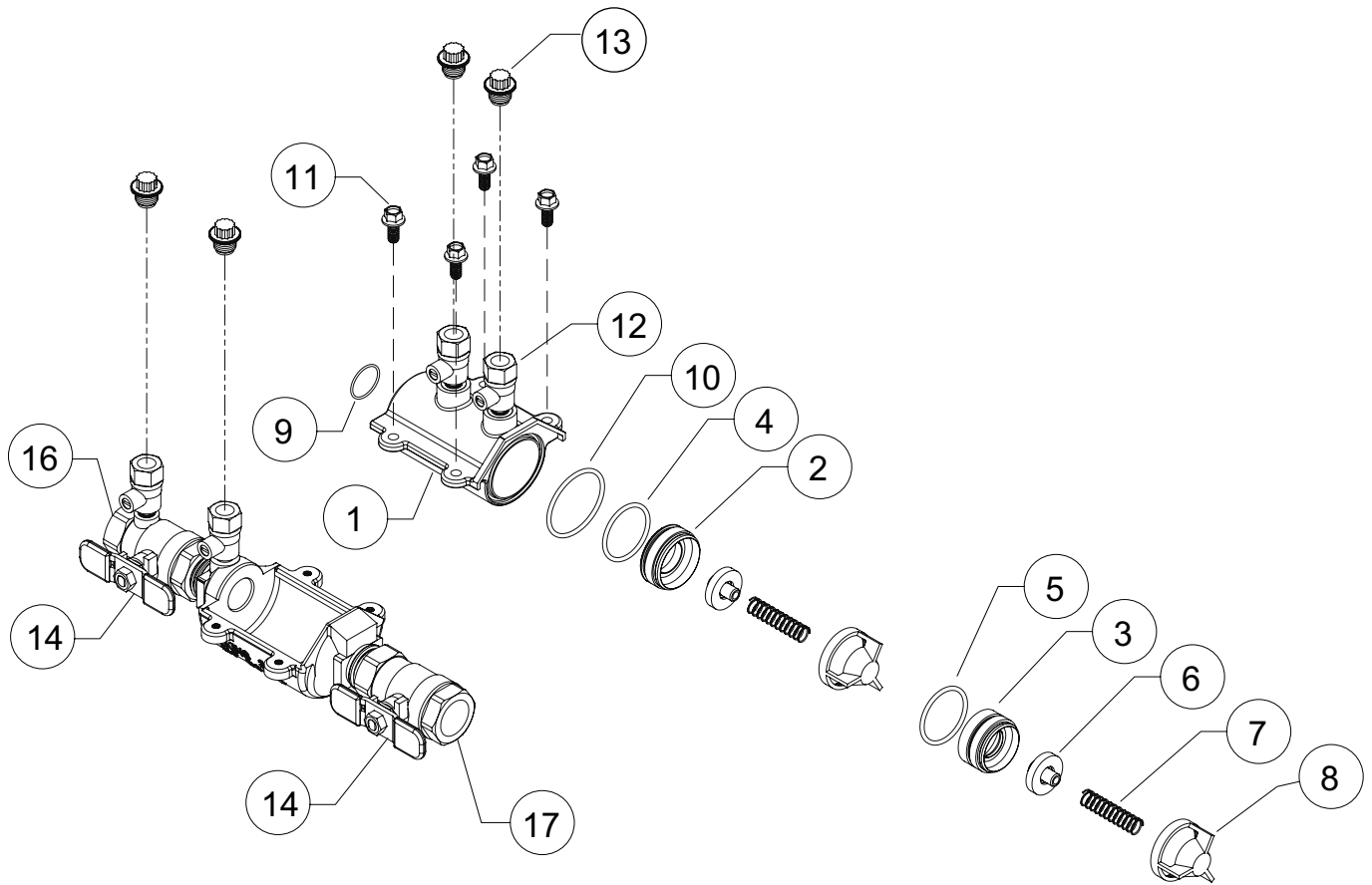
Item No.	Repair Kit Description
3/4"	
RK34-350	Complete Internals Repair Kit, 3/4" 350XL and 350
RK34-350R	Rubber Repair Kit, 3/4" 350XL and 350
RK34-350V	Complete Pressure Vessel Repair Kit, 3/4" 350XL and 350
RK34-350BOF	Blow-Out/Flush Fitting Repair Kit, 3/4" 350XL and 350
RK34-350FLUSH	Flush Kit, 3/4" 350XL and 350
RK34-BVHDXL	Green Ball Valve Handle Repair Kit, 3/4"
RK34-BVHD	Blue Ball Valve Handle Repair Kit, 3/4"

Item No.	Repair Kit Description
1"	
RK1-350	Complete Internals Repair Kit, 1" 350XL and 350
RK1-350R	Rubber Repair Kit, 1" 350XL and 350
RK1-350V	Complete Pressure Vessel Repair Kit, 1" 350XL and 350
RK1-350BOF	Blow-Out/Flush Fitting Repair Kit, 1" 350XL and 350
RK1-350FLUSH	Flush Kit, 1" 350XL and 350
RK1-BVHDXL	Green Ball Valve Handle Repair Kit, 1"
RK1-BVHD	Blue Ball Valve Handle Repair Kit, 1"

MODEL 350XL and 350

Double Check – Backflow Preventers 3/4" and 1"

Parts Drawing



RK34-350BOF
RK1-350BOF

MODEL 350XL and 350

Double Check – Backflow Preventers 1-1/4" to 2"



Repair Kit Components		1-1/4"		1-1/2"		2"		1-1/4" - 2"				
Item #	Item Description	RK114-375XLBVHD	RK114-375BVHD	RK112-375XLBVHD	RK112-375BVHD	RK2-375XLBVHD	RK2-375BVHD	RK114-350	RK114-350R	RK114-350V	RK114-350-375BOF	RK114-350-375FLUSH
1	Pressure Vessel									●		
2	O-Ring, Ball Valve							●(x2)	●(x2)	●(x2)	●(x2)	●(x2)
3	Sleeve									●		
4	O-Ring, Sleeve/#1 Seat							●(x2)	●(x2)	●(x2)	●	●
5	Bolt, Sleeve									●(x4)		
6	Test Cocks									●(x3)		
7	Seat #1							●		●		
8	Spring Retainer #1							●		●		
9	Bolt, Seat							●(x2)		●(x2)		
10	Seal Retainer							●(x2)		●(x2)		
11	Seal Washer							●(x2)	●(x2)	●(x2)		
12	Poppet							●(x2)		●(x2)		
13	O-Ring, #2 Seat							●	●	●		
14	Seat #2							●		●		
15	Spring							●(x2)		●(x2)		
16	Spring Retainer #2							●		●		
17	Green Ball Valve Handle and Nut	●(x2)		●(x2)		●(x2)						
	Blue Ball Valve Handle and Nut		●(x2)		●(x2)		●(x2)					
18	Housing, Blow-Out/Flush										●	●
	Flush Hose Assembly											●
19	Test Cock Cap Plug									●(x3)		

Whole Goods (Available for individual sale)

Item #	Item Description	1-1/4"	1-1/2"	2"
6	Test Cock			14-860XL
20	Inlet Ball Valve, 350XL	374-48AXL	375-48AXL	376-48AXL
	Inlet Ball Valve, 350	374-48A	375-48A	376-48A
21	Outlet Ball Valve, 350XL	374-48BXL	375-48BXL	376-48BXL
	Outlet Ball Valve, 350	374-48B	375-48B	376-48B

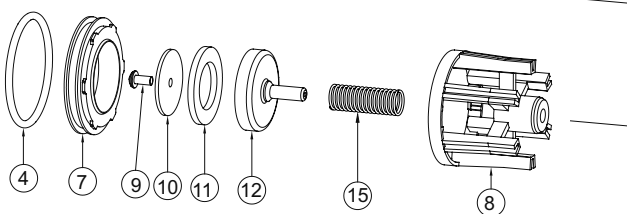
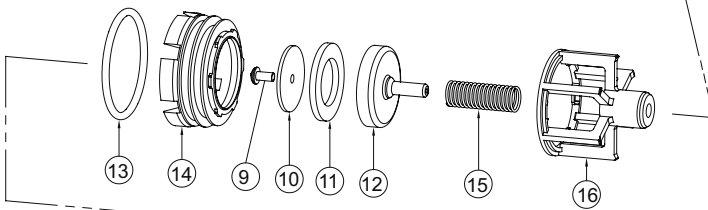
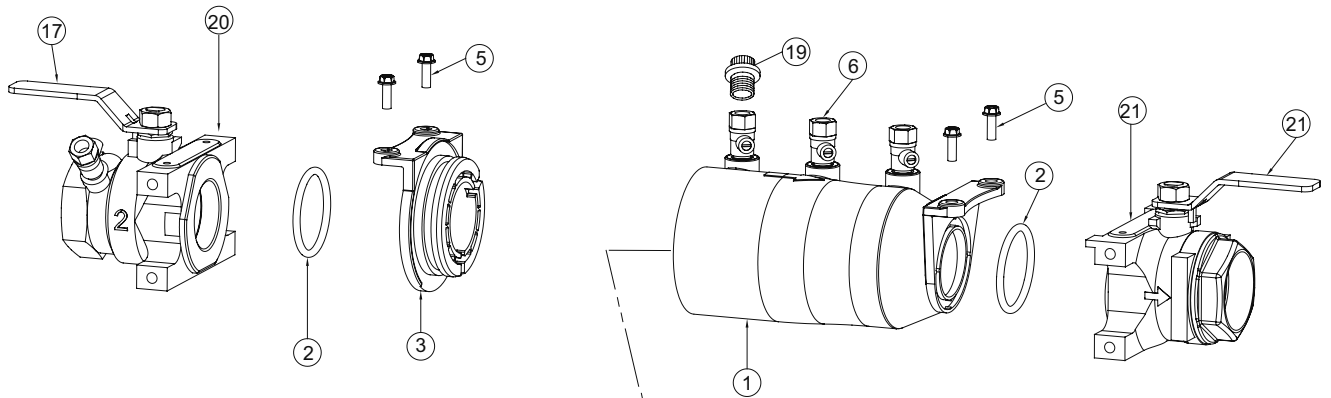
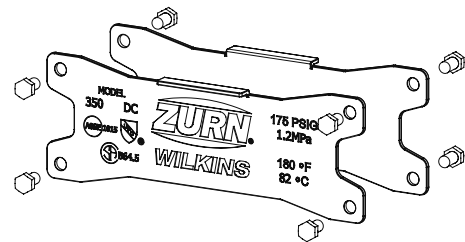
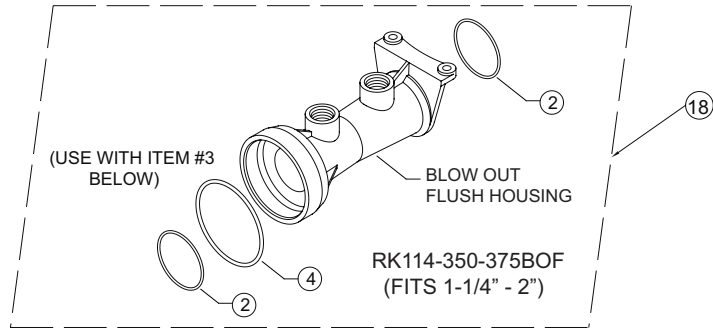
Item No.	Repair Kit Description
1-1/4"	
RK114-375XLBVHD	Green Ball Valve Handle Repair Kit, 1-1/4" 350XL
RK114-375BVHD	Blue Ball Valve Handle Repair Kit, 1-1/4" 350
1-1/2"	
RK112-375XLBVHD	Green Ball Valve Handle Repair Kit, 1-1/2" 350XL
RK112-375BVHD	Blue Ball Valve Handle Repair Kit, 1-1/2" 350

Item No.	Repair Kit Description
2"	
RK2-375XLBVHD	Green Ball Valve Handle Repair Kit, 2" 350XL
RK2-375BVHD	Blue Ball Valve Handle Repair Kit, 2" 350
1-1/4" - 2"	
RK114-350	Check Repair Kit, 1-1/4" - 2" 350XL and 350
RK114-350R	Rubber Repair Kit, 1-1/4" - 2" 350XL and 350
RK114-350V	Complete Pressure Vessel Repair Kit, 1-1/4" - 2" 350XL and 350
RK114-350BOF	Blow-Out Fitting Repair Kit, 1-1/4" - 2" 350XL and 350
RK114-350FLUSH	Flush Kit, 1-1/4" - 2" 350XL and 350

MODEL 350XL and 350

Double Check – Backflow Preventers 1-1/4" to 2"

Parts Drawing



MODEL 950XL



Double Check – Backflow Preventers 3/4" to 2"

Repair Kit Components		3/4" and 1"					1-1/4" - 2"				
Item #	Item Description	RK34-950XL	RK34-950XLC	RK34-950XLR	RK34-950XLSK	RK34-CKCOVER	RK114-950XL	RK114-950XLC	RK114-950XLR	RK114-950XLSK	RK114-CK-COVER
1	Check Cover					● (x2)					● (x2)
2	O-Ring, Cover	● (x2)	● (x2)	● (x2)	● (x2)	● (x2)	● (x2)	● (x2)	● (x2)	● (x2)	● (x2)
3	Check Spring	● (x2)	● (x2)				● (x2)	● (x2)			
4	Poppet		● (x2)					● (x2)			
5	Seal Ring	● (x2)	● (x2)	● (x2)			● (x2)	● (x2)	● (x2)		
6	Seal Ring Retainer		● (x2)					● (x2)			
7	Retaining Bolt		● (x2)					● (x2)			
8	Check Seat		● (x2)		● (x2)			● (x2)		● (x2)	
9	O-Ring, Check Seat		● (x2)					● (x2)			

Whole Goods (Available for individual sale)

Item #	Item Description	3/4"	1"	1-1/4"	1-1/2"	2"
10	Test Cock	18-860XL		14-860XL		
11	Ball Valve, Tapped	34-850T	1-850T	114-850T	112-850T	2-850T
12	Ball Valve	34-850	1-850	114-850	112-850	2-850
	Check Seat Tool (x6)	BRK34-SEATTOOL			BRK114-SEATTOOL	

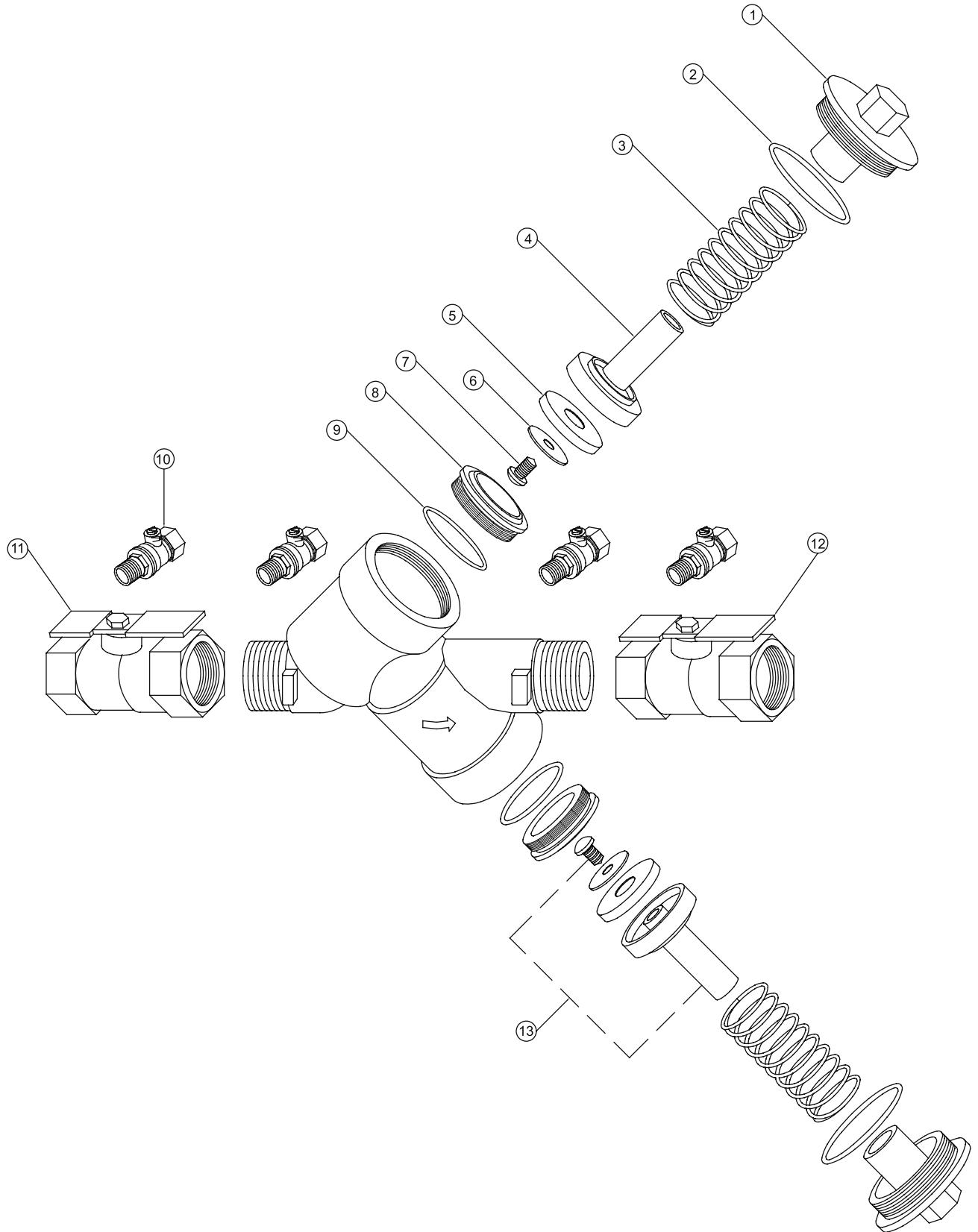
Item No.	Repair Kit Description
3/4" and 1"	
RK34-950XL	Standard Repair Kit, 3/4" and 1" 950XL
RK34-950XLC	Complete Repair Kit, 3/4" and 1" 950XL
RK34-950XLR	Rubber Repair Kit, 3/4" and 1" 950XL
RK34-950XLSK	Repair Kit, W/Seats 3/4" and 1" 950XL
RK34-CK-COVER	Repair Kit, Check Cover 3/4" and 1" 950XL

Item No.	Repair Kit Description
1-1/4" - 2"	
RK114-950XL	Standard Repair Kit, 1-1/4" and 2" 950XL
RK114-950XLC	Complete Repair Kit, 1-1/4" and 2" 950XL
RK114-950XLR	Rubber Repair Kit, 1-1/4" and 2" 950XL
RK114-950XLSK	Repair Kit, W/Seats 1-1/4" and 2" 950XL
RK114-CK-COVER	Repair Kit, Check Cover 1-1/4" and 2" 950XL

MODEL 950XL

Double Check – Backflow Preventers 3/4" to 2"

Parts Drawing



MODEL 950XLT2, 950XLT, 950XLTDA



Double Check – Backflow Preventers 3/4" to 2"

Repair Kit Components		3/4" and 1"					1-1/4" - 2"					2"
Item #	Item Description	RK34-950XL	RK34-950XLTLC	RK34-950XLR	RK34-950XLTSK	RK34-CK-COVER	RK114-950XL	RK114-950XLTLC	RK114-950XLR	RK114-950XLTSK	RK114-CK-COVER	RK2-950XLTDA
1	Check Cover					● (x2)					● (x2)	
2	O-Ring, Cover	● (x2)	● (x2)	● (x2)		● (x2)	● (x2)	● (x2)	● (x2)		● (x2)	● (x2)
3	Check Spring	● (x2)	● (x2)				● (x2)	● (x2)				● (x2)
4	Poppet		● (x2)					● (x2)				
5	Seal Ring	● (x2)	● (x2)	● (x2)			● (x2)	● (x2)	● (x2)			● (x2)
6	Seal Ring Retainer		● (x2)					● (x2)				
7	Retaining Bolt		● (x2)					● (x2)				
8	Check Seat		● (x2)		● (x2)			● (x2)		● (x2)		
9	O-Ring, Check Seat		● (x2)		● (x2)			● (x2)		● (x2)		

Whole Goods (Available for individual sale)							
Item #	Item Description	3/4"	1"	1-1/4"	1-1/2"	2"	
10	Ball Valve, Tapped 950XLT2	34-850TXL	1-850TXL	114-850TXL	112-850TXL	2-850TXL	
	Ball Valve, Tapped 950XLT	34-850T	1-850T	114-850T	112-850T	2-850T	
11	Ball Valve, 950XLT2	34-850XL	1-850XL	114-850XL	112-850XL	2-850XL	
	Ball Valve, 950XLT	34-850	1-850	114-850	112-850	2-850	
12	Butterfly Valve, Tapped*	N/A		114-49BRXLSST	112-49BRXLSST	2-49BRXLSST	
13	Butterfly Valve*			114-49BRXLSS	112-49BRXLSS	2-49BRXLSS	
14	Gate Valve			114-48OSY	112-48OSY	2-48OSY	
15	Test Cock	18-860XL		14-860XL			
16	Test Cock Cap Plug	2-7P					
17	Water Meter 5/8"	557-54XL					
	Check Seat Tool (x6)	BRK34-SEATTOOL			BRK114-SEATTOOL		

*Integral Supervisory Switch Option Available

Model 350D Bypass		
Item #	Kit #	Item Description
18	RK34-350D	Complete Bypass Repair Kit, 3/4" 350D
	RK34-350DV	Vessel Repair Kit, 3/4" 350D

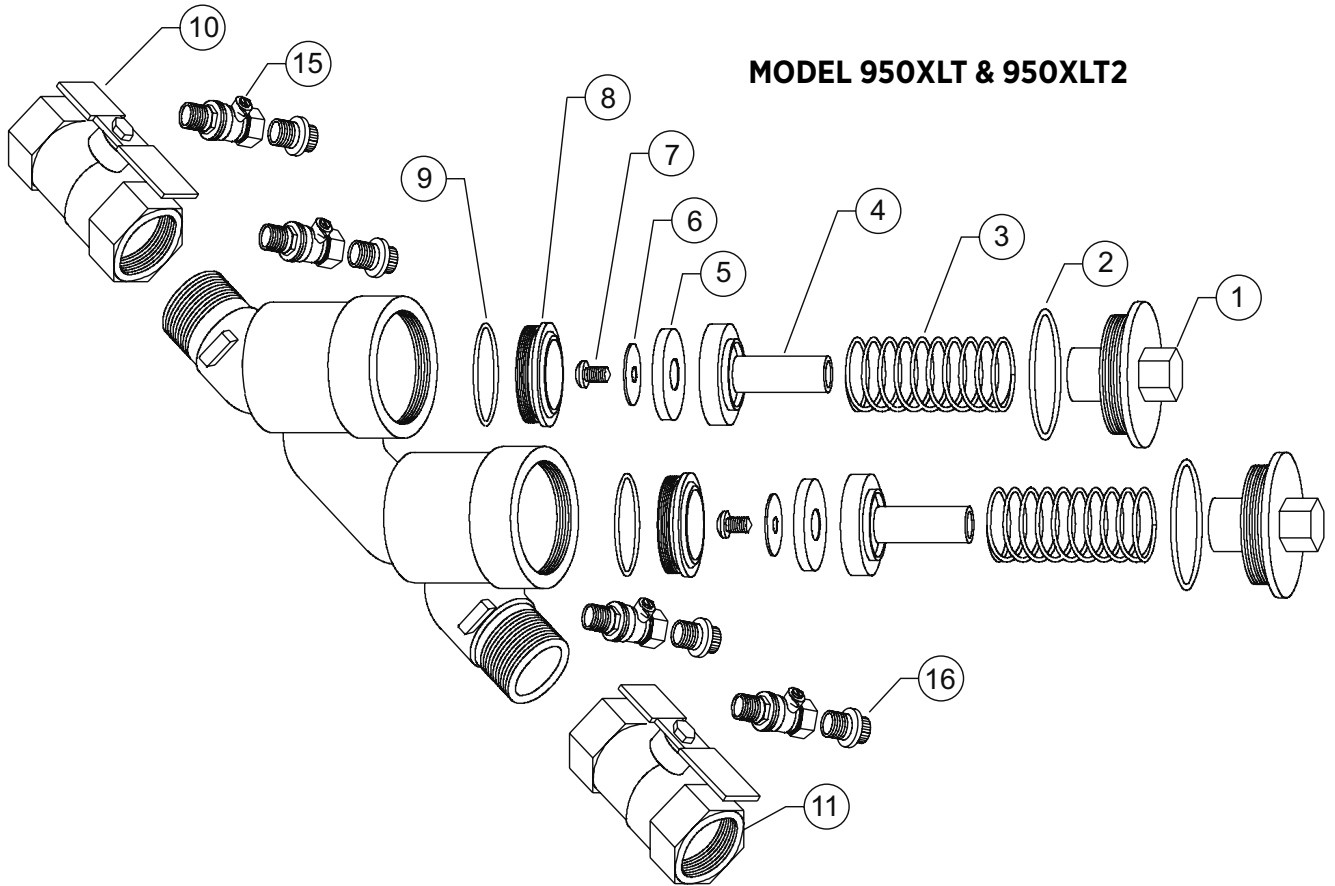
Item No.	Repair Kit Description
3/4" and 1"	
RK34-950XL	Rubber and Spring Repair Kit, 3/4" and 1" 950XLT2 and 950XLT
RK34-950XLTLC	Complete Repair Kit, 3/4" and 1" 950XLT2 and 950XLT
RK34-950XLR	Rubber Repair Kit, 3/4" and 1" 950XLT2 and 950XLT
RK34-950XLTSK	Seat Repair Kit, 3/4" and 1" 950XLT2 and 950XLT
RK34-CK-COVER	Repair Kit, Check Cover 3/4" and 1" 950XLT2 and 950XLT
BRK34-SEATTOOL	Seat Removal Tool Bulk Repair Kit, 3/4" and 1" 950XLT2 and 950XLT

Item No.	Repair Kit Description
1-1/4" - 2"	
RK114-950XL	Rubber and Spring Repair Kit, 1-1/4" - 2" 950XLT2, 950XLT, and 2" 950XLTDA
RK114-950XLTLC	Complete Repair Kit, 1-1/4" - 2" 950XLT2, 950XLT, and 2" 950XLTDA
RK114-950XLR	Rubber Repair Kit, 1-1/4" - 2" 950XLT2, 950XLT, and 2" 950XLTDA
RK114-950XLTSK	Seat Repair Kit, 1-1/4" - 2" 950XLT2, 950XLT, and 2" 950XLTDA
RK114-CK-COVER	Repair Kit, Check Cover 1-1/4" - 2" 950XLT2, 950XLT, and 2" 950XLTDA
RK2-950XLTDA	Spring Repair Kit, 2" 950XLTDA
BRK114-SEATTOOL	Seat Removal Tool Bulk Repair Kit, 1-1/4" - 2" 950XLT2, 950XLT and 2" 950XLTDA

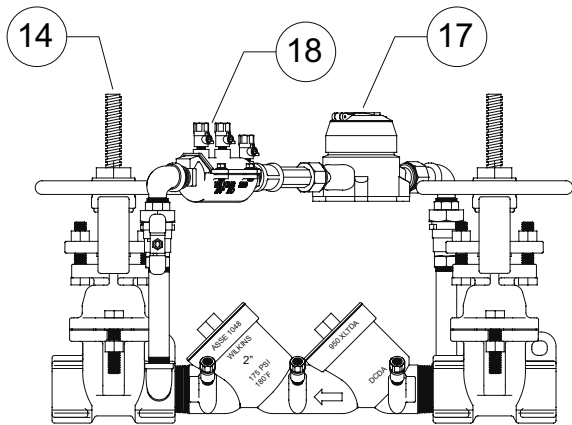
MODEL 950XLT2, 950XLT, 950XLTD

Double Check – Backflow Preventers 3/4" to 2"

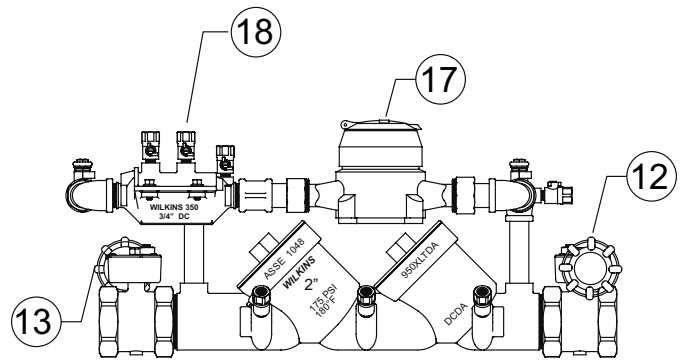
Parts Drawing



MODEL 950XLT & 950XLT2



MODEL 950XLTD A



MODEL 950XLTD A B F

MODEL 950XL3



Double Check – Backflow Preventers 3/4" to 2"

Repair Kit Components		3/4"		1"		1-1/4 - 1-1/2"		2"	
Item #	Item Description	RK34-950XL3	RK34-950XLR	RK1-950XL3	RK1-950XL3R	RK114-950XL3	RK114-950XL3R	RK2-950XL3	RK2-950XL3R
1	Check Assembly	●		●		●		●	
2	O-Ring, Cover	●	●	●	●	●	●	●	●
3	#1 Seat O-ring		●		●		●		●
4	#2 Seat O-ring		●		●		●		●
5	Check Seal		● (x2)		● (x2)		● (x2)		● (x2)

Whole Goods (Available for individual sale)						
Item #	Item Description	3/4"	1"	1-1/4"	1-1/2"	2"
6	Ball Valve, Tapped	34-850TXL	1-850TXL	114-850TXL	112-850TXL	2-850TXL
6	Union Ball Valve, Tapped	34-850TUXL	1-850TUXL	114-850TUXL	112-850TUXL	2-850TUXL
7	Ball Valve	34-850XL	1-850XL	114-850XL	112-850XL	2-850XL
7	Union Ball Valve	34-850UXL	1-850UXL	114-850UXL	112-850UXL	2-850UXL
8	Test Cock	18-860B	18-860B	14-860	14-860	14-860

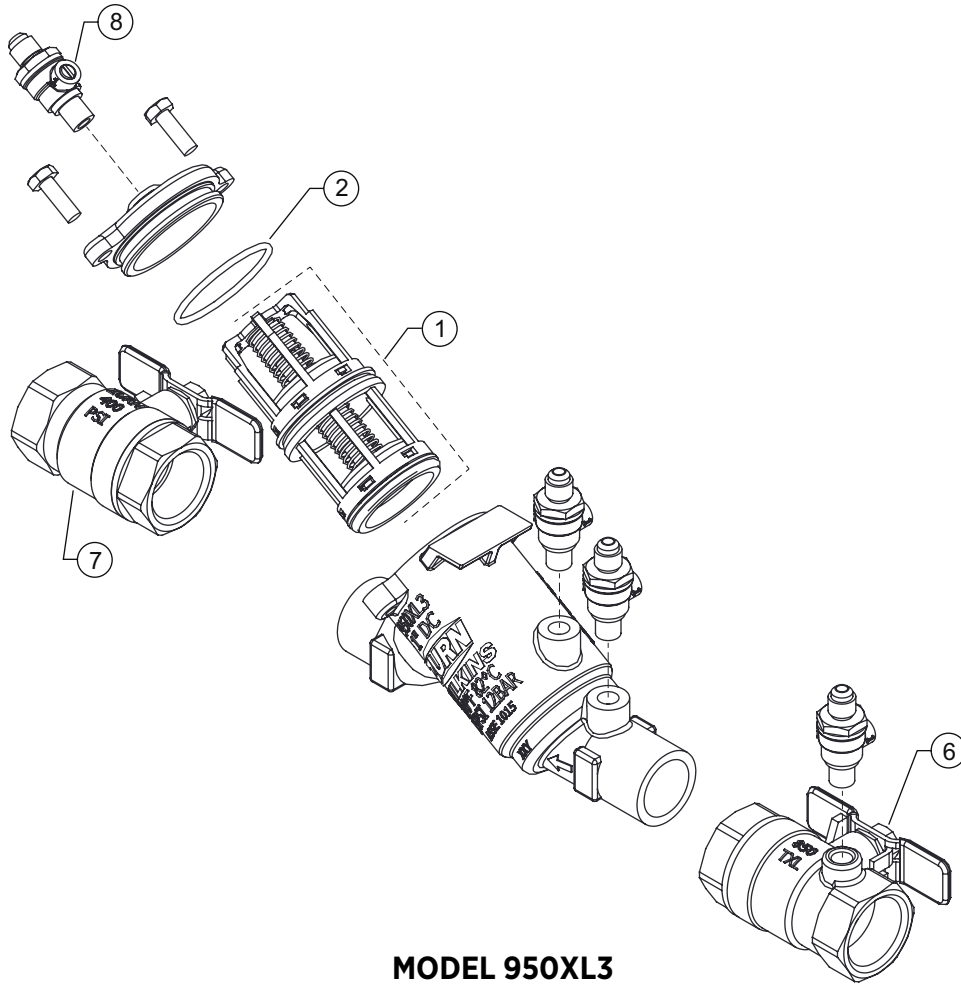
Item No.	Repair Kit Description
3/4" and 1"	
RK34-950XL3	Standard Repair Kit, 3/4" 950XL3, Complete
RK34-950XLR	Rubber Repair Kit, 3/4" 950XL3, Seal Rings and O-Rings
RK1-950XL3	Standard Repair Kit, 1" 950XL3, Complete
RK1-950XL3R	Rubber Repair Kit, 1" 950XL3, Seal Rings and O-Rings

Item No.	Repair Kit Description
1-1/4" - 2"	
RK114-950XL3	Standard Repair Kit, 1-1/4" - 1-1/2" 950XL3, Complete
RK114-950XL3R	Rubber Repair Kit, 1-1/4" - 1-1/2" 950XL3, Seal Rings and O-rings
RK2-950XL3	Repair Kit, 2" 950XL3, Complete
RK2-950XL3R	Rubber Repair Kit, 2" 950XL3, Seal Rings and O-rings

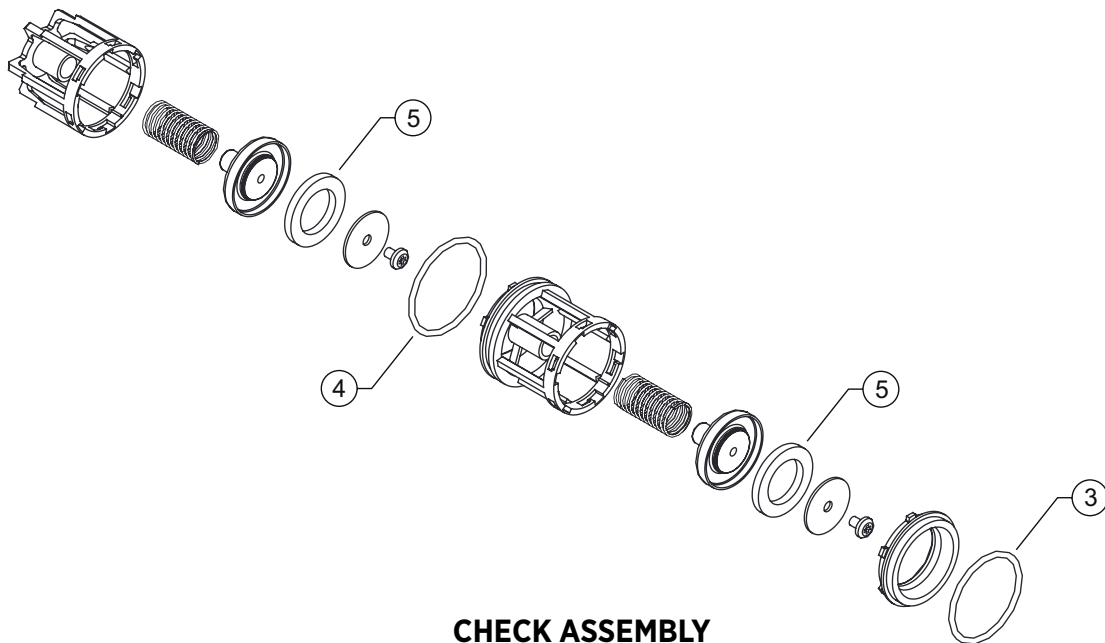
MODEL 950XL3

Double Check – Backflow Preventers 3/4" to 2"

Parts Drawing



MODEL 950XL3



CHECK ASSEMBLY

MODEL 350 and 450

Double Check – Backflow Preventers 2-1/2" and 3"



Repair Kit Components		2-1/2"	2-1/2" and 3"						3"
Item #	Item Description	212-BK	RK212-350	RK212-350CK1	RK212-350CK2	RK212-350-COVERPLATE	BRK212-300-SEAT1-RTNR	BRK212-300-SEAT2-RTNR	3-BK
1	Bolt, Flange	● (x8)							● (x8)
2	Nut, Flange	● (x8)							● (x8)
3	Gasket, Flange	● (x2)							● (x2)
4	O-Ring, Cover Plate					●			
5	Cover Plate					●			
6	Bolt, Cover Plate					● (x2)			
7	Seat Retainer #1			●			● (x6)		
8	Seat Retainer #2				●			● (x6)	
9	O-Ring, Seat		● (x2)	●	●				
10	Nut, Poppet Retainer			●	●				
11	Washer, #1 Check			●					
12	Washer, #2 Check				●				
13	O-Ring, Stem		● (x2)	●	●				
14	Poppet Retainer			●	●				
15	Seal Ring		● (x2)	●	●				
16	Seat Assembly, #1 Poppet			●					
17	Seat Assembly, #2 Poppet				●				

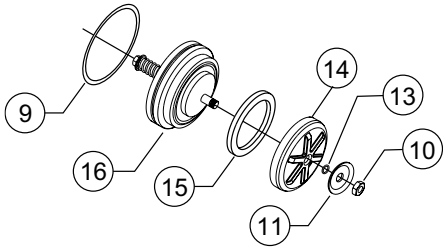
Whole Goods (Available for individual sale)			
Item #	Item Description	2-1/2"	3"
18	Gate Valve, NRS (FxF)	212-48	3-48
	Gate Valve, NRS (GxF)	212-48GXF	3-48GXF
	Gate Valve, OS&Y (FxF)	212-48OSY	3-48OSY
	Gate Valve, OS&Y (GxF)	212-48OSYGXF	3-48OSYGXF
	Butterfly Valve (GxF)	212-49GXF	3-49GXF
19	Ball Valve, FxF	12-850XL	
20	Ball Valve, MxF	12-850MXL	
21	Cover Retainer Assembly	5-23	
22	Bulkhead Fittings	BHFICXL-100	
23	Sensing Line Bulkhead Fittings	BHFIBXL-100	
24	Cover	RK212-LBF-VLV-COVER	

Item No.	Repair Kit Description
2-1/2"	
212-BK	Flanged Kit, 2-1/2"
2-1/2" and 3"	
RK212-350	Rubber Repair Kit, 2-1/2" and 3" 350 and 450
RK212-350CK1	First Check Assembly Repair Kit, 2-1/2" and 3" 350 and 450
RK212-350CK2	Second Check Assembly Repair Kit, 2-1/2" and 3" 350 and 450
RK212-350-COVERPLATE	Cover Plate Repair Kit, 2-1/2" and 3" 350 and 450
BRK212-300-SEAT1-RTNR	#1 Check Seat Retainer Bulk Kit, 2-1/2" and 3" 350 and 450
BRK212-300-SEAT2-RTNR	#2 Check Seat Retainer Bulk Kit, 2-1/2" and 3" 350 and 450
3"	
3-BK	Flanged Kit, 3"

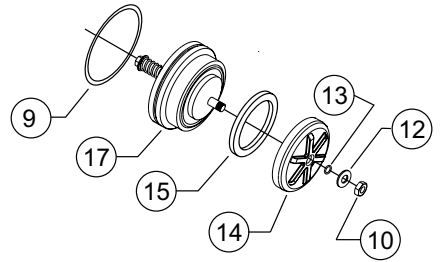
MODEL 350 and 450

Double Check – Backflow Preventers 2-1/2" and 3"

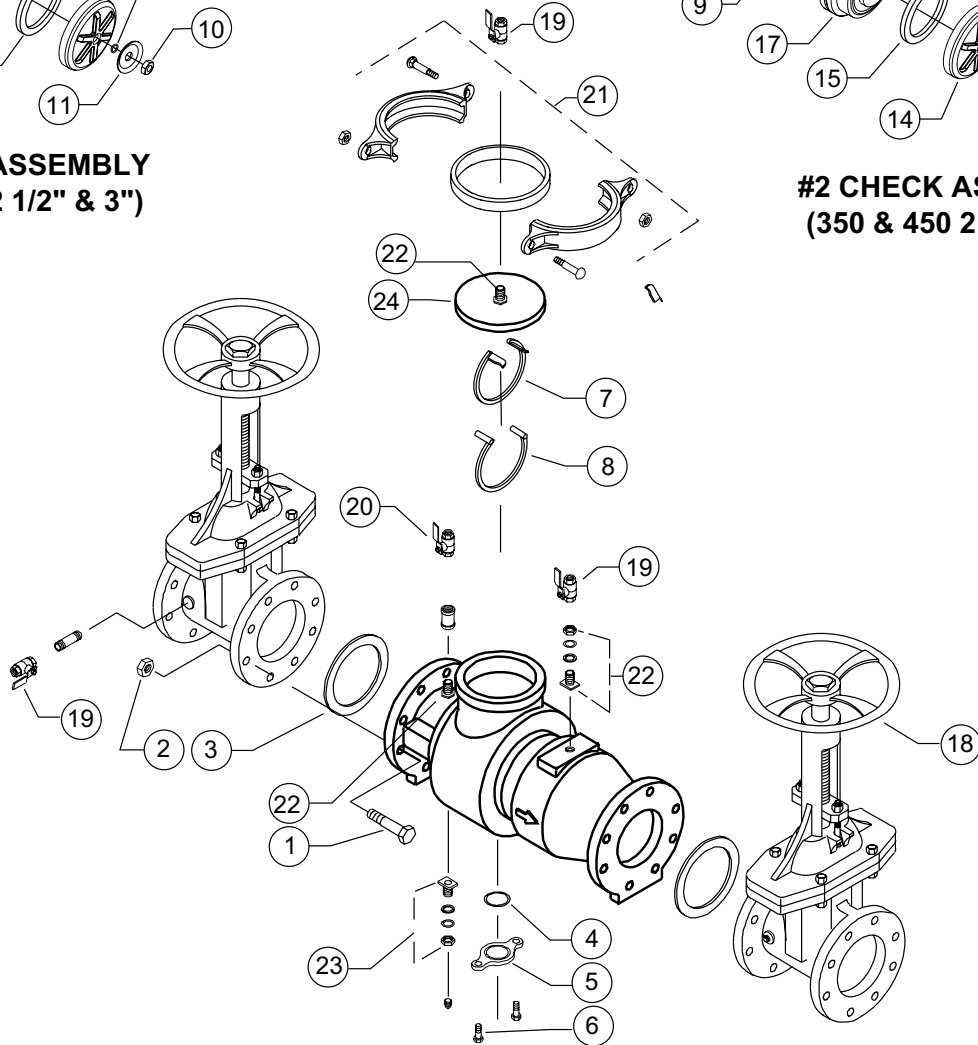
Parts Drawing



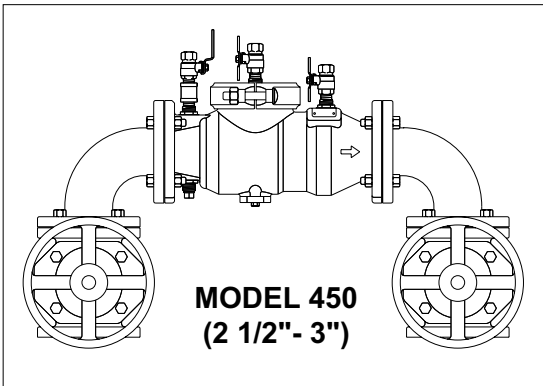
#1 CHECK ASSEMBLY
(350 & 450 2 1/2" & 3")



#2 CHECK ASSEMBLY
(350 & 450 2 1/2" & 3")



MODEL 350
(2 1/2" - 3")



MODEL 450
(2 1/2" - 3")

MODEL 350A and 350



Double Check – Backflow Preventers 350A (2-1/2" to 10") and 350 (4" to 12")

Repair Kit Components		2-1/2" - 4"						4"		6"				8"		8" - 12"			10"	12"	
Size Range	RK212-350-COVERPLATE	RK4-350	RK4-350CK1	RK4-350CK2	RK4-LBF-SEAL-RTNR	BRK4-LBF-SEATRTNR	BRK4-LBF-SEAT2RTNR	4-BK	RK6-350	RK6-350CK1	RK6-350CK2	BRK6-LBF-SEATRTNR	BRK6-LBF-SEAT2RTNR	6-BK	8-BK	RK8-350	RK8-350CK1	RK8-350CK2	RK8-350-COVERPLATE	10-BK	12-BK
2-1/2"	•	•	•	•	•	•	•														
3"	•	•	•	•	•	•	•														
4"	•	•	•	•	•	•	•	•													
6"									•	•	•	•	•	•							
8"														•	•	•	•	•	•	•	•
10"															•	•	•	•	•	•	•
12"															•	•	•	•	•	•	•

Item #	Item Description	2-1/2"	3"	4"	6"	8"	10"	12"
1	Bolt, Flange			•(x16)		•(x16)		•(x24)
2	Nut, Flange			•(x16)		•(x16)		•(x24)
3	Gasket, Flange			•(x2)		•(x2)		•(x2)
4	O-Ring, Cover Plate	•						•
5	Cover Plate	•						•
6	Bolt, Cover Plate	•(x2)						•(x2)
7	Seat Retainer #1		•	•(x6)	•	•(x6)	•(x4)	•(x7)
8	Seat Retainer #2		•	•(x12)	•(x2)	•(x12)		
9	O-Ring, Check	•(x2)	•				•(x2)	
10	Bolt, Poppet Retainer		•(x4)	•(x4)			•(x6)	•(x6)
11	Handle, #1 Poppet Assembly		•		•			
12	Washer, Poppet Bolt		•(x4)	•(x4)			•(x6)	•(x6)
13	O-Ring, Poppet Bolt	•(x8)	•(x4)	•(x4)	•(x8)	•(x4)	•(x12)	•(x6)
14	Poppet Retainer		•	•	•	•	•	•
15	Seal Ring	•(x2)	•		•(x2)	•	•(x2)	
16	Seat Assembly, #1 Poppet		•		•		•	
17	Seat Assembly, #2 Poppet		•		•		•	
18	Washer, Seat Retainer						•(x4)	•(x7)

Whole Goods (Available for individual sale)									
Item #	Item Description	2-1/2"	3"	4"	6"	8"	10"	12"	
19	Gate Valve, NRS (FxF)	212-48	3-48	4-48	6-48	8-48	10-48	12-48	
	Gate Valve, NRS (GxG)	212-48G	3-48G	4-48G	6-48G	8-48G	10-48G	12-48G	
	Gate Valve, NRS (GxF)	212-48GXF	3-48GXF	4-48GXF	6-48GXF	8-48GXF	10-48GXF	12-48GXF	
	Gate Valve, OS&Y (FxF)	212-48OSY	3-48OSY	4-48OSY	6-48OSY	8-48OSY	10-48OSY	12-48OSY	
	Gate Valve, OS&Y (GxG)	212-48OSYG	3-48OSYG	4-48OSYG	6-48OSYG	8-48OSYG	10-48OSYG	12-48OSYG	
	Gate Valve, OS&Y (GxF)	212-48OSYGXF	3-48OSYGXF	4-48OSYGXF	6-48OSYGXF	8-48OSYGXF	10-48OSYGXF	12-48OSYGXF	
	Butterfly Valve (GxG)	212-49G	3-49G	4-49G	6-49G	8-49G	10-49G	12-49G	
	Butterfly Valve (GxF)	212-49GXF	3-49GXF	4-49GXF	6-49GXF	8-49GXF	10-49GXF	12-49GXF	
20	Ball Valve, FxF		12-850XL			34-850XL			
21	Ball Valve, MxF		12-850MXL			34-850MXL			
22	Cover Retainer Assembly		6-23		8-23		10-23	12-23	
23	Grooved Coupling	4X212-23	4X3-23	4-23	6-23	8-23		12-23	
24	Bulkhead Fittings		BHF1CX1-100				BHF2BXL-100		
25	Sensing Line Bulkhead Fittings		BHF1BXL-100				BHF2CXL-100		
26	Cover	RK4-LBF-VALVE-COVER			RK6-LBF-VALVE-COVER		RK8-LBF-VALVE-COVER		

Item No.	Repair Kit Description
RK212-350-COVERPLATE	Cover Plate Repair Kit, 2-1/2" - 4" 350A
RK4-350	Standard Repair Kit, 2-1/2" - 4" 350A
RK4-350CK1	#1 Check Assembly Repair Kit, 2-1/2" - 4" 350A
RK4-350CK2	#2 Check Assembly Repair Kit, 2-1/2" - 4" 350A
RK4-LBF-SEAL-RTNR	Poppet Retainer Repair Kit, 2-1/2" - 4" 350A
BRK4-LBF-SEATRTNR	Bulk #1 Seat Retainer Kit, 2-1/2" - 4" 350A
BRK4-LBF-SEAT2RTNR	Bulk #2 Seat Retainer Kit, 2-1/2" - 4" 350A
4"	
4-BK	Flanged Kit, 4"

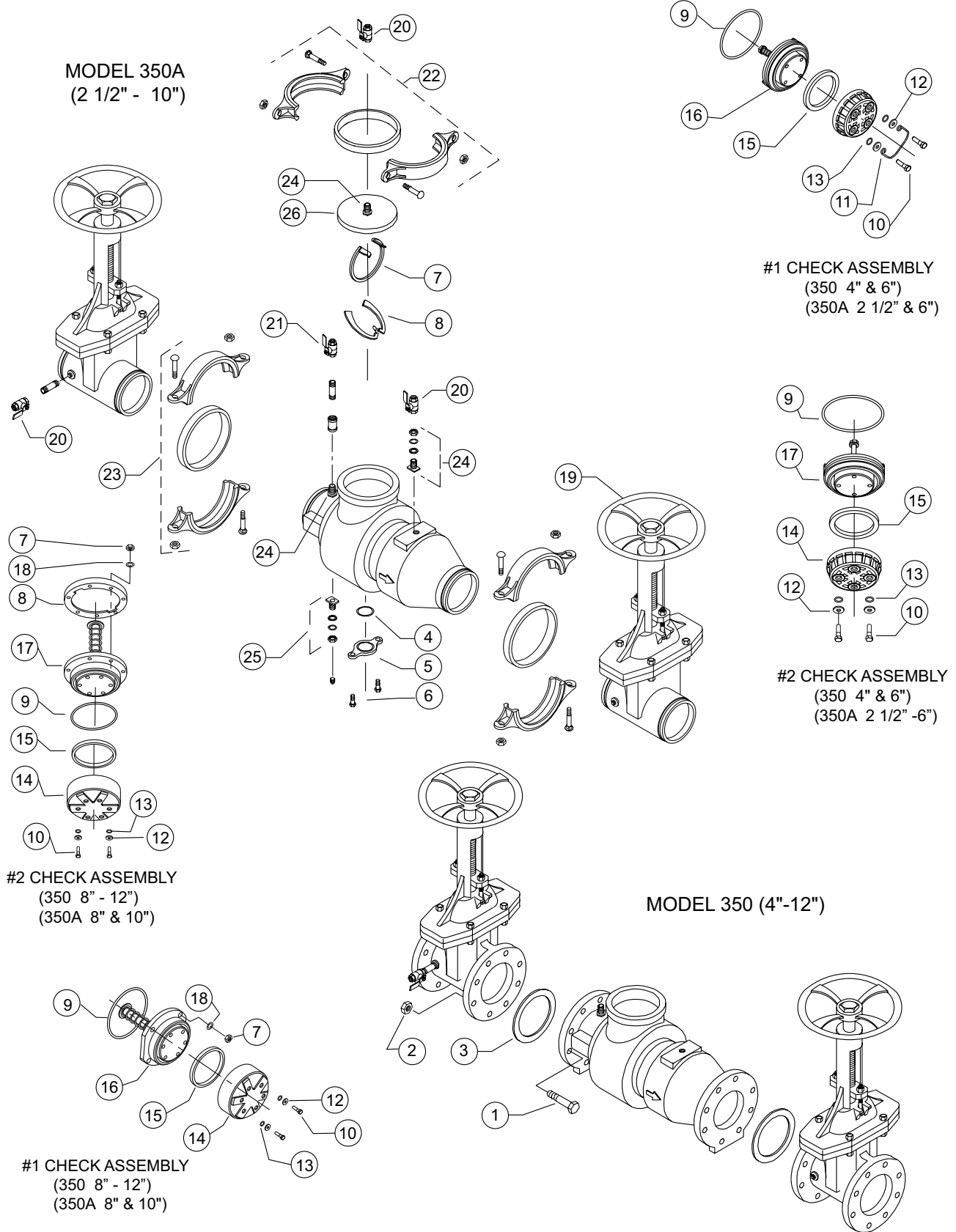
Item No.	Repair Kit Description
6"	
RK6-350	Standard Repair Kit, 6" 350A
RK6-350CK1	#1 Check Assembly Repair Kit, 6" 350A
RK6-350CK2	#2 Check Assembly Repair Kit, 6" 350A
BRK6-LBF-SEATRTNR	Bulk #1 Seat Retainer Kit, 6" 350A
BRK6-LBF-SEAT2RTNR	Bulk #2 Seat Retainer Kit, 6" 350A
6-BK	Flanged Kit, 6"
8"	
8-BK	Flanged Kit, 4"

Item No.	Repair Kit Description
8" - 12"	
RK8-350	Standard Repair Kit, 8" - 12" 350A
RK8-350CK1	#1 Check Assembly Repair Kit, 8" - 12" 350A
RK8-350CK2	#2 Check Assembly Repair Kit, 8" - 12" 350A
RK8-350-COVERPLATE	Cover Plate Repair Kit, 8" - 12" 350A
10"	
10-BK	Flanged Kit, 10"
12"	
12-BK	Flanged Kit, 12"

MODEL 350A and 350

Double Check – Backflow Preventers 350A (2-1/2" to 10") and 350 (4" to 12")

Parts Drawing



MODEL 350A
(2 1/2" - 10")

#1 CHECK ASSEMBLY
(350 4" & 6")
(350A 2 1/2" & 6")

#2 CHECK ASSEMBLY
(350 8" - 12")
(350A 8" & 10")

#2 CHECK ASSEMBLY
(350 4" & 6")
(350A 2 1/2" - 6")

MODEL 350 (4"-12")

#1 CHECK ASSEMBLY
(350 8" - 12")
(350A 8" & 10")

MODEL 350AST

Stainless Steel Double Check – Backflow Preventers 2-1/2" to 10"



Repair Kit Components		2-1/2"	3" and 4"	2-1/2" - 6"				6"			8"		8" and 10"		10"				
Size Range		RK212-350ASTCK2	RK4-350ASTCK2	RK4-350	RK4-350ASTCK1	RK4-350AST-COVRPLATE	BRK4-SSLBF-SEATIRTNR	BRK4-SSLBF-SEATZRTNTR	RK6-350	RK6-350ASTCK1	RK6-350ASTCK2	BRK6-SSLBF-SEATIRTNR	BRK6-SSLBF-SEATZRTNTR	RK8-350ASTCK1	RK8-350ASTCK2	RK8-350	RK8-350-COVRPLATE	RK10-350ASTCK1	RK10-350ASTCK2
2-1/2"		•		•	•	•	•	•											
3"			•	•	•	•	•	•											
4"			•	•	•	•	•	•											
6"									•	•	•	•	•						
8"														•	•	•	•		
10"															•	•	•	•	•
Item #	Item Description																		
1	O-Ring, Cover Plate					•												•	
2	Cover Plate					•												•	
3	Bolt, Cover Plate					•(x2)												•(x2)	
4	Seat Retainer #1						•(x6)		•		•(x6)								
5	Seat Retainer #2		•(x2)					•(x6)		•		•(x6)							
6	O-Ring, Seat	•	•	•(x2)	•			•(x2)	•	•				•	•	•(x2)		•	•
7	Bolt, Poppet Retainer	•(x4)	•(x4)		•(x4)				•(x4)	•(x4)				•(x6)	•(x6)			•(x6)	•(x6)
8	Handle, #1 Poppet Assembly				•				•										
9	Washer	•(x4)	•(x4)		•(x4)				•(x4)	•(x4)				•(x6)	•(x6)			•(x6)	•(x6)
10	O-Ring, Retainer	•(x4)	•(x4)	•(x8)	•(x4)			•(x8)	•(x4)	•(x4)				•(x6)	•(x6)	•(x12)		•(x6)	•(x6)
11	Poppet Retainer	•	•		•				•	•				•	•			•	•
12	Seal Ring	•	•	•(x2)	•			•(x2)	•	•				•	•	•(x2)		•	•
13	Seat Assembly, #1 Poppet				•				•					•				•	
14	Seat Assembly, #2 Poppet	•	•							•									•
15	Washer, Seat Retainer													•(x4)	•(x7)			•(x4)	•(x7)
16	Nut, Seat Retainer													•(x4)	•(x7)			•(x4)	•(x7)

Whole Goods (Available for individual sale)

Item #	Item Description	2-1/2"	3"	4"	6"	8"	10"
17	Gate Valve, NRS (GxG)	212-48G	3-48G	4-48G	6-48G	8-48G	10-48G
	Gate Valve, NRS (GxF)	212-48GXF	3-48GXF	4-48GXF	6-48GXF	8-48GXF	10-48GXF
	Gate Valve, OS&Y (GxG)	212-48OSYG	3-48OSYG	4-48OSYG	6-48OSYG	8-48OSYG	10-48OSYG
	Gate Valve, OS&Y (GxF)	212-48OSYGXF	3-48OSYGXF	4-48OSYGXF	6-48OSYGXF	8-48OSYGXF	10-48OSYGXF
	Butterfly Valve (GxG)	212-49G	3-49G	4-49G	6-49G	8-49G	10-49G
	Butterfly Valve (GxF)	212-49GXF	3-49GXF	4-49GXF	6-49GXF	8-49GXF	10-49GXF
18	Ball Valve, FxF		12-85OXL			34-85OXL	
19	Ball Valve, MxF		12-85OMXL			34-85OMXL	
20	Cover Retainer Assembly		6-23		8-23		12-23
21	Grooved Coupling	212-23	3-23	4-23	6-23	8-23	10-23
22	Cover		3509ST-3		3510ST-3		3511ST-3

Item No.	Repair Kit Description
2-1/2"	
RK212-350ASTCK2	#2 Check Assembly Repair Kit, 2-1/2" 350AST
3" and 4"	
RK4-350ASTCK2	#2 Check Assembly Repair Kit, 3" - 4" 350AST
2-1/2" - 6"	
RK4-350	Standard Repair Kit, 2-1/2" - 4" 350AST
RK4-350ASTCK1	#1 Check Assembly Repair Kit, 2-1/2" - 4" 350AST
RK4-350AST-COVRPLATE	Cover Plate Repair Kit, 2-1/2" - 4" 350AST
BRK4-SSLBF-SEATIRTNR	Bulk #1 Seat Retainer Repair Kit, 2-1/2" - 4" 350AST
BRK4-SSLBF-SEATZRTNTR	Bulk #2 Seat Retainer Repair Kit, 2-1/2" - 4" 350AST
6"	
RK6-350	Standard Repair Kit, 6" 350AST
RK6-350ASTCK1	#1 Check Assembly Repair Kit, 6" 350AST
RK6-350ASTCK2	#2 Check Assembly Repair Kit, 6" 350AST
BRK6-SSLBF-SEATIRTNR	Bulk #1 Seat Retainer Repair Kit, 6" 350AST
BRK6-SSLBF-SEATZRTNTR	Bulk #2 Seat Retainer Repair Kit, 6" 350AST

Item No.	Repair Kit Description
8"	
RK8-350ASTCK1	#1 Check Assembly Repair Kit, 8" 350AST
RK8-350ASTCK2	#2 Check Assembly Repair Kit, 8" 350AST
8" and 10"	
RK8-350	Standard Repair Kit, 8" - 10" 350AST
RK8-350AST-COVRPLATE	Cover Plate Repair Kit, 8" - 10" 350AST
10"	
RK10-350ASTCK1	#1 Check Assembly Repair Kit, 10" 350AST
RK10-350ASTCK2	#2 Check Assembly Repair Kit, 10" 350AST

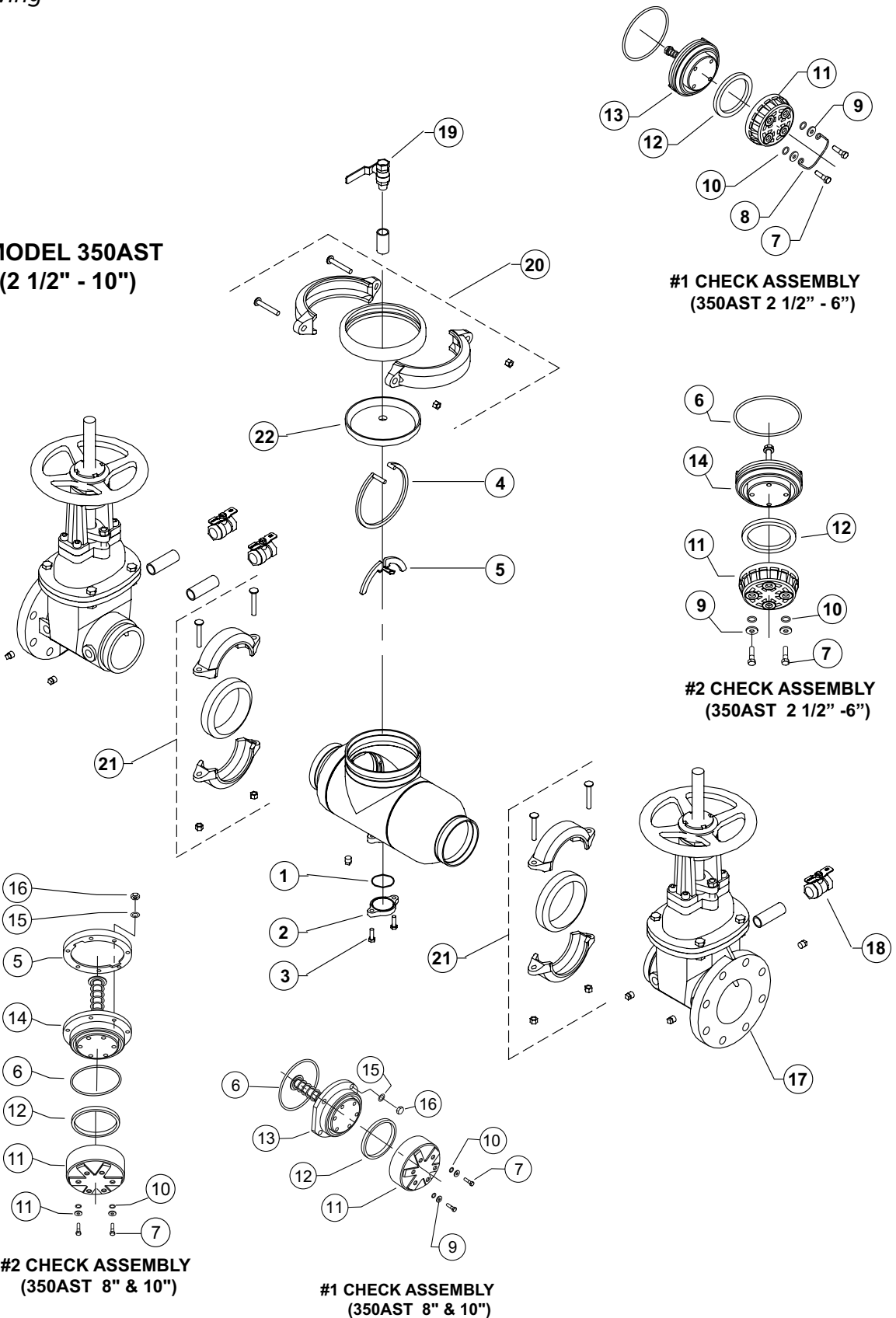
MODEL 350AST

Stainless Steel Double Check – Backflow Preventers 2-1/2" to 10"

Parts Drawing



**MODEL 350AST
(2 1/2" - 10")**



**#1 CHECK ASSEMBLY
(350AST 2 1/2" - 6")**

**#2 CHECK ASSEMBLY
(350AST 2 1/2" - 6")**

**#2 CHECK ASSEMBLY
(350AST 8" & 10")**

**#1 CHECK ASSEMBLY
(350AST 8" & 10")**

MODEL 450

Double Check – Backflow Preventers 4" to 10"



Repair Kit Components		4"					4" and 6"	6"					8" and 10"			
Size Range		RK4-350	RK4-350CK1	RK4-350CK2	BRK4-LBF-SEAT1RTNR	BRK4-LBF-SEAT2RTNR	RK212-450-COVERPLATE	RK6-350	RK6-350CK1	RK6-350CK2	BRK6-LBF-SEAT1RTNR	BRK6-LBF-SEAT2RTNR	RK8-350	RK8-350CK1	RK8-350CK2	RK8-350-COVERPLATE
4"		•	•	•	•	•	•									
6"							•	•	•	•	•					
8"												•	•	•	•	
10"												•	•	•	•	
Item #	Item Description															
1	Cover Plate					•										•
2	O-Ring, Cover Plate					•										•
3	Bolt, Cover Plate					•(x2)										•(x2)
4	Seat Retainer #1		•		•(x6)			•		•(x6)			•(x4)	•(x7)		
5	Seat Retainer #2			•		•(x6)			•		•(x6)					
6	O-Ring, Seat	•(x2)	•	•			•(x2)	•	•			•(x2)	•	•		
7	Bolt, Poppet Retainer		•(x4)	•(x4)				•(x4)	•(x4)				•(x6)	•(x6)		
8	Handle, #1 Poppet Assembly		•					•	•							
9	Washer, Poppet Retainer		•(x4)	•(x4)				•(x4)	•(x4)				•(x6)	•(x6)		
10	O-Ring, Poppet Retainer	•(x8)	•(x4)	•(x4)			•(x8)	•(x4)	•(x4)			•(x12)	•(x6)	•(x6)		
11	Poppet Retainer		•	•				•	•				•	•		
12	Seal Ring	•(x2)	•	•			•(x2)	•	•			•(x2)	•	•		
13	Seat Assembly #1 Poppet		•					•					•	•		
14	Seat Assembly #2 Poppet			•					•							
15	Washer, Seat												•(x4)	•(x7)		

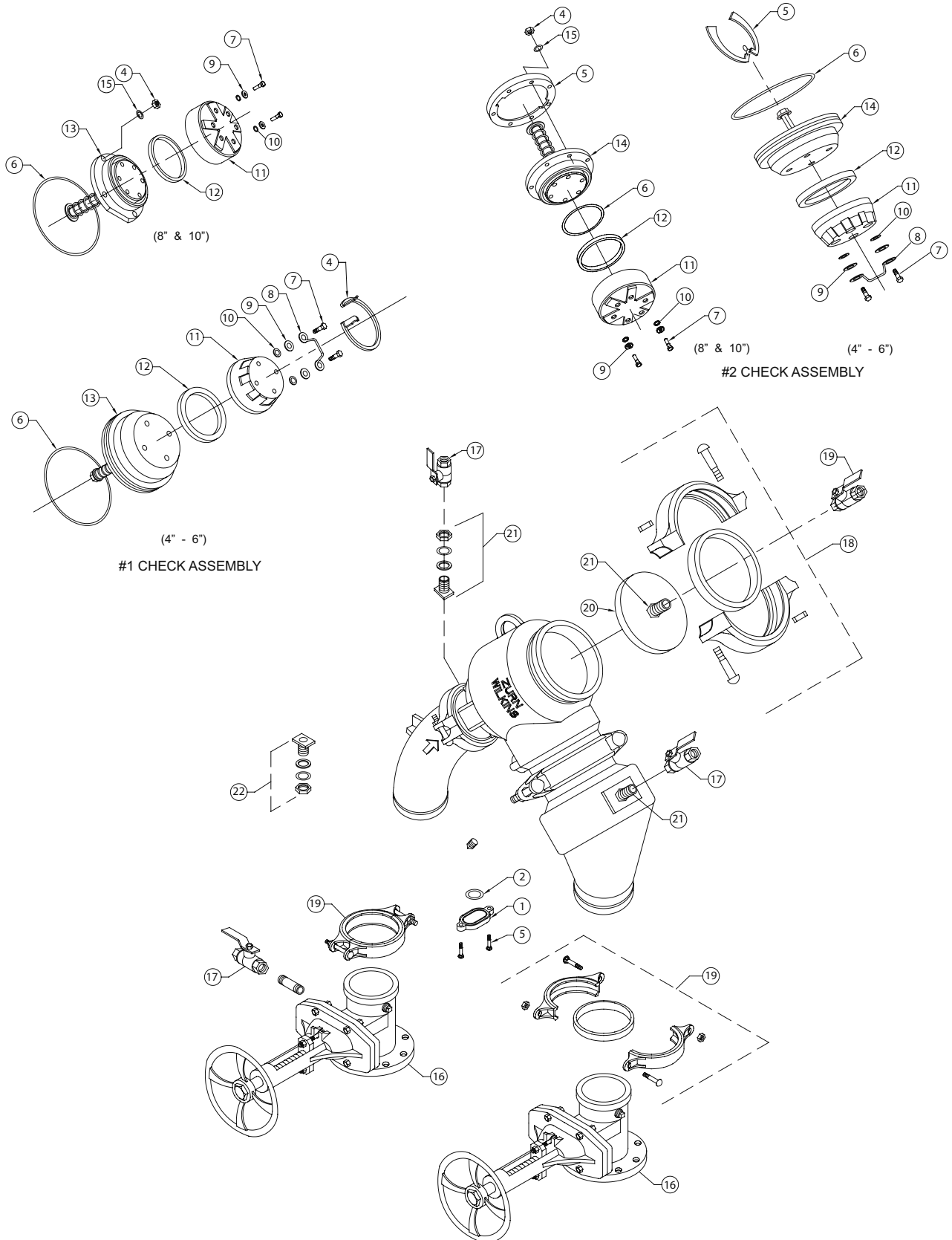
Whole Goods (Available for individual sale)					
Item #	Item Description	4"	6"	8"	10"
16	Gate Valve, NRS (GxG)	4-48G	6-48G	8-48G	10-48G
	Gate Valve, NRS (GxF)	4-48GXF	6-48GXF	8-48GXF	10-48GXF
	Gate Valve, OS&Y (GxG)	4-48OSYG	6-48OSYG	8-48OSYG	10-48OSY
	Gate Valve, OS&Y (GxF)	4-48OSYGF	6-48OSYGF	8-48OSYGF	10-48OSYGF
	Butterfly Valve (GxG)	4-49G	6-49G	8-49G	10-49G
	Butterfly Valve (GxF)	4-49GXF	6-49GXF	8-49GXF	10-49GXF
17	Ball Valve, FxF	12-850XL		34-850XL	
18	Cover Retainer Assembly	6-23	8-23	12-23	12-23
19	Grooved Coupling	4-23	6-23	8-23	10-23
20	Cover	RK4-LBF-VALVE-COVER	RK6-LBF-VALVE-COVER		RK8-LBF-VALVE-COVER
21	Bulkhead Fitting	BHF1CXL-100	BHF2BXL-100		BHF2BXL-100
22	Sensing Line Bulkhead Fitting		BHF1BXL-100		BHF2CXL-100

Item No.	Repair Kit Description
4"	
RK4-350	Standard Repair Kit, 4" 450
RK4-350CK1	#1 Check Assembly Repair Kit, 4" 450
RK4-350CK2	#2 Check Assembly Repair Kit, 4" 450
BRK4-LBF-SEAT1RTNR	Bulk #1 Seat Retainer Repair Kit, 4" 450
BRK4-LBF-SEAT2RTNR	Bulk #2 Seat Retainer Repair Kit, 4" 450
4" and 6"	
RK212-450-COVERPLATE	Cover Plate Repair Kit, 4" and 6" 450
6"	
RK6-350	Standard Repair Kit, 6" 450
RK6-350CK1	#1 Check Assembly Repair Kit, 6" 450
RK6-350CK2	#2 Check Assembly Repair Kit, 6" 450
BRK6-LBF-SEAT1RTNR	Bulk #1 Seat Retainer Repair Kit, 6" 450
BRK6-LBF-SEAT2RTNR	Bulk #2 Seat Retainer Repair Kit, 6" 450
8" and 10"	
RK8-350	Standard Repair Kit, 8" and 10" 450
RK8-350CK1	#1 Check Assembly Repair Kit, 8" and 10" 450
RK8-350CK2	#2 Check Assembly Repair Kit, 8" and 10" 450
RK8-350-COVERPLATE	Cover Plate Repair Kit, 8" and 10" 450

MODEL 450

Double Check – Backflow Preventers 4" to 10"

Parts Drawing



MODEL 450ST

Stainless Steel Double Check – Backflow Preventers 4" to 10"



Repair Kit Components		4"			4" and 6"	6"			8" and 10"		
Size Range		RK4-350	RK4-450STCK4	BRK4-SSLBF-SEATRTNR	RK4-350AST-COVRPLATE	RK6-350	RK6-450STCK4	BRK6-SSLBF-SEATRTNR	RK8-350	RK8-350-COVRPLATE	RK8-450STCK1
4"		•	•	•	•						
6"					•	•	•	•			
8"									•	•	•
10"									•	•	•
Item #	Item Description										
1	O-Ring, Cover Plate				•					•	
2	Relief Cover Plate				•					•	
3	Bolt, Cover Plate				•(x2)					•(x2)	
4	Seat Retainer		•	•(x6)			•	•(x6)			
5	O-Ring, Seat	•(x2)	•			•(x2)	•		•(x2)		•
6	Bolt, Poppet Retainer		•(x4)				•(x4)				•(x6)
7	Handle, Poppet Assembly		•				•				•
8	Washer		•(x4)				•(x4)				•(x6)
9	O-Ring, Retainer	•(x8)	•(x4)			•(x8)	•(x4)		•(x12)		•(x6)
10	Poppet Retainer		•				•				•
11	Seal Ring	•(x2)	•			•(x2)	•		•(x2)		•
12	Seat Assembly		•				•				•
13	Washer, Seat Retainer										•(x4)
14	Nut, Seat Retainer										•(x4)

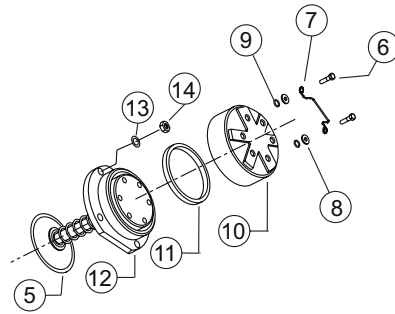
Whole Goods (Available for individual sale)					
Item #	Item Description	4"	6"	8"	10"
15	Gate Valve, NRS (GxG)	4-48G	6-48G	8-48G	10-48G
	Gate Valve, NRS (GxF)	4-48GXF	6-48GXF	8-48GXF	10-48GXF
	Gate Valve, OS&Y (GxG)	4-48OSYG	6-48OSYG	8-48OSYG	10-48OSYG
	Gate Valve, OS&Y (GxF)	4-48OSYGXF	6-48OSYGXF	8-48OSYGXF	10-48OSYGXF
	Butterfly Valve (GxG)	4-49G	6-49G	8-49G	10-49G
	Butterfly Valve (GxF)	4-49GXF	6-49GXF	8-49GXF	10-49GXF
16	Grooved Coupling, Cover	6-23	8-23		12-23
17	Ball Valve, Cover	12-850MXL		34-850XL	
18	Ball Valve, Shut Off Valve	12-850XL		34-850XL	
19	Grooved Coupling, Body	4-23	6-23	8-23	10-23
20	Cover	3509ST-3	3510ST-3		3511ST-3

Item No.	Repair Kit Description
4"	
RK4-350	Rubber Kit, 4"
RK4-450STCK4	#1 and #2 Check Assembly Kit, 4"
BRK4-SSLBF-SEATRTNR	Bulk Seat Retainer Kit, 4"
4" and 6"	
RK4-350AST-COVRPLATE	Cover Plate Kit, 4" and 6"
6"	
RK6-350	Rubber Kit, 6"
RK6-450STCK4	#1 and #2 Check Assembly Kit, 6"
BRK6-SSLBF-SEATRTNR	Bulk Seat Retainer Kit, 6" 450ST
8" and 10"	
RK8-350	Rubber Kit, 8" - 10"
RK8-350-COVRPLATE	Cover Plate Kit, 8" - 10"
RK8-450STCK1	#1 and #2 Check Assembly Kit, 8" - 10"

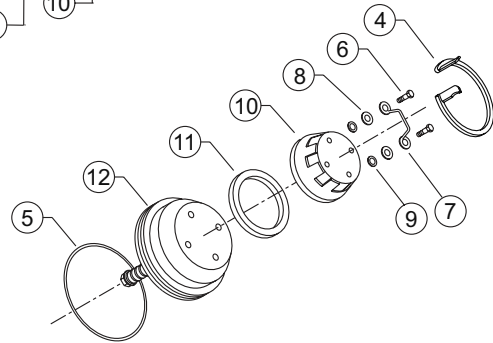
MODEL 450ST

Stainless Steel Double Check – Backflow Preventers 4" to 10"

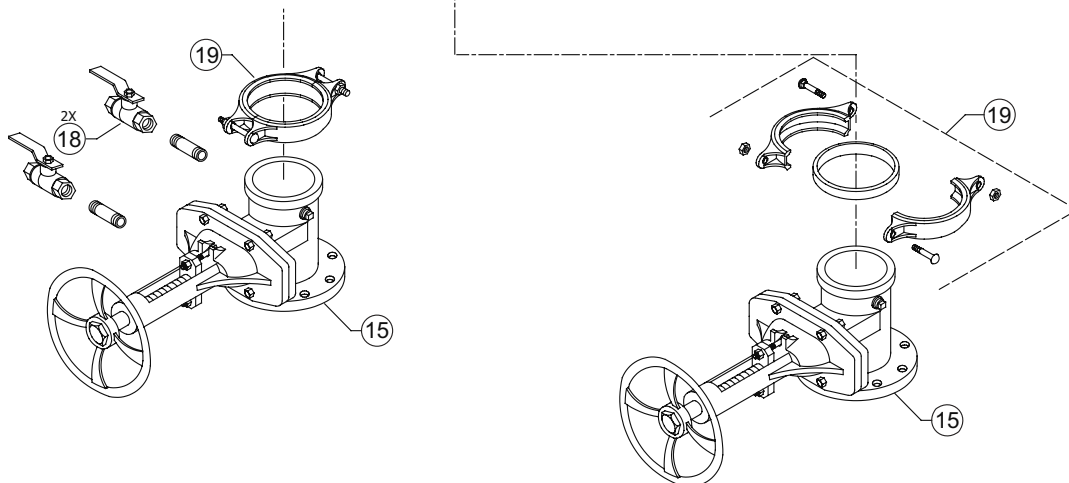
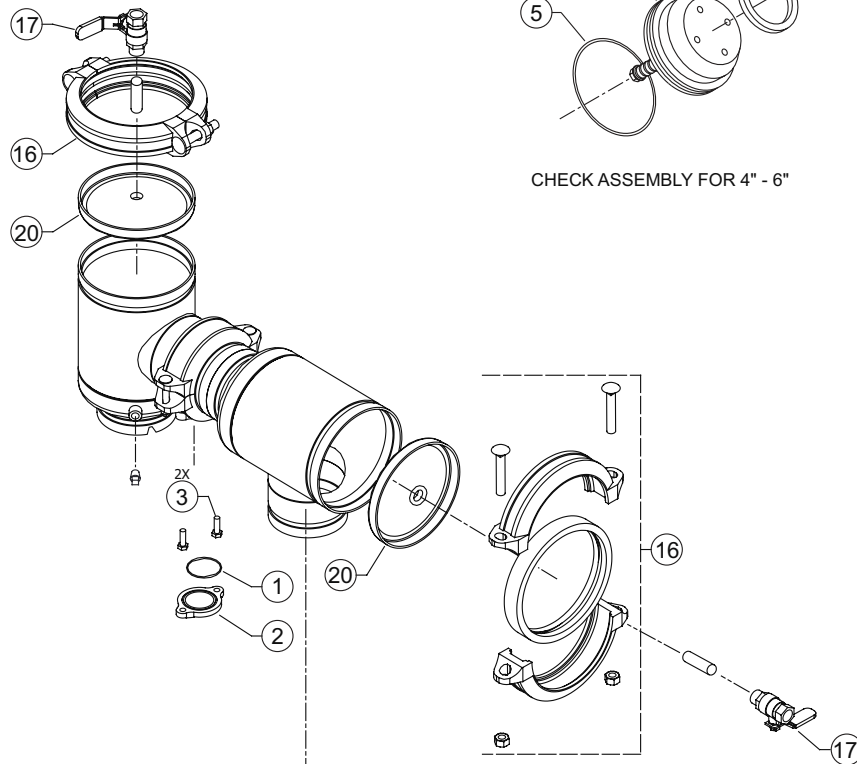
Parts Drawing



CHECK ASSEMBLY FOR 8" - 10"



CHECK ASSEMBLY FOR 4" - 6"



MODEL 375ST



Stainless Steel Reduced Pressure Principle – Backflow Preventers 1/2" to 1"

Repair Kit Components		1/2"		3/4"		1/2" and 3/4"						1"												
Item #	Item Description	RK12-375STBV1	RK12-375STBV2	RK34-375STBV1	RK34-375STBV2	RK34-375	RK34-375R	RK34-375VST	RK34-375W	RK34-375BOF	RK34-375FLUSH	RK34-375-RVCOVER	RK34-375STBVHD	RK1-375STBV1	RK1-375STBV2	RK1-375	RK1-375R	RK1-375VST	RK1-375W	RK1-375BOF	RK1-375FLUSH	RK1-375-RVCOVER	RK1-375STBVHD	
1	Wedge Screw								•(x2)										•(x2)					
2	Wedge								•										•					
3	O-Ring, Sleeve	•		•		•	•		•					•		•	•		•					
4	Sleeve								•										•					
5	O-Ring, #1 Check Seat					•	•	•								•	•	•						
6	#1 Check Seat					•		•								•		•						
7	Poppet Screw					•(x2)		•(x2)								•(x2)		•(x2)						
8	Check Seal Retainer					•(x2)		•(x2)								•(x2)		•(x2)						
9	Check Seal Ring					•(x2)	•(x2)	•(x2)								•(x2)	•(x2)	•(x2)						
10	Poppet					•(x2)		•(x2)								•(x2)		•(x2)						
11	#1 Check Spring					•		•								•		•						
12	#1 Check Spring Retainer					•		•								•		•						
13	O-Ring, #2 Check Seat					•	•	•								•	•	•						
14	#2 Check Seat					•		•								•		•						
15	#2 Check Spring					•		•								•		•						
16	#2 Check Spring Retainer					•		•								•		•						
17	O-Ring, Housing Inlet					•	•	•		•	•					•	•	•			•	•		
18	Test Cock, SS							•(x3)										•(x3)						
19	Check Housing							•										•						
20	O-Ring, Housing Outlet		•		•	•	•	•		•	•				•	•	•	•			•	•		
21	O-Ring, Relief Valve Cover					•	•	•								•	•	•						
22	O-Ring, Relief Valve Seat					•	•	•								•	•	•						
23	Relief Valve Seat					•		•								•		•						
24	Relief Valve Spring					•		•								•		•						
25	Relief Valve Seal Retaining Screw					•		•								•		•						
26	Relief Valve Seal Ring					•	•	•								•	•	•						
27	Relief Valve Lower Plunger					•		•								•		•						
28	Diaphragm					•	•	•								•	•	•						
29	Relief Valve Upper Plunger					•		•								•		•						
30	O-Ring, Relief Valve Stem					•	•	•								•	•	•						
31	Relief Valve Cover							•				•						•					•	
32	Relief Valve Cover Screw, Short							•(x2)										•(x2)						
	Relief Valve Cover Screw, Long							•(x4)										•(x4)						
33	Inlet Ball Valve, SS	•		•										•										
34	Outlet Ball Valve, SS		•		•										•									
35	Housing, Blow-Out/Flush									•	•										•	•		
	Flush Hose Assembly										•											•		
36	Red Ball Valve, Handle and Nut												•(x2)											•(x2)
	Test Cock Cap Plug							•(x3)										•(x3)						

Whole Goods (Available for individual sale)

Item #	Item Description	3/4"	1"
18	Test Cock, SS		18-860SS

Item No.	Repair Kit Description
RK12-375STBV1	Inlet Ball Valve Repair Kit, 1/2" 375ST
RK12-375STBV2	Outlet Ball Valve Repair Kit, 1/2" 375ST
3/4"	
RK34-375STBV1	Inlet Ball Valve Repair Kit, 3/4" 375ST
RK34-375STBV2	Outlet Ball Valve Repair Kit, 3/4" 375ST

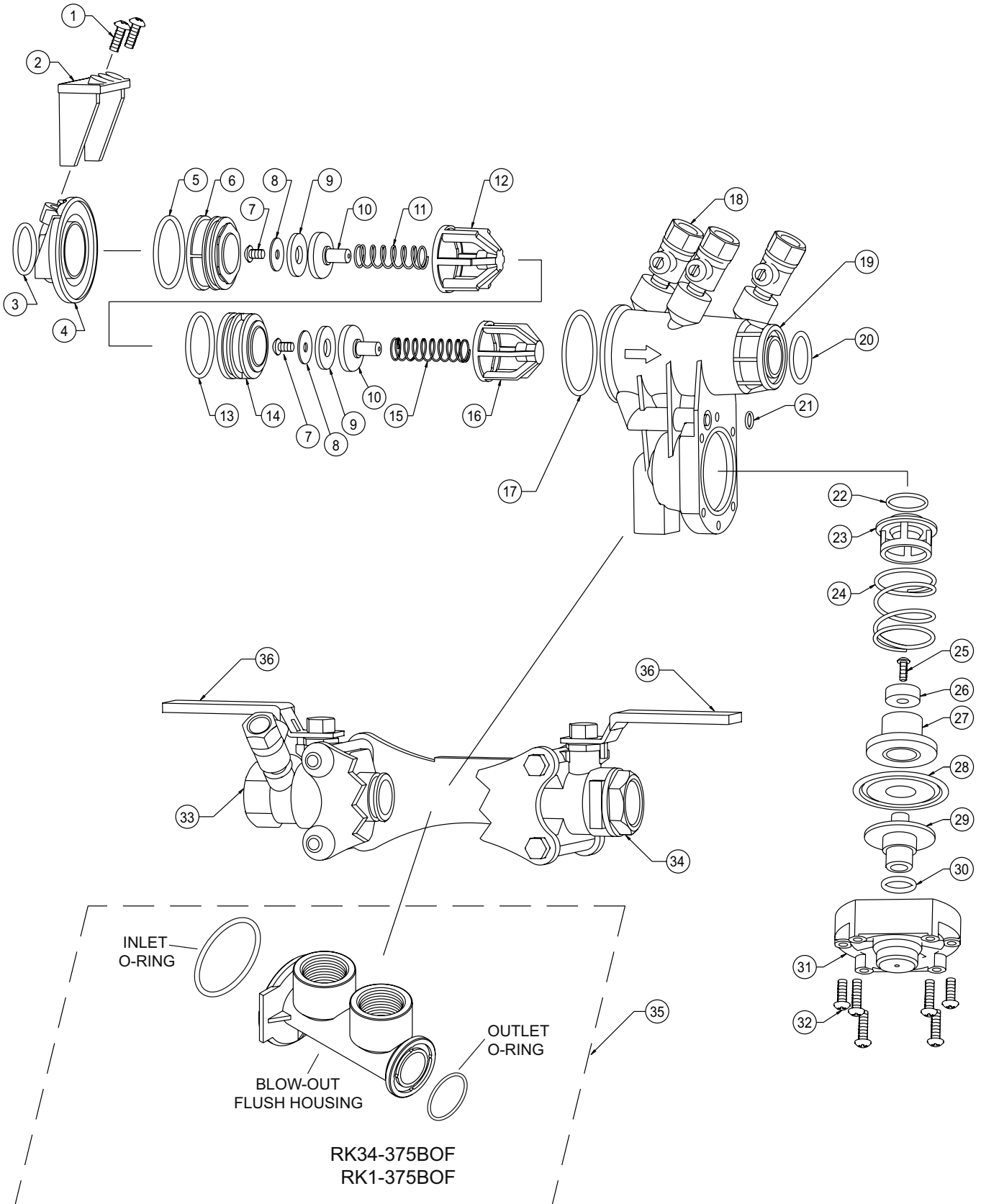
Item No.	Repair Kit Description
RK34-375	Complete Internals Repair Kit, 1/2" and 3/4" 375ST
RK34-375R	Rubber Repair Kit, 1/2" and 3/4" 375ST
RK34-375VST	Complete Pressure Vessel Repair Kit, 1/2" and 3/4" 375ST
RK34-375W	Wedge Assembly Repair Kit, 1/2" and 3/4" 375ST
RK34-375BOF	Blow-Out/Flush Fitting Repair Kit, 1/2" and 3/4" 375ST
RK34-375FLUSH	Flush Kit, 1/2" and 3/4" 375 Series
RK34-375-RVCOVER	Relief Valve Cover Repair Kit, 1/2" and 3/4" 375ST
RK34-375STBVHD	Red Ball Valve Handle Repair Kit, 1/2" and 3/4"

Item No.	Repair Kit Description
RK1-375STBV1	Inlet Ball Valve Repair Kit, 1" 375ST
RK1-375STBV2	Outlet Ball Valve Repair Kit, 1" 375ST
RK1-375	Complete Internals Repair Kit, 1" 375ST
RK1-375R	Rubber Repair Kit, 1" 375ST
RK1-375VST	Complete Pressure Vessel Repair Kit, 1" 375ST
RK1-375W	Wedge Assembly Repair Kit, 1" 375ST
RK1-375BOF	Blow-Out/Flush Fitting Repair Kit, 1" 375ST
RK1-375FLUSH	Flush Kit, 1" 375ST
RK1-375-RVCOVER	Relief Valve Cover Repair Kit, 1" 375ST
RK1-375STBVHD	Red Ball Valve Handle Repair Kit, 1"

MODEL 375ST

Stainless Steel Reduced Pressure Principle – Backflow Preventers 1/2" to 1"

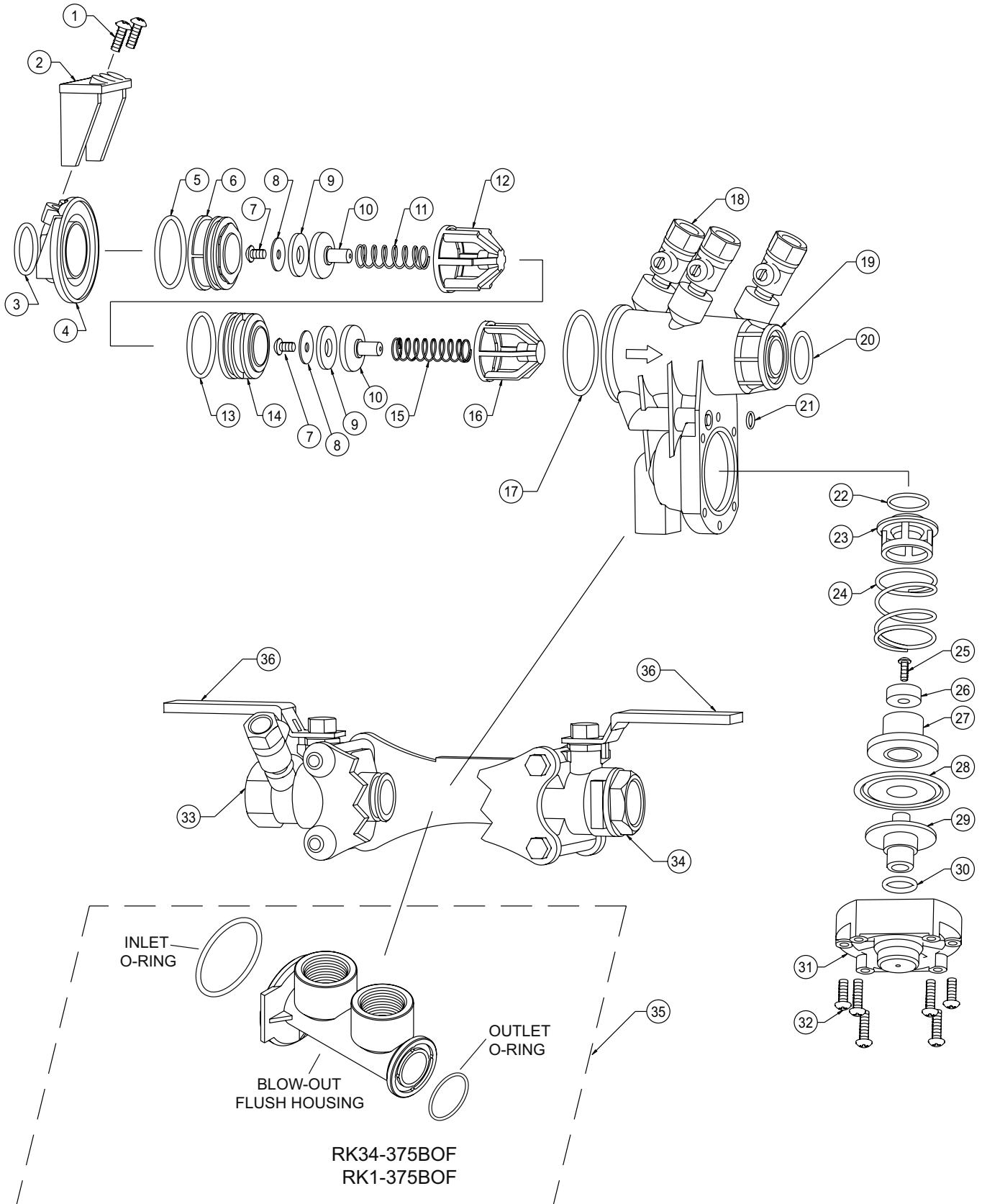
Parts Drawing



MODEL 375XL and 375

Reduced Pressure Principle – Backflow Preventers 1/2" to 1"

Parts Drawing



MODEL 375XL and 375



Reduced Pressure Principle – Backflow Preventers 1-1/4" to 2"

Repair Kit Components		1-1/4"					1-1/2"					2"					1-1/4" - 2"							
Item #	Item Description	RK114-375XLBV1	RK114-375BV1	RK114-375XLBV2	RK114-375BV2	RK114-375BVHD	RK114-375XLBVHD	RK112-375XLBV1	RK112-375BV1	RK112-375XLBV2	RK112-375BV2	RK112-375BVHD	RK112-375XLBVHD	RK2-375XLBV1	RK2-375BV1	RK2-375XLBV2	RK2-375BV2	RK2-375BVHD	RK2-375XLBVHD	RK114-375V	RK114-350-375BOF	RK114-350-375FLUSH	RK114-375	RK114-375R
1	Pressure Vessel																			•				
2	Integral Inlet Ball Valve 375XL	•						•						•										
2	Integral Inlet Ball Valve 375		•						•						•									
3	O-Ring, Ball Valve	•	•	•	•			•	•	•	•			•	•	•	•			•(x2)	•(x2)	•(x2)	•(x2)	•(x2)
4	Sleeve																			•				
5	O-Ring, Sleeve/#1 Seat																			•(x2)	•	•	•(x2)	•(x2)
6	Bolt, Sleeve																			•(x4)				
7	Test Cocks																			•(x3)				
8	Integral Outlet Ball Valve 375XL			•						•						•								
8	Integral Outlet Ball Valve 375				•						•						•							
9	Seat #1																			•			•	
10	Spring #1																			•			•	
11	Spring Retainer #1																			•			•	
12	Bolt, Seat																			•(x2)			•(x2)	
13	Seal Retainer																			•(x2)			•(x2)	
14	Seal Washer																			•(x2)			•(x2)	•(x2)
15	Poppet																			•(x2)			•(x2)	
16	O-Ring, #2 Seat																			•			•	•
17	Seat #2																			•			•	
18	Spring #2																			•(x2)			•	
19	Spring Retainer #2																			•			•	
20	Seal Washer, Relief Valve																			•			•	•
21	Seal Retainer, Relief Valve																			•			•	
22	Bolt, Relief Valve																			•			•	
23	O-Ring, Relief Valve																			•			•	•
24	Nut, Relief Valve																			•			•	
25	O-Ring, Sensing Port																			•(x2)			•(x2)	•(x2)
26	Body, Relief Valve																			•			•	
27	Seat, Relief Valve																			•			•	
28	Spring Guide, Relief Valve																			•			•	
29	Spring, Relief Valve																			•			•	
30	Diaphragm																			•			•	•
31	Plunger, Relief Valve																			•			•	
32	O-Ring, Plunger																			•			•	•
33	O-Ring, Relief Valve Cover																			•			•	•
34	Cover, Relief Valve																			•			•	
35	Bolt, Cover																			•			•	
36	Spacer, #1																			•			•	
37	Body, Blow Out/Flush Flush Hose Assembly																				•	•		
38	Green Ball Valve Handle and Nut						•(x2)						•(x2)				•(x2)							
	Blue Ball Valve Handle and Nut				•(x2)							•(x2)							•(x2)					
	Test Cock Cap Plug																				•(x3)			

Whole Goods (Available for individual sale)				
Item #	Item Description	1-1/4"	1-1/2"	2"
7	Test Cock		14-860XL	

Item No.	Repair Kit Description
RK114-375XLBV1	Inlet Ball Valve Repair Kit, 1-1/4" 375XL
RK114-375BV1	Inlet Ball Valve Repair Kit, 1-1/4" 375
RK114-375XLBV2	Outlet Ball Valve Repair Kit, 1-1/4" 375XL
RK114-375BV2	Outlet Ball Valve Repair Kit, 1-1/4" 375
RK114-375BVHD	Blue Ball Valve Handle Repair Kit, 1-1/4" 375
RK114-375XLBVHD	Green Ball Valve Handle Repair Kit, 1-1/4" 375XL

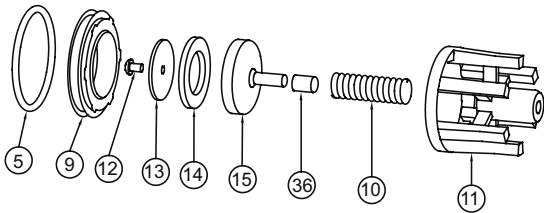
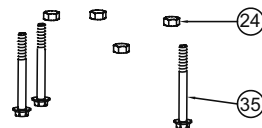
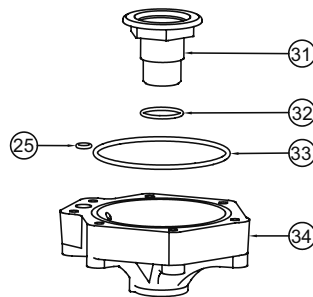
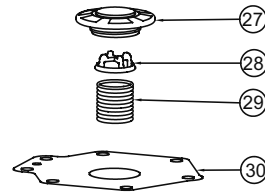
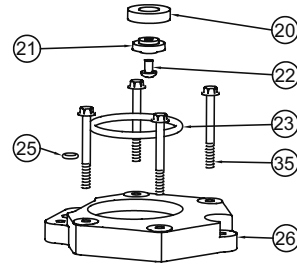
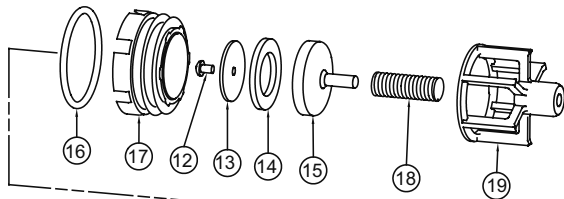
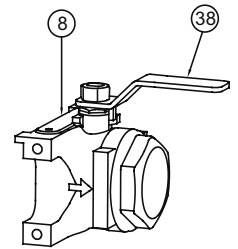
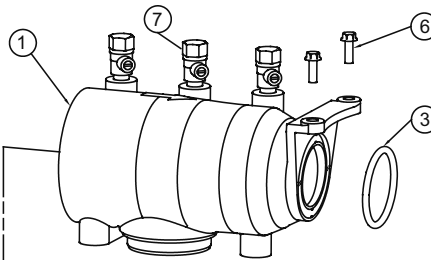
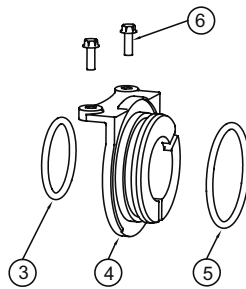
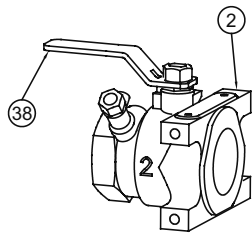
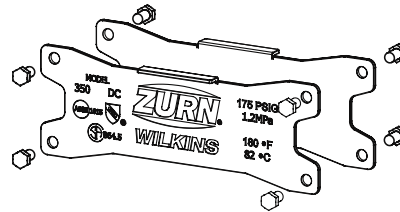
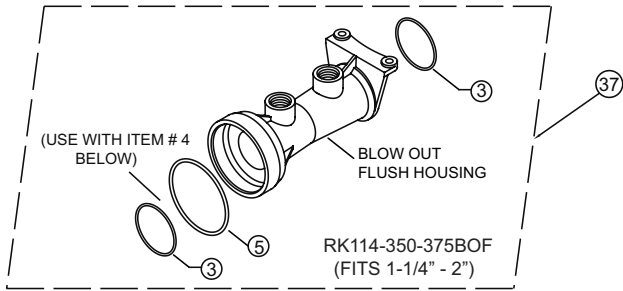
Item No.	Repair Kit Description
RK112-375XLBV1	Inlet Ball Valve Repair Kit, 1-1/2" 375XL
RK112-375BV1	Inlet Ball Valve Repair Kit, 1-1/2" 375
RK112-375XLBV2	Outlet Ball Valve Repair Kit, 1-1/2" 375XL
RK112-375BV2	Outlet Ball Valve Repair Kit, 1-1/2" 375
RK112-375BVHD	Blue Ball Valve Handle Repair Kit, 1-1/2" 375
RK112-375XLBVHD	Green Ball Valve Handle Repair Kit, 1-1/2" 375XL
RK2-375XLBV1	Inlet Ball Valve Repair Kit, 2" 375XL
RK2-375BV1	Inlet Ball Valve Repair Kit, 2" 375
RK2-375XLBV2	Outlet Ball Valve Repair Kit, 2" 375XL
RK2-375BV2	Outlet Ball Valve Repair Kit, 2" 375
RK2-375BVHD	Blue Ball Valve Handle Repair Kit, 2" 375
RK2-375XLBVHD	Green Ball Valve Handle Repair Kit, 2" 375XL

Item No.	Repair Kit Description
RK114-375V	Complete Pressure Vessel Repair Kit, 3/4" 375XL and 375
RK114-350-375BOF	Blow-Out/Flush Fitting Repair Kit, 3/4" 375XL and 375
RK114-350-375FLUSH	Flush Kit, 3/4" 375XL and 375
RK114-375	Check Repair Kit, 1-1/4" - 2" 375XL and 375
RK114-375R	Rubber Repair Kit, 3/4" 375XL and 375

MODEL 375XL and 375

Reduced Pressure Principle - Backflow Preventers 1-1/4" to 2"

Parts Drawing



MODEL 975XLST



Stainless Steel Reduced Pressure Principle – Backflow Preventers 3/8" and 1/2"

Repair Kit Components		3/8" and 1/2"				
Item #	Item Description	RK14-975XL	RK14-975XLC	RK14-975XLR	RK14-975XLSK	RK14-975XLA
1	O-Ring, Cover	● (x2)	● (x2)	● (x2)		● (x2)
2	No. 2 Check Spring	●	●			●
3	No. 1 Check Spring	●	●			●
4	Poppet		● (x2)			
5	Seal Ring	● (x2)	● (x2)	● (x2)		● (x2)
6	Seal Ring Retainer		● (x2)			
7	Retaining Bolt		● (x2)			
8	Check Seat		● (x2)		● (x2)	● (x2)
9	O-Ring, Check Seat		● (x2)		● (x2)	● (x2)
10	O-Ring, Relief Valve Seat		●		●	●
11	Relief Valve Seat		●		●	●
12	Relief Valve Spring	●	●			●
13	Relief Valve Retaining Bolt		●			
14	Relief Valve Seal Ring Retainer		●			
15	Relief Valve Seal Ring	●	●	●		●
16	Relief Valve Lower Plunger		●			
17	Relief Valve Diaphragm	●	●	●		●
18	Relief Valve Upper Plunger		●			
19	O-Ring, Relief Valve Stem	●	●	●		●

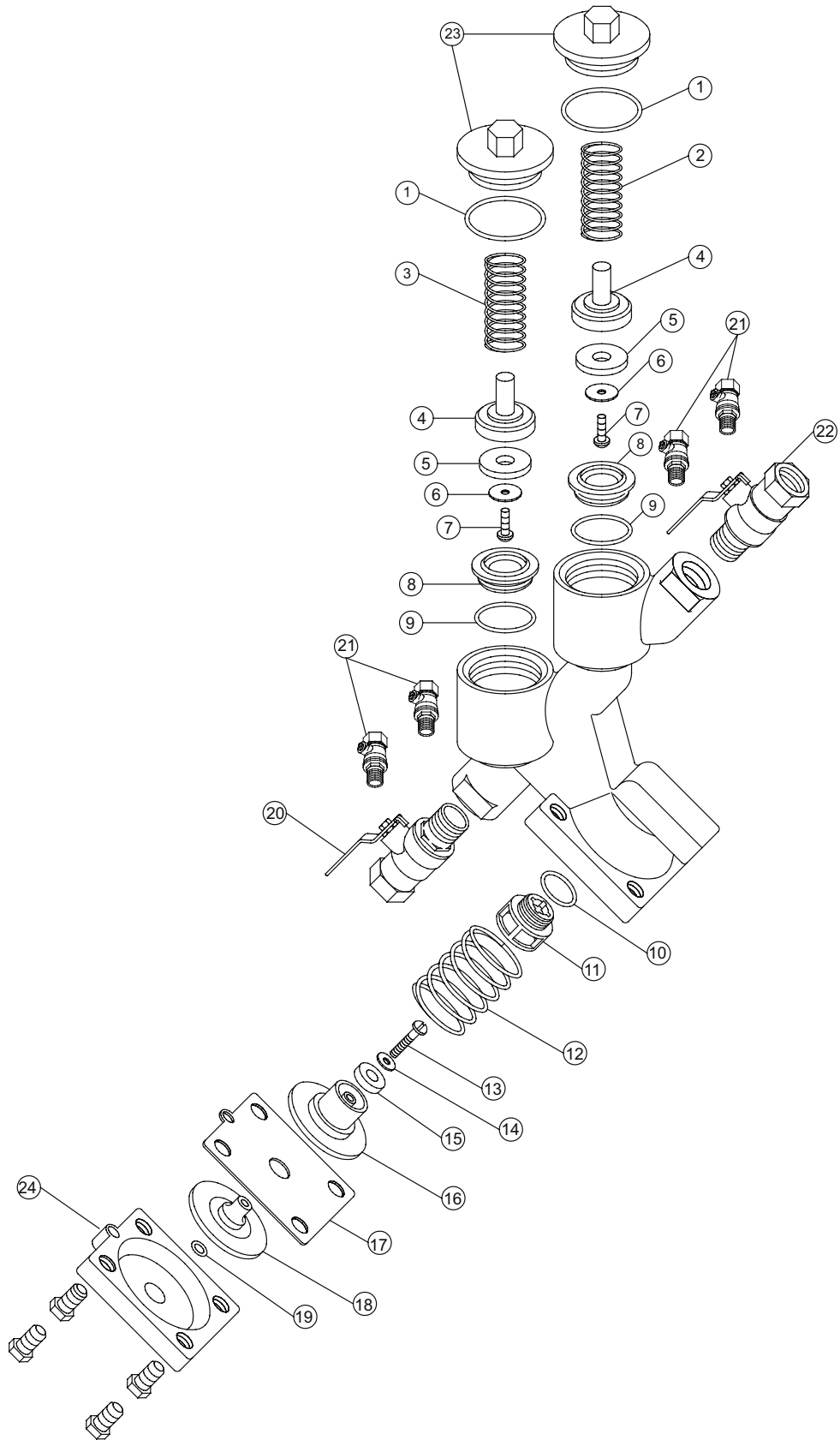
Whole Goods (Available for individual sale)			
Item #	Item Description	3/8"	1/2"
20	Ball Valve, SS Tapped	12-850TMSS/971A-2	12-850TMSS
21	Test Cock, SS		18-860SS
22	Ball Valve	12-850MSS/971A-2	12-850MSS
23	Check Cover		971-3SS-010F
24	Relief Valve Cover and Bolts (X4)		RK38-RVSS-COVER
	Check Seat Tool (x6)		BRK12-SEATTOOL

Item No.	Repair Kit Description
3/8" and 1/2"	
RK14-975XL	Standard Repair Kit, 3/8" and 1/2" 975XLST
RK14-975XLC	Complete Repair Kit, 3/8" and 1/2" 975XLST
RK14-975XLR	Rubber Repair Kit, 3/8" and 1/2" 975XLST
RK14-975XLSK	Seat Repair Kit, 3/8" and 1/2" 975XLST
RK14-975XLA	Standard Repair Kit w/seats, 3/8" and 1/2" 975XLST

MODEL 975XLST

Stainless Steel Reduced Pressure Principle – Backflow Preventers 3/8" and 1/2"

Parts Drawing



MODEL 975XL2 and 975XL



Reduced Pressure Principle – Backflow Preventers 1/4" to 1/2"

Repair Kit Components		1/4" - 1/2"				
Item #	Item Description	RK14-975XL	RK14-975XLC	RK14-975XLR	RK14-975XLSK	RK14-975XLA
1	O-Ring, Cover	● (x2)	● (x2)	● (x2)		● (x2)
2	#2 Check Spring	●	●			●
3	#1 Check Spring	●	●			●
4	Poppet		● (x2)			
5	Seal Ring	● (x2)	● (x2)	● (x2)		● (x2)
6	Seal Ring Retainer		● (x2)			
7	Retaining Bolt		● (x2)			
8	Check Seat		● (x2)		● (x2)	● (x2)
9	O-Ring, Check Seat		● (x2)		● (x2)	● (x2)
10	O-Ring, Relief Valve Seat		●		●	●
11	Relief Valve Seat		●		●	●
12	Relief Valve Spring	●	●			●
13	Relief Valve Retaining Bolt		●			
14	Relief Valve Seal Ring Retainer		●			
15	Relief Valve Seal Ring	●	●	●		●
16	Relief Valve Lower Plunger		●			
17	Relief Valve Diaphragm	●	●	●		●
18	Relief Valve Upper Plunger		●			
19	O-Ring, Relief Valve Stem	●	●	●		●
	Relief Valve and Check Seat Tool					●

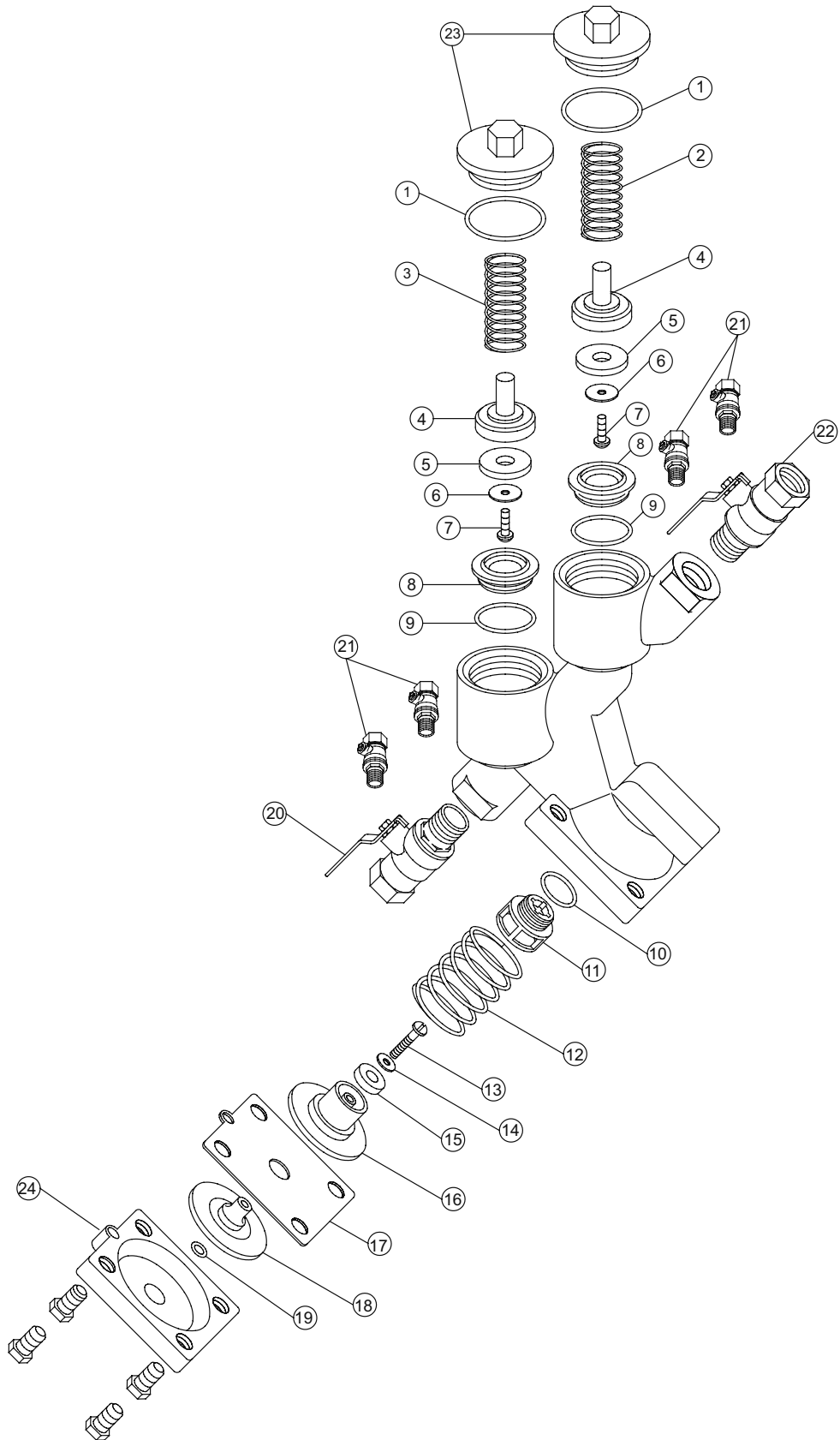
Whole Goods (Available for individual sale)				
Item #	Item Description	1/4"	3/8"	1/2"
20	Ball Valve, Tapped	12-850TMXL/971B-2	12-850TMXL/971A-2	12-850TMXL
21	Test Cock		18-860XL	
22	Ball Valve	12-850MXL/971B-2	12-850MXL/971A-2	12-850MXL
23	Check Cover		971-3XL2-010F	
24	Relief Valve Cover and Bolts		RK12-RV-COVER	
	Check Seat Tool (x6)		BRK12-SEATTOOL	

Item No.	Repair Kit Description
1/4" - 1/2"	
RK14-975XL	Standard Repair Kit, 1/4" - 1/2" 975XL2 and 975XL
RK14-975XLC	Complete Repair Kit, 1/4" - 1/2" 975XL2 and 975XL
RK14-975XLR	Rubber Repair Kit, 1/4" - 1/2" 975XL2 and 975XL
RK14-975XLSK	Seat Repair Kit, 1/4" - 1/2" 975XL2 and 975XL
RK14-975XLA	Standard Repair Kit w/seats, 1/4" - 1/2" 975XL2 and 975XL

MODEL 975XL2 and 975XL

Reduced Pressure Principle – Backflow Preventers – 1/4" to 1/2"

Parts Drawing



MODEL 975XL2 and 975XL

Reduced Pressure Principle – Backflow Preventers 3/4" to 2"



Repair Kit Components		3/4" and 1"							1-1/4" - 2"								
Item #	Item Description	RK34-975XL	RK34-975XLC	RK34-975XLR	RK34-975XLSK	RK34-975XLA	RK34-CK-COVER	RK34-RV-COVER	RK34-975XLRVR	RK114-975XL	RK114-975XLC	RK114-975XLR	RK114-975XLSK	RK114-975XLA	RK114-CK-COVER	RK114-RV-COVER	RK114-975XLRVR
1	O-Ring, Check Seat		•(x2)		•(x2)	•(x2)					•(x2)		•(x2)	•(x2)			
2	Check Seat		•(x2)		•(x2)	•(x2)					•(x2)		•(x2)	•(x2)			
3	Retaining Bolt		•(x2)								•(x2)						
4	Seal Ring Retainer		•(x2)								•(x2)						
5	Seal Ring	•(x2)	•(x2)	•(x2)		•(x2)				•(x2)		•(x2)		•(x2)			
6	Poppet		•(x2)								•(x2)						
7	#1 Check Spring	•	•			•				•	•			•			
8	O-Ring, Cover	•(x2)	•(x2)	•(x2)		•(x2)	•(x2)			•(x2)	•(x2)	•(x2)		•(x2)	•(x2)		
9	Check Cover						•(x2)								•(x2)		
10	#2 Check Spring	•	•			•				•	•			•			
11	O-Ring, Relief Valve Seat		•		•	•					•		•	•			
12	Relief Valve Seat		•		•	•					•		•	•			
13	Relief Valve Spring	•	•			•				•	•			•			
14	Relief Valve Retaining Bolt		•								•						
15	Relief Valve Seal Ring Retainer		•								•						
16	Relief Valve Seal Ring	•	•	•		•			•	•	•	•		•			•
17	Relief Valve Lower Plunger		•								•						
18	Relief Valve Diaphragm	•	•	•		•			•	•	•			•			•
19	Relief Valve Upper Plunger		•								•						
20	O-Ring, Relief Valve Stem	•	•	•		•			•	•	•	•		•			•
21	Relief Valve Cover Bolt							•(x7)								•(x7)	
22	Relief Valve Cover						•								•		
	RV and Check Seat Tool					•							•				

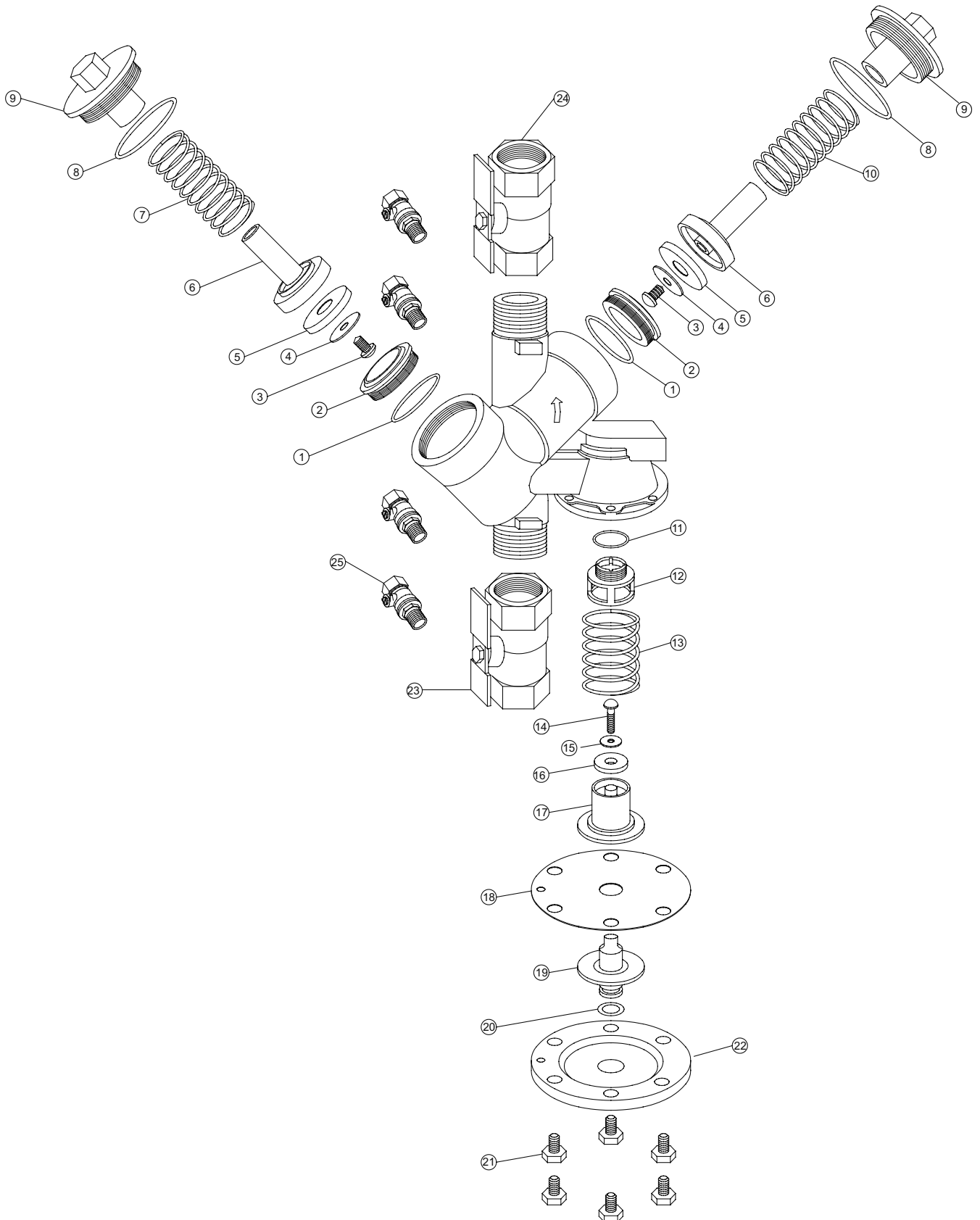
Whole Goods (Available for individual sale)						
Item #	Item Description	3/4"	1"	1-1/4"	1-1/2"	2"
23	Ball Valve, Tapped 975XL2	34-850TXL	1-850TXL	114-850TXL	112-850TXL	2-850TXL
	Ball Valve, Tapped 975XL	34-850T	1-850T	114-850T	112-850T	2-850T
	Butterfly Valve, Tapped		N/A	114-49BRXLT	112-49BRXLT	2-49BRXLT
24	Ball Valve, 975XL2	34-850XL	1-850XL	114-850XL	112-850XL	2-850XL
	Ball Valve, 975XL	34-850	1-850	114-850	112-850	2-850
	Butterfly Valve		N/A	114-49BRXL	112-49BRXL	2-49BRXL
25	Test Cock		18-860		14-860	
	Check Seat Tool (x6)		BRK34-SEATTOOL		BRK114-SEATTOOL	

Item No.	Repair Kit Description
3/4" and 1"	
RK34-975XL	Standard Repair Kit, 3/4" and 1" 975XL2 and 975XL
RK34-975XLC	Complete Repair Kit, 3/4" and 1" 975XL2 and 975XL
RK34-975XLR	Rubber Repair Kit, 3/4" and 1" 975XL2 and 975XL
RK34-975XLSK	Seat Repair Kit 3/4" and 1" 975XL2 and 975XL
RK34-975XLA	Complete Repair Kit w/seats, 3/4" and 1" 975XL2 and 975XL
RK34-CK-COVER	Check Cover Repair Kit 3/4" and 1" 975XL2 and 975XL
RK34-RV-COVER	Relief Valve Cover Repair Kit 3/4" and 1" 975XL2 and 975XL
RK34-975XLRVR	Relief Valve Rubber Repair Kit 3/4" and 1" 975XL2 and 975XL
1-1/4" - 2"	
RK114-975XL	Standard Repair Kit, 1-1/4" - 2" 975XL2 and 975XL
RK114-975XLC	Complete Repair Kit, 1-1/4" - 2" 975XL2 and 975XL
RK114-975XLR	Rubber Repair Kit, 1-1/4" - 2" 975XL2 and 975XL
RK114-975XLSK	Seat Repair Kit 1-1/4" - 2" 975XL2 and 975XL
RK34-975XLA	Complete Repair Kit w/seats, 1-1/4" - 2" 975XL2 and 975XL
RK114-CK-COVER	Check Cover Repair Kit 1-1/4" - 2" 975XL2 and 975XL
RK114-RV-COVER	Relief Valve COVER Repair Kit 1-1/4" - 2" 975XL2 and 975XL
RK114-975XLRVR	Relief Valve Rubber Repair Kit 1-1/4" - 2" 975XL2 and 975XL

MODEL 975XL2 and 975XL

Reduced Pressure Principle – Backflow Preventers 3/4" to 2"

Parts Drawing



MODEL 975XL3



Reduced Pressure Principle – Backflow Preventers 1/2" to 2"

Repair Kit Components		1/2" - 3/4"		1/2" - 1"		1"		1-1/4" - 1-1/2"				2"			
Item #	Item Description	RK34-975XL3	RK34-975XL3R	RK34-975XL3RV	RK34-975XL3RVC	RK1-975XL3	RK1-975XL3R	RK114-975XL3	RK114-975XL3RV	RK114-975XL3RVC	RK114-975XL3R	RK2-975XL3	RK2-975XL3RV	RK2-975XL3RVC	RK2-975XL3R
1	Relief Valve Seat	●		●		●		●	●			●	●		
2	Relief Valve Diaphragm	●	●	●		●	●	●	●		●	●	●		●
3	Relief Valve Lower Plunger	●		●		●		●	●			●	●		
4	Relief Valve Plunger-Upper	●		●		●		●	●			●	●		
5	Relief Valve Seal	●	●	●		●	●	●	●		●	●	●		●
6	Relief Valve Cover				●					●				●	
7	Relief Valve Cover Screw				●(x4)					●(x6)				●(x6)	
8	Relief Valve Cup Seal	●	●	●	●	●	●	●	●	●	●	●	●	●	●
9	Relief Valve Cover O-Ring	●	●	●	●	●	●	●	●	●	●	●	●	●	●
10	Relief Valve Seat O-Ring	●	●	●		●	●	●	●		●	●	●		●
11	Relief Valve Spring	●		●		●		●	●			●	●		
12	Check Assembly	●				●		●				●			
13	Cover O-Ring	●	●			●	●	●			●	●			●
14	Check Seal		●(x2)				●(x2)				●(x2)				●(x2)
15	#1 Seat O-Ring		●				●				●				●
16	#2 Seat O-Ring		●				●				●				●
17	Relief Valve Screw	●				●		●				●			

Whole Goods (Available for individual sale)

Item #	Item Description	1/2"	3/4"	1"	1-1/4"	1-1/2"	2"
18	Ball Valve, Tapped	12-850TXL	34-850TXL	1-850TXL	114-850TXL	112-850TXL	2-850TXL
18	Union Ball Valve, Tapped	N/A	34-850TUXL	1-850TUXL	114-850TUXL	112-850TUXL	2-850TUXL
19	Ball Valve	12-850XL	34-850XL	1-850XL	114-850XL	112-850XL	2-850XL
19	Union Ball Valve	N/A	34-850UXL	1-850UXL	114-850UXL	112-850UXL	2-850UXL
20	Test Cock	18-860B	18-860B	18-860B	14-860	14-860	14-860

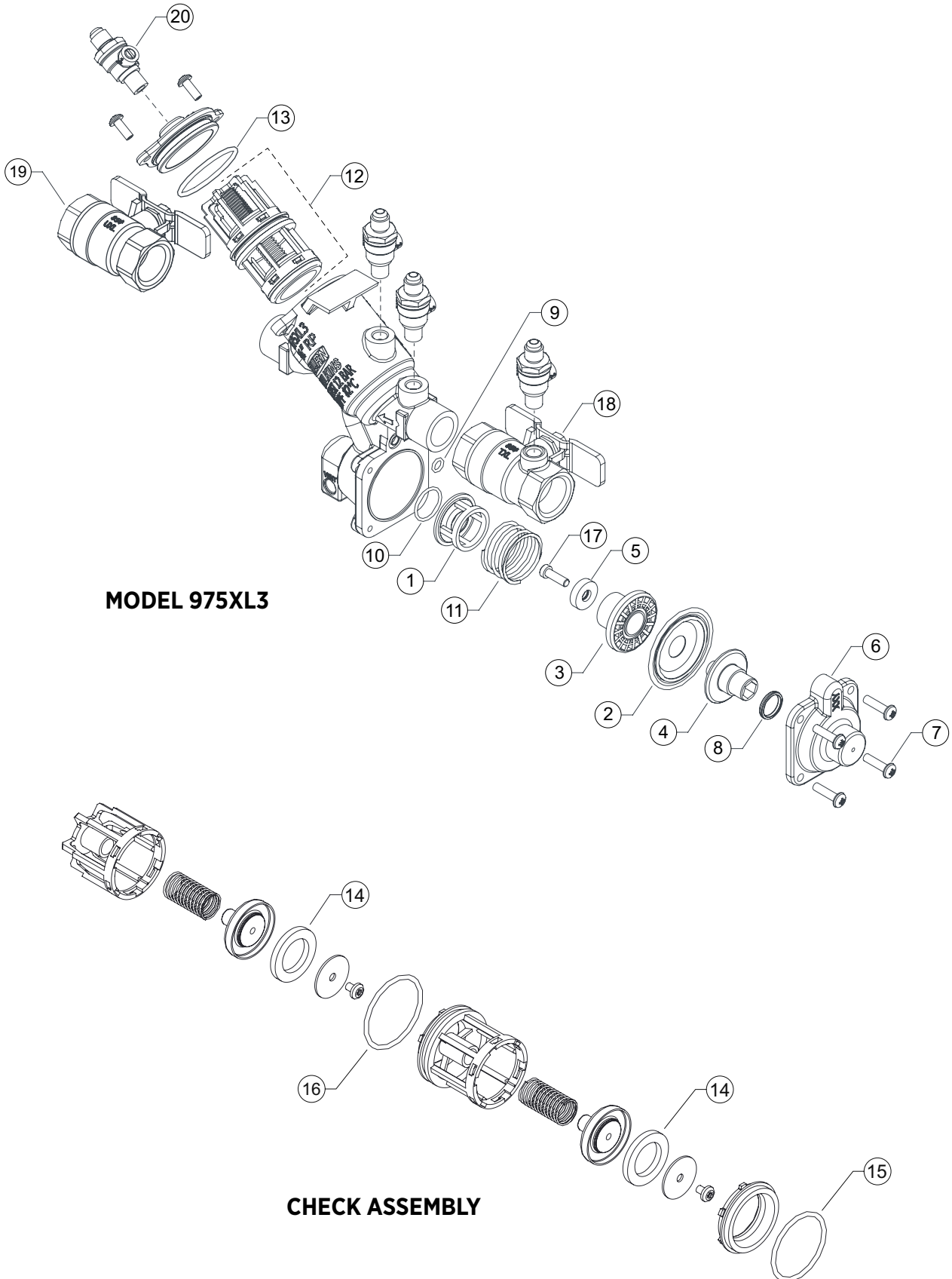
Item No.	Repair Kit Description
1/2" - 1"	
RK34-975XL3	Standard Repair Kit, 1/2" - 3/4" 975XL3 Complete Internal, Checks and Relief
RK34-975XL3RV	Repair Kit, 1/2" - 1" 975XL3, Relief Valve
RK34-975XL3RVC	Repair Kit, 1/2" - 1" 975XL3 Relief Valve Cover
RK34-975XL3R	Repair Kit 1/2" - 3/4" 975XL3 Seal Rings and O-Rings
RK1-975XL3	Standard Repair Kit, 1" 975XL3 Complete Internal, Checks and Relief
RK1-975XL3R	Repair Kit, 1" 975XL3 Seal Rings and O-Rings

Item No.	Repair Kit Description
1-1/4" - 2"	
RK114-975XL3	Standard Repair Kit, 1-1/4" - 1-1/2" 975XL3, Complete Internal, Checks and Relief
RK114-975XL3RV	Repair Kit, 1-1/4" - 1-1/2" 975XL3, Relief Valve
RK114-975XL3RVC	Repair Kit, 1-1/4" - 1-1/2" 975XL3, Relief Valve Cover
RK114-975XL3R	Rubber Repair Kit 1-1/4" - 1-1/2" 975XL3, Seal Rings and O-Rings
RK2-975XL3	Standard Repair Kit, 2" 975XL3, Complete Internal, Checks and Relief
RK2-975XL3RV	Repair Kit, 2" 975XL3, Relief Valve
RK2-975XL3RVC	Repair Kit, 2" 975XL3, Relief Valve Cover
RK2-975XL3R	Rubber Repair Kit, 2" 975XL3 Seal Rings and O-Rings

MODEL 975XL3

Reduced Pressure Principle – Backflow Preventers – 1/2" to 2"

Parts Drawing



MODEL 375, 475 and 475V



Reduced Pressure Principle – Backflow Preventers 2-1/2" and 3"

Repair Kit Components		2-1/2"		2-1/2" and 3"							3"
Item #	Item Description	212-BK	RK212-350	RK212-375CK1	RK212-350CK2	RK212-RV375-HOSE	RK212-RV-ASSY	RK212-LBF-VLV-COVER	BRK212-300-SEAT1-RTNR	BRK212-300-SEAT2-RTNR	3-BK
1	Bolt, Flange	•(x8)									•(x8)
2	Nut, Flange	•(x8)									•(x8)
3	Gasket, Flange	•(x2)									•(x2)
4	O-Ring, Relief Valve						•				
5	Relief Valve Assembly						•				
6	Bolt, Relief Valve						•(x2)				
7	Seat Retainer #1			•					•(x6)		
8	Seat Retainer #2				•					•(x6)	
9	O-Ring, Seat		•(x2)	•	•						
10	Nut, Poppet Retainer			•	•						
11	Washer, #1 Check			•							
12	Washer, #2 Check				•						
13	O-Ring, Stem		•(x2)	•	•						
14	Poppet Retainer			•	•						
15	Seal Ring		•(x2)	•	•						
16	Seat Assembly, #1 Poppet			•							
17	Seat Assembly, #2 Poppet				•						
18	Sensing Tube Fitting, Relief Valve Cover					•	•				
19	Sensing Tube Fitting, Body					•					
20	Sensing Tube					•					

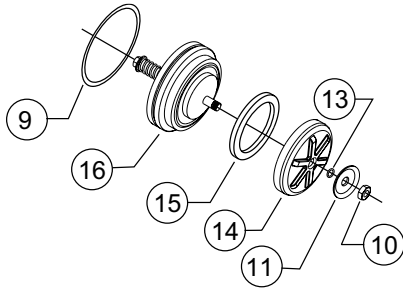
Whole Goods (Available for individual sale)			
Item #	Item Description	2-1/2"	3"
21	Gate Valve, NRS (FxF)	212-48	3-48
	Gate Valve, NRS (GxF)	212-48GXF	3-48GXF
	Gate Valve, OS&Y (FxF)	212-480SY	3-480SY
	Gate Valve, OS&Y (GXF)	212-480SYGXF	3-480SYGXF
	Butterfly Valve (GXF)	212-49GXF	3-49GXF
22	Ball Valve, FxF		12-850XL
23	Ball Valve, MxF		12-850MXL
24	Cover Retainer Assembly		6-23
25	Bulkhead Fitting		BHFICXL-100
26	Sensing Bulkhead Fitting		BHFIBXL-100
27	Cover		RK212-LBF-VLV-COVER

Item No.	Repair Kit Description
2-1/2"	
212-BK	Flanged Kit, 2 1/2"
2 1/2" and 3"	
RK212-350	Rubber Repair Kit, 2-1/2" and 3" 375, 475, and 475V
RK212-375CK1	First Check Assembly Repair Kit, 2-1/2" and 3" 375, 475, and 475V
RK212-350CK2	Second Check Assembly Repair Kit, 2-1/2" and 3" 375, 475, and 475V
RK212-RV375-HOSE	Relief Valve Hose Repair Kit, 2-1/2" and 3" 375, 475, and 475V
RK212-RV-ASSY	Complete Relief Valve Repair Kit, 2-1/2" and 3" 375, 475, and 475V
RK212-LBF-VLV-COVER	Cover Repair Kit, 2-1/2" and 3" 375, 475, and 475V
BRK212-300-SEAT1-RTNR	#1 Check Seat Retainer Bulk Kit, 2-1/2" and 3" 375, 475, and 475V
BRK212-300-SEAT2-RTNR	#2 Check Seat Retainer Bulk Kit, 2-1/2" and 3" 375, 475, and 475V
3"	
3-BK	Flanged Kit, 3"

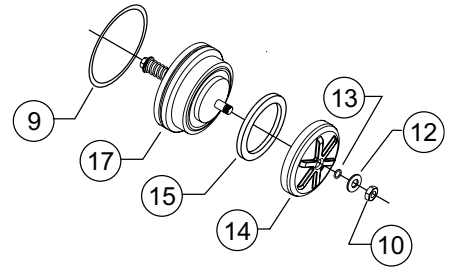
MODEL 375, 475 and 475V

Reduced Pressure Principle – Backflow Preventers 2-1/2" and 3"

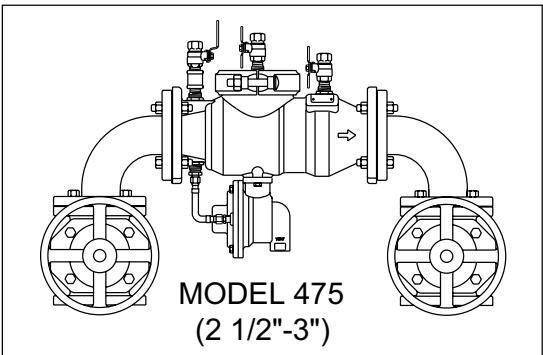
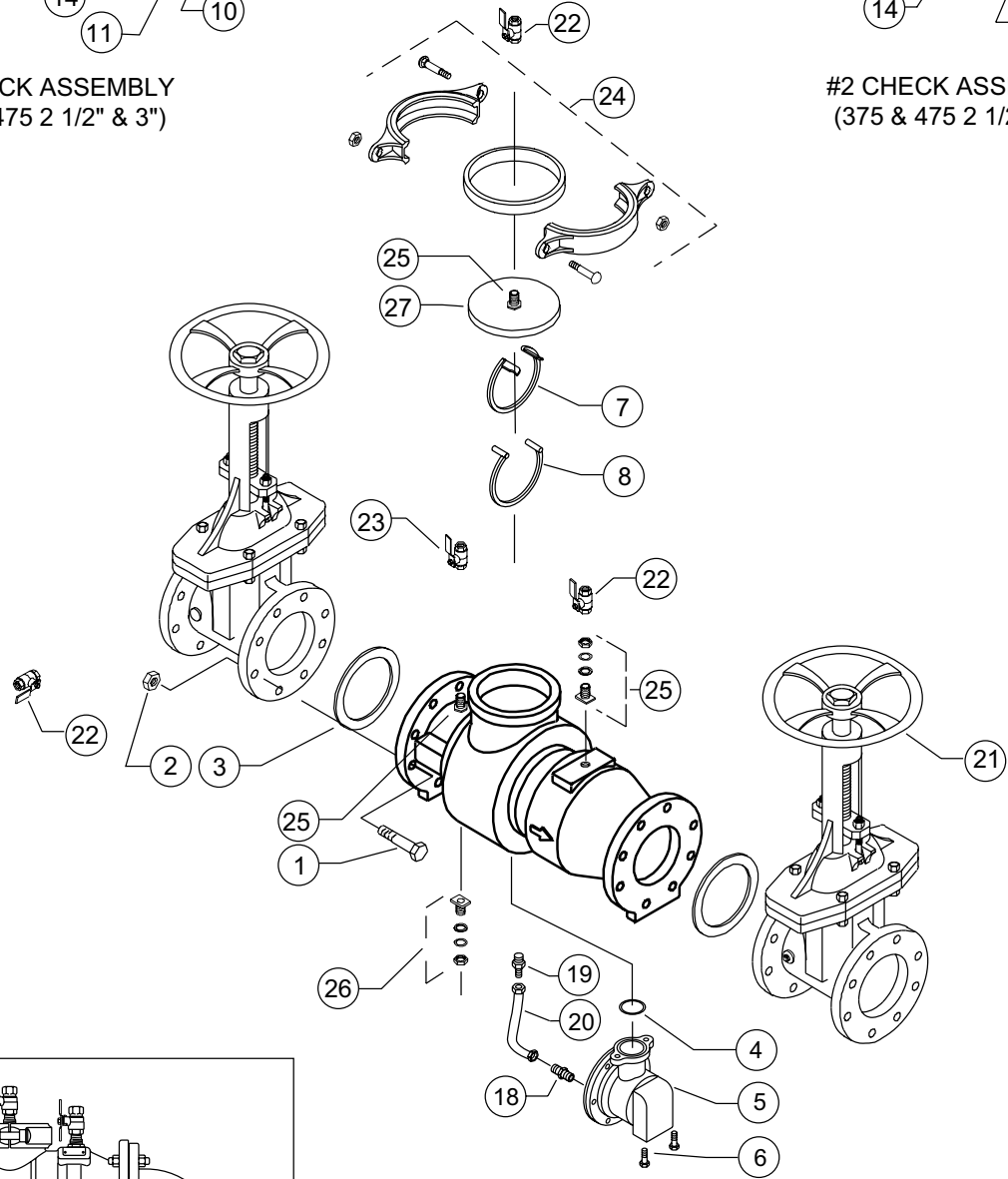
Parts Drawing



#1 CHECK ASSEMBLY
(375 & 475 2 1/2" & 3")



#2 CHECK ASSEMBLY
(375 & 475 2 1/2" & 3")



MODEL 375
(2 1/2"-3")

MODEL 375A and 375



Reduced Pressure Principle – Backflow Preventers 375A (2-1/2" to 10") and 375 (4" to 10")

Repair Kit Components		2-1/2" - 4"						2-1/2 - 6"	4"	6"						8"	8" and 10"				10"		
Size Range	RK212-RV375A-HOSE	RK4-350	RK4-375CK1	RK4-350CK2	BRK4-LBF-SEAT1RTNR	BRK4-LBF-SEAT2RTNR	RK212-RV-ASSY	4-BK	6-BK	RK6-350	RK6-375CK1	RK6-350CK2	BRK6-LBF-SEAT1RTNR	BRK6-LBF-SEAT2RTNR	RK6-RV375-HOSE	8-BK	RK8-350	RK8-375CK1	RK8-350CK2	RK8-RV375-HOSE	RK8-RV-ASSY	10-BK	
2-1/2"	•	•	•	•	•	•	•																
3"	•	•	•	•	•	•	•	•															
4"	•	•	•	•	•	•	•																
6"							•		•	•	•	•	•	•	•								
8"																•	•	•	•	•	•	•	•
10"																	•	•	•	•	•	•	•

Item #	Item Description																							
1	Bolt, Flange																							•(x24)
2	Nut, Flange																							•(x24)
3	Gasket, Flange																							•(x2)
4	O-Ring, Relief Valve						•																	•
5	Relief Valve Assembly						•																	•
6	Bolt, Relief Valve						•(x2)																	•(x2)
7	Seat Retainer #1			•		•(x6)					•		•(x6)						•(x4)	•(x7)				
8	Seat Retainer #2				•(x2)		•(x12)						•(x12)											
9	O-Ring, Seat	•(x2)		•						•(x2)	•	•						•(x2)						
10	Bolt, Poppet Retainer			•(x4)	•(x4)						•(x4)	•(x4)						•(x6)	•(x6)					
11	Handle, #1 Poppet Assembly			•							•													
12	Washer, Poppet Bolt			•(x4)	•(x4)						•(x4)	•(x4)							•(x6)	•(x6)				
13	O-Ring, Poppet Bolt	•(x8)	•(x4)	•(x4)						•(x8)	•(x4)	•(x4)						•(x12)	•(x6)	•(x6)				
14	Poppet Retainer			•	•						•	•								•	•			
15	Seal Ring	•(x2)	•	•						•(x2)	•	•						•(x2)	•	•				
16	Seat Assembly, #1 Poppet			•							•									•				
17	Seat Assembly, #2 Poppet				•							•								•				
18	Sensing Tube Fitting	•					•									•							•	•
19	Pitot Tube Assembly	•														•							•	•
20	Sensing Tube	•														•							•	•
21	Washer, Seat Retainer																		•(x4)	•(x7)				

Whole Goods (Available for individual sale)							
Item #	Item Description	2-1/2"	3"	4"	6"	8"	10"
22	Gate Valve, NRS (FxF)	212-48	3-48	4-48	6-48	8-48	10-48
	Gate Valve, NRS (GxG)	212-48G	3-48G	4-48G	6-48G	8-48G	10-48G
	Gate Valve, NRS (GxF)	212-48GXF	3-48GXF	4-48GXF	6-48GXF	8-48GXF	10-48GXF
	Gate Valve, OS&Y (FxF)	212-48OSY	3-48OSYG	4-48OSY	6-48OSY	8-48OSY	10-48OSY
	Gate Valve, OS&Y (GxG)	212-48OSYG	3-48OSYG	4-48OSYG	6-48OSYG	8-48OSYG	10-48OSYG
	Gate Valve, OS&Y (GxF)	212-48OSYGXF	3-48OSYGXF	4-48OSYGXF	6-48OSYGXF	8-48OSYGXF	10-48OSYGXF
	Butterfly Valve (GxG)	212-49G	3-49G	4-49G	6-49G	8-49G	10-49G
	Butterfly Valve (GxF)	212-49GXF	3-49GXF	4-49GXF	6-49GXF	8-49GXF	10-49GXF
23	Ball Valve, FxF		12-850XL			34-850XL	
24	Ball Valve, MxF		12-850MXL			34-850MXL	
25	Cover Retainer Assembly		6-23		8-23		12-23
26	Grooved Coupling	4X212-23	4X3-23	4-23	6-23	8-23	10-23
27	Bulkhead Fitting		BHFICXL-100			BHF2BXL-100	
28	Sensing Line Bulkhead Fitting		BHFIBXL-100			BHF2CXL-100	
29	Cover		RK4-LBF-VALVE-COVER		RK6-LBF-VALVE-COVER		RK8-LBF-VALVE-COVER

Item No.	Repair Kit Description
2-1/2" - 4"	
RK212-RV375A-HOSE	Braided Hose Kit, 2-1/2" - 4" 375A RV
RK4-350	Standard Repair Kit, 2-1/2" - 4" 375A
RK4-375CK1	#1 Check Assembly Repair Kit, 2-1/2" - 4" 375A
RK4-350CK2	#2 Check Assembly Repair Kit, 2-1/2" - 4" 375A
BRK4-LBF-SEAT1RTNR	Bulk #1 Seat Retainer Repair Kit, 2-1/2" - 4" 375A
BRK4-LBF-SEAT2RTNR	Bulk #2 Seat Retainer Repair Kit, 2-1/2" - 4" 375A
2-1/2" - 6"	
RK212-RV-ASSY	Relief Valve Assembly Repair Kit, 2-1/2" - 6" 375A

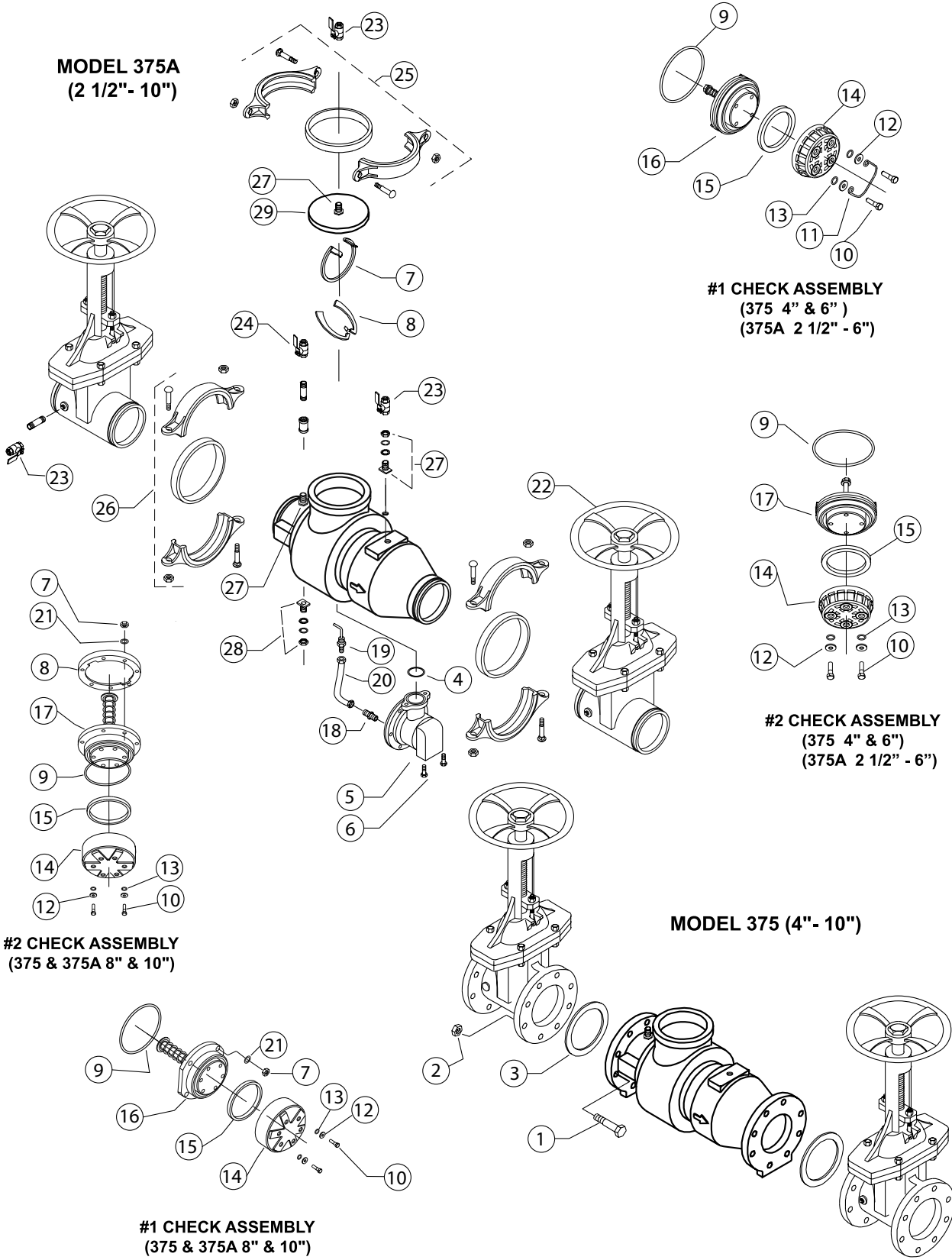
Item No.	Repair Kit Description
4"	
4-BK	Flanged Kit, 4"
6"	
6-BK	Flanged Kit, 6"
RK6-350	Standard Repair Kit, 6" 375A
RK6-375CK1	#1 Check Assembly Repair Kit, 6" 375A
RK6-350CK2	#2 Check Assembly Repair Kit, 6" 375A
BRK6-LBF-SEAT1RTNR	Bulk #1 Seat Retainer Repair Kit, 6" 375A
BRK6-LBF-SEAT2RTNR	Bulk #2 Seat Retainer Repair Kit, 6" 375A
RK6-RV375-HOSE	Braided Hose Kit, 6" 375A RV

Item No.	Repair Kit Description
8"	
8-BK	Flanged Kit, 8"
8 - 10"	
RK8-350	Standard Repair Kit, 8" and 10" 375A
RK8-375CK1	#1 Check Assembly Repair Kit, 8" and 10" 375A
RK8-350CK2	#2 Check Assembly Repair Kit, 8" and 10" 375A
RK8-RV375-HOSE	Braided Hose Kit, 8" and 10" 375A Relief Valve
RK8-RV-ASSY	Relief Valve Assembly Repair Kit, 8" and 10" 375A
10"	
10-BK	Flanged Kit, 10"

MODEL 375A and 375

Reduced Pressure Principle – Backflow Preventers 375A (2-1/2" to 10") and 375 (4" to 10")

Parts Drawing



MODEL 375A
(2 1/2" - 10")

#1 CHECK ASSEMBLY
(375 4" & 6")
(375A 2 1/2" - 6")

#2 CHECK ASSEMBLY
(375 4" & 6")
(375A 2 1/2" - 6")

#2 CHECK ASSEMBLY
(375 & 375A 8" & 10")

MODEL 375 (4" - 10")

#1 CHECK ASSEMBLY
(375 & 375A 8" & 10")

MODEL 375AST



Stainless Steel Reduced Pressure Principle – Backflow Preventers 2-1/2" to 10"

Repair Kit Components		2-1/2"	3" and 4"	2-1/2" - 6"						6"						8" and 10"				10"		
Size Range		RK212-350ASTCK2	RK4-350ASTCK2	RK4-350	RK4-375ASTCK1	BRK4-SSLBF-SEATIRTNR	BRK4-SSLBF-SEAT2RTNR	RK212-RV375AST-HOSE	RK212-RV-ASSY	RK6-350	RK6-375ASTCK1	RK6-350ASTCK2	BRK6-SSLBF-SEATIRTNR	RK6-RV375AST-HOSE	BRK6-SSLBF-SEAT2RTNR	RK8-RV375AST-HOSE	RK8-350	RK8-375ASTCK1	RK8-350ASTCK2	RK8-RV-ASSY	RK10-350ASTCK2	
2-1/2"		•		•	•	•	•	•														
3"			•	•	•	•	•	•														
4"			•	•	•	•	•	•														
6"									•	•	•	•	•	•								
8"															•	•	•	•	•	•	•	
10"															•	•	•	•	•	•	•	
Item #	Item Description																					
1	O-Ring, Relief Valve							•													•	
2	Relief Valve Assembly							•													•	
3	Bolt, Relief Valve							•(x2)													•(x2)	
4	Seat Retainer #1				•	•(x6)				•	•	•(x6)										
5	Seat Retainer #2		•(x2)				•(x6)							•(x6)								
6	O-Ring, Seat	•	•	•(x2)	•				•(x2)	•	•					•(x2)	•	•			•	
7	Bolt, Poppet Retainer	•(x4)	•(x4)		•(x4)					•(x4)	•(x4)							•(x6)	•(x6)		•(x6)	
8	Handle, #1 Poppet Assembly				•					•												
9	Washer	•(x4)	•(x4)		•(x4)					•(x4)	•(x4)							•(x6)	•(x6)		•(x6)	
10	O-Ring, Retainer	•(x4)	•(x4)	•(x8)	•(x4)				•(x8)	•(x4)	•(x4)					•(x12)	•(x6)	•(x6)			•(x6)	
11	Poppet Retainer	•	•		•					•	•							•	•		•	
12	Seal Ring	•	•	•(x2)	•				•(x2)	•	•					•(x2)	•	•			•	
13	Seat Assembly, #1 Poppet				•					•								•			•	
14	Seat Assembly, #2 Poppet	•	•								•								•		•	
15	Sensing Tube Fitting							•(x2)	•					•(x2)		•(x2)					•	
16	Sensing Tube							•						•		•						
17	Washer, Seat Retainer																	•(x4)	•(x7)		•(x7)	
18	Nut, Seat Retainer																	•(x4)	•(x7)		•(x7)	

Whole Goods (Available for individual sale)

Item #	Item Description	2-1/2"	3"	4"	6"	8"	10"
19	Gate Valve, NRS (GXG)	212-48G	3-48G	4-48G	6-48G	8-48G	10-48G
	Gate Valve, NRS (GXF)	212-48GXF	3-48GXF	4-48GXF	6-48GXF	8-48GXF	10-48GXF
	Gate Valve, OS&Y (GXG)	212-48OSYG	3-48OSYG	4-48OSYG	6-48OSYG	8-48OSYG	10-48OSYG
	Gate Valve, OS&Y (GXF)	212-48OSYGXF	3-48OSYGXF	4-48OSYGXF	6-48OSYGXF	8-48OSYGXF	10-48OSYGXF
	Butterfly Valve (GXG)	212-49G	3-49G	4-49G	6-49G	8-49G	10-49G
	Butterfly Valve (GXF)	212-49GXF	3-49GXF	4-49GXF	6-49GXF	8-49GXF	10-49GXF
20	Ball Valve, FxF		12-850XL			34-850XL	
21	Cover Ball Valve		12-850MXL			34-850XL	
22	Cover Retainer Assembly		6-23		8-23		12-23
23	Grooved Coupling	212-23	3-23	4-23		8-23	10-23
24	Cover		3509ST-3		3510ST-3		3511ST-3

Item No.	Repair Kit Description
RK212-350ASTCK2	#2 Check Assembly Repair Kit, 2-1/2" 375AST
	3" and 4"
RK4-350ASTCK2	#2 Check Assembly Repair Kit, 3" and 4" 375AST
	2-1/2" - 6"
RK4-350	Standard Repair Kit, 2-1/2" - 4" 375AST
RK4-375ASTCK1	#1 Check Assembly Repair Kit, 2-1/2" - 4" 375AST
BRK4-SSLBF-SEATIRTNR	Bulk #1 Seat Retainer Repair Kit, 2-1/2" - 4" 375AST
BRK4-SSLBF-SEAT2RTNR	Bulk #2 Seat Retainer Repair Kit, 2-1/2" - 4" 375AST
RK212-RV375AST-HOSE	Braided Hose Kit, 2-1/2" - 6" 375AST RV
RK212-RV-ASSY	Relief Valve Assembly Repair Kit, 2-1/2" - 6" 375AST

Item No.	Repair Kit Description
	6"
RK6-350	Standard Repair Kit, 6" 375AST
RK6-375ASTCK1	#1 Check Assembly Repair Kit, 6" 375AST
RK6-350ASTCK2	#2 Check Assembly Repair Kit, 6" 375AST
BRK6-SSLBF-SEATIRTNR	Bulk #1 Seat Retainer Repair Kit, 6" 375AST
RK6-RV375AST-HOSE	Braided Hose Kit, 6" 375AST RV
BRK6-SSLBF-SEAT2RTNR	Bulk #2 Seat Retainer Repair Kit, 6" 375AST
	8" and 10"
RK8-RV375AST-HOSE	Braided Hose Kit, 8" and 10" 375AST RV
RK8-350	Standard Repair Kit, 8" and 10" 375AST
RK8-375ASTCK1	#1 Check Assembly Repair Kit, 8" and 10" 375AST
RK8-350ASTCK2	#2 Check Assembly Repair Kit, 8" and 10" 375AST
RK8-RV-ASSY	Relief Valve Assembly Repair Kit, 8" and 10" 375AST
	10"
RK10-350ASTCK2	#2 Check Assembly Repair Kit, 10" 375AST

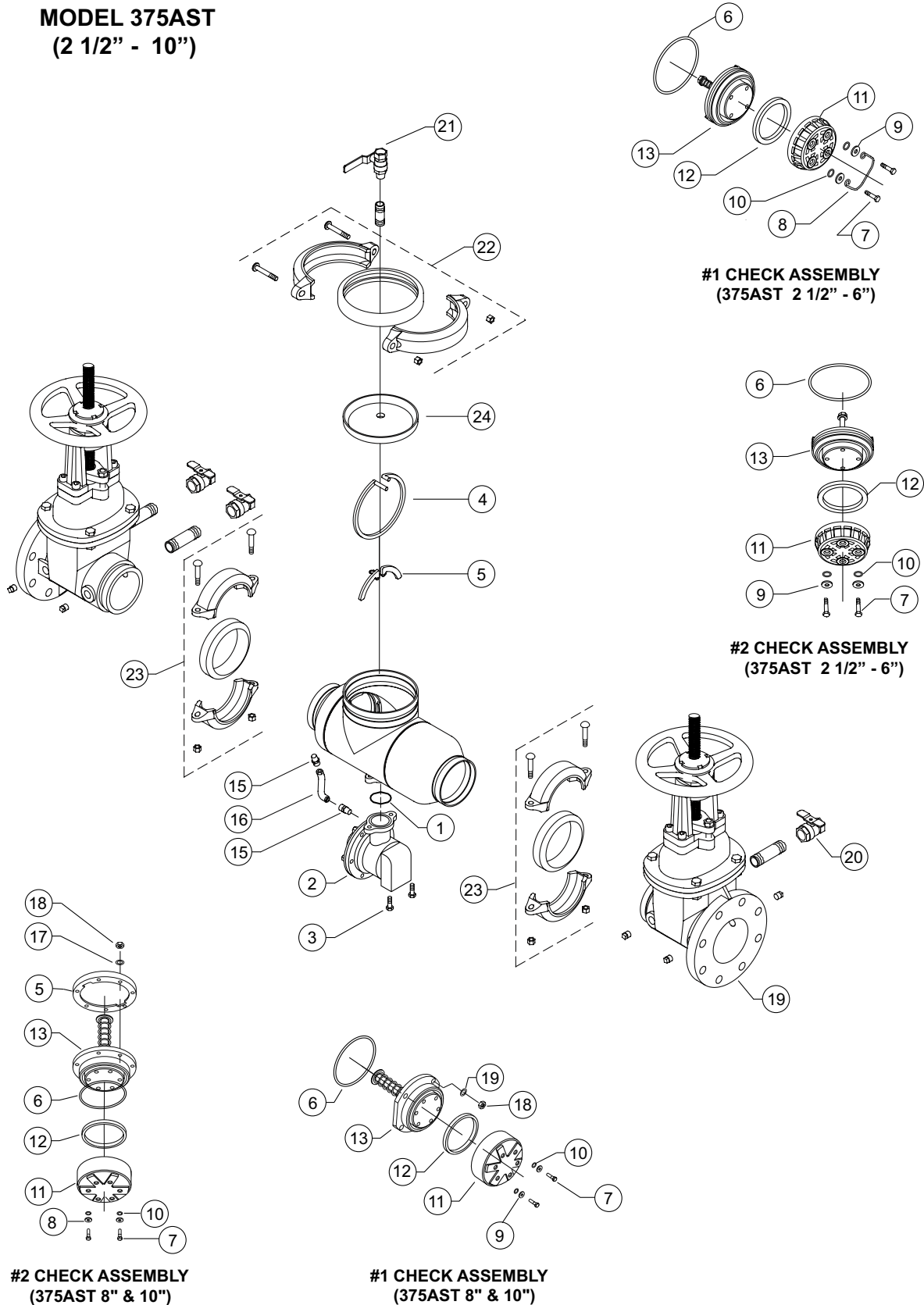
MODEL 375AST

Stainless Steel Reduced Pressure Principle – Backflow Preventers 2-1/2" to 10"

Parts Drawing



MODEL 375AST (2 1/2" - 10")



#1 CHECK ASSEMBLY
(375AST 2 1/2" - 6")

#2 CHECK ASSEMBLY
(375AST 2 1/2" - 6")

#2 CHECK ASSEMBLY
(375AST 8" & 10")

#1 CHECK ASSEMBLY
(375AST 8" & 10")

MODEL 475 and 475V



Reduced Pressure Principle – Backflow Preventers 4" to 10"

Repair Kit Components		4"					4" and 6"		6"				8" and 10"					4" - 10"	
Size Range		RK4-350	RK4-375CK1	RK4-350CK2	BRK4-LBF-SEAT1RTNR	BRK4-LBF-SEAT2RTNR	RK4-RV475-HOSE	RK212-RV475-ASSY	RK6-350	RK6-375CK1	RK6-350CK2	BRK6-LBF-SEAT1RTNR	BRK6-LBF-SEAT2RTNR	RK8-350	RK8-375CK1	RK8-350CK2	RK8-RV475-HOSE	RK8-RV475-ASSY	RK4-475-TUBE-ASSY
4"		•	•	•	•	•	•	•											•
6"							•	•	•	•	•	•							•
8"														•	•	•	•	•	•
10"														•	•	•	•	•	•
Item #	Item Description																		
1	Relief Valve Elbow						•											•	
2	O-Ring, Elbow/Relief Valve						•(x2)											•(x2)	
3	Bolt, Elbow/Relief Valve						•(x4)											•(x4)	
4	Seat Retainer Assembly #1		•		•(x6)				•		•(x6)			•(x4)	•(x7)				
5	Seat Retainer Assembly #2			•		•(x6)				•		•(x6)							
6	O-Ring, Seat Assembly	•(x2)	•	•				•(x2)	•	•			•(x2)	•	•				
7	Bolt, Poppet Retainer		•(x4)	•(x4)					•(x4)	•(x4)				•(x6)	•(x6)				
8	Handle, #1 Poppet Assembly		•						•										
9	Washer, Poppet Retainer		•(x4)	•(x4)					•(x4)	•(x4)				•(x6)	•(x6)				
10	O-Ring, Poppet Retainer	•(x8)	•(x4)	•(x4)				•(x8)	•(x4)	•(x4)			•(x12)	•(x6)	•(x6)				
11	Poppet Retainer		•	•					•	•				•	•				
12	Seal Ring	•(x2)	•	•				•(x2)	•	•			•(x2)	•	•				
13	Seat Assembly #1 Poppet		•						•					•					
14	Seat Assembly #2 Poppet			•						•					•				
15	Relief Valve Assembly						•											•	
16	Pitot Tube Assembly																		•
17	Sensing Tube						•										•		
18	Elbow						•										•		
19	Nipple						•										•		
20	Washer, Seat Retainer													•(x4)	•(x7)				

Whole Goods (Available for individual sale)

Item #	Item Description	4"	6"	8"	10"
21	Gate Valve, NRS (GXG)	4-48G	6-48G	8-48G	10-48G
	Gate Valve, NRS (GXF)	4-48GXF	6-48GXF	8-48GXF	10-48GXF
	Gate Valve, OS&Y (GandG)	4-48OSYG	6-48OSYG	8-48OSYG	10-48OSYG
	Gate Valve, OS&Y (GXF)	4-48OSYGXF	6-48OSYGXF	8-48OSYGXF	10-48OSYGXF
	Butterfly Valve (GxG)	4-49G	6-49G	8-49G	10-49G
	Butterfly Valve (GXF)	4-49GXF	6-49GXF	8-49GXF	10-49GXF
22	Ball Valve, FxF	12-850XL		34-850XL	
23	Cover Retainer Assembly	6-23	8-23	12-23	
24	Bulkhead Fitting Assembly	BHFICXL-100		BHF2BXL-100	
25	Sensing Bulkhead Fitting		BHFIBXL-100		BHF2CXL-100
26	Grooved Coupling	4-23	6-23	8-23	10-23
27	Cover	RK4-LBF-VALVE-COVER	RK6-LBF-VALVE-COVER		RK8-LBF-VALVE-COVER

Item No.	Repair Kit Description
4"	
RK4-350	Standard Repair Kit, 4" 475 and 475V
RK4-375CK1	#1 Check Assembly Repair Kit, 4" 475 and 475V
RK4-350CK2	#2 Check Assembly Repair Kit, 4" 475 and 475V
BRK4-LBF-SEAT1RTNR	Bulk #1 Seat Retainer Repair Kit, 4" 475 and 475V
BRK4-LBF-SEAT2RTNR	Bulk #2 Seat Retainer Repair Kit, 4" 475 and 475V
4" and 6"	
RK4-RV475-HOSE	Braided Hose Repair Kit, 4" and 6" 475 and 475V
RK212-RV-ASSY	Relief Valve Assembly Repair Kit, 4" and 6" 475 and 475V

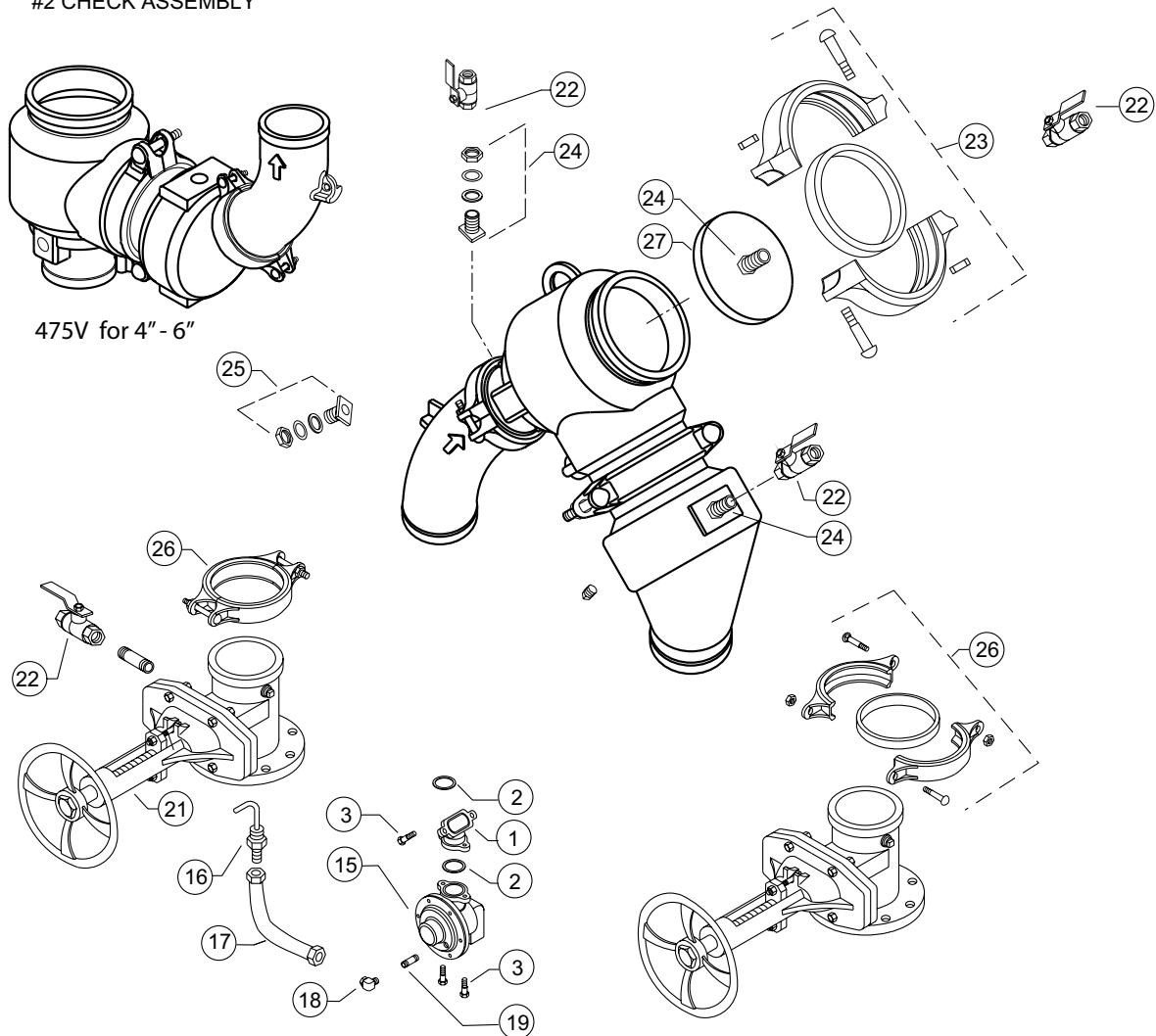
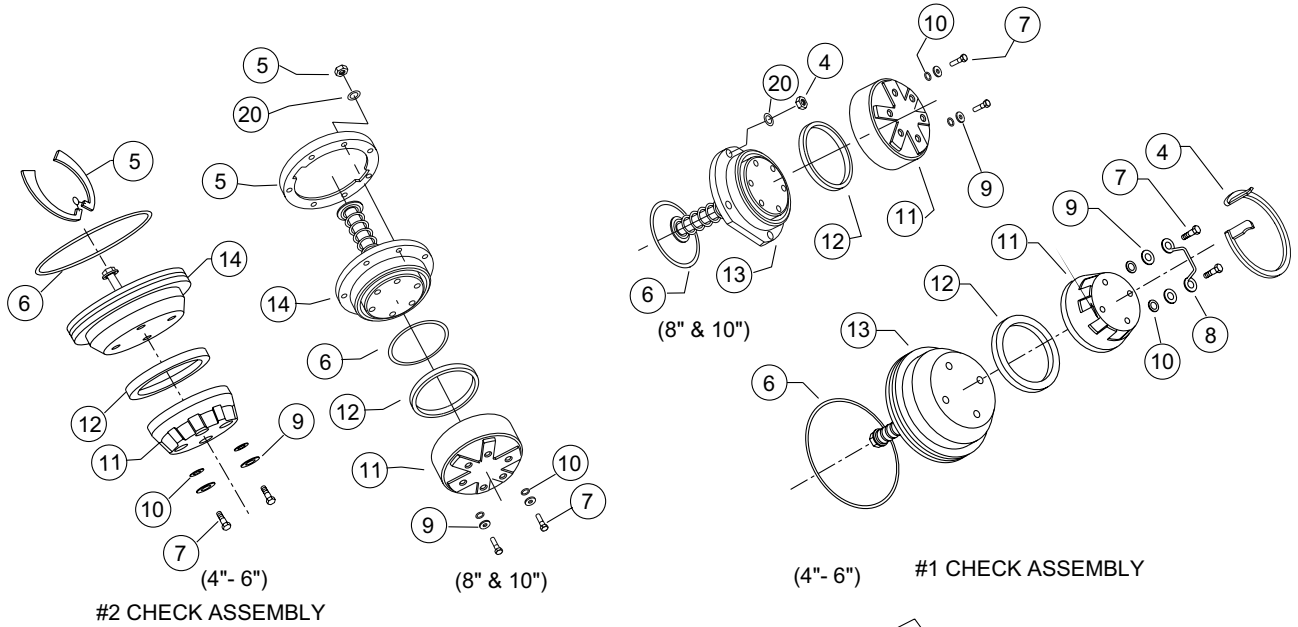
Item No.	Repair Kit Description
6"	
RK6-350	Standard Repair Kit, 6" 475 and 475V
RK6-375CK1	#1 Check Assembly Repair Kit, 6" 475 and 475V
RK6-350CK2	#2 Check Assembly Repair Kit, 6" 475 and 475V
BRK6-LBF-SEAT1RTNR	Bulk #1 Seat Retainer Repair Kit, 6" 475 and 475V
BRK6-LBF-SEAT2RTNR	Bulk #2 Seat Retainer Repair Kit, 6" 475 and 475V

Item No.	Repair Kit Description
8" and 10"	
RK8-350	Standard Repair Kit, 8" and 10" 475 and 475V
RK8-375CK1	#1 Check Assembly Repair Kit, 8" and 10" 475 and 475V
RK8-350CK2	#2 Check Assembly Repair Kit, 8" and 10" 475 and 475V
RK8-RV475-HOSE	Braided Hose Repair Kit, 8" and 10" 475 and 475V
RK8-RV475-ASSY	Relief Valve Assembly Repair Kit, 8" and 10" 475 and 475V
4" - 10"	
RK4-475-TUBE-ASSY	Pitot Tube Assembly Repair Kit, 4" - 10" 475 and 475V

MODEL 475 and 475V

Reduced Pressure Principle – Backflow Preventers 4" to 10"

Parts Drawing



MODEL 475ST

Reduced Pressure Principle – Backflow Preventers 4" to 10"



Repair Kit Components		4"						4" and 6"	4" and 8"	6"						6" and 10"	8"			8" and 10"			10"		
Size Range		RK4-350	RK4-375ASTCK1	RK4-450STCK4	RK4-475ST-RVELBOW	RK4-475STR-RVELBOW	BRK4-SSLBF-SEATIRTNR	RK212-RV-ASSY	RK4-RV475ST-HOSE	RK6-350	RK6-375ASTCK1	RK6-450STCK4	RK6-475ST-RVELBOW	RK6-475STR-RVELBOW	BRK6-SSLBF-SEATIRTNR	RK6-RV475ST-HOSE	RK8-475ST-RVELBOW	RK8-475STR-RVELBOW	RK8-350	RK8-450STCK1	RK8-475STCK1	RK8-RV-ASSY	RK10-475ST-RVELBOW	RK10-475STR-RVELBOW	
4"		•	•	•	•	•	•	•																	
6"								•	•	•	•	•	•	•	•										
8"									•							•	•	•	•	•	•	•	•	•	
10"															•	•	•	•	•	•	•	•	•	•	
Item #	Item Description																								
1	O-Ring, Relief Valve				•	•		•					•	•			•	•					•	•	•
2	Relief Valve Elbow				•	•							•	•			•	•						•	•
3	O-Ring, Relief Valve Elbow				•	•							•	•			•	•						•	•
4	Relief Valve Assembly							•															•	•	
5	Bolt, Relief Valve							•(x2)															•(x2)	•(x2)	
6	Seat Retainer		•	•			•(x6)				•	•			•(x6)										
7	O-Ring, Seat	•(x2)	•	•					•(x2)	•	•							•(x2)	•	•					
8	Bolt, Poppet Retainer		•(x4)	•(x4)						•(x4)	•(x4)									•(x6)	•(x6)				
9	Handle, Poppet Assembly		•	•							•	•								•	•				
10	Washer		•(x4)	•(x4)						•(x4)	•(x4)									•(x6)	•(x6)				
11	O-Ring, Retainer	•(x8)	•(x4)	•(x4)					•(x8)	•(x4)	•(x4)							•(x12)	•(x6)	•(x6)					
12	Poppet Retainer		•	•							•	•											•	•	
13	Seal Ring	•(x2)	•	•					•(x2)	•	•							•(x2)	•	•					
14	Seat Assembly, #1 Poppet		•								•												•	•	
15	Seat Assembly, #2 Poppet			•							•									•					
16	Sensing Tube Fitting							•															•	•	
17	Sensing Tube				•	•			•			•	•			•	•	•					•	•	
18	Washer, Seat Retainer																		•(x4)	•(x4)					
19	Nut, Seat Retainer																		•(x4)	•(x4)					
20	Elbow															•									
21	Nipple															•									
22	Grooved Coupling, Body					•													•					•	
	Spool					•							•					•						•	

Whole Goods (Available for individual sale)

Item #	Item Description	4"	6"	8"	10"
23	Gate Valve, NRS (GXG)	4-48G	6-48G	8-48G	10-48G
	Gate Valve, NRS (GXF)	4-48GXF	6-48GXF	8-48GXF	10-48GXF
	Gate Valve, OS&Y (GXG)	4-48OSYG	6-48OSYG	8-48OSYG	10-48OSYG
	Gate Valve, OS&Y (GXF)	4-48OSYGXF	6-48OSYGXF	8-48OSYGXF	10-48OSYGXF
	Butterfly Valve (GXG)	4-49G	6-49G	8-49G	10-49G
	Butterfly Valve (GXF)	4-49GXF	6-49GXF	8-49GXF	10-49GXF
24	Grooved Coupling, Cover	6-23	8-23		
25	Ball Valve, Cover	12-850MXL		34-850MXL	
26	Ball Valve, FxF	12-850XL		34-850XL	
22	Grooved Coupling, Body	4-23	6-23	8-23	10-23
27	Cover	3509ST-3	3510ST-3		3511ST-3

Item No.	Repair Kit Description
RK4-350	Rubber Kit, 4"
RK4-375ASTCK1	#1 Check Assembly Kit, 4"
RK4-450STCK4	#2 Check Assembly Kit, 4"
RK4-475ST-RVELBOW	400STR to Standard Conversion Kit, 4"
RK4-475STR-RVELBOW	Standard to 400STR Conversion Kit, 4"
BRK4-SSLBF-SEATIRTNR	Bulk Seat Retainer Kit, 4"
4" and 6"	
RK212-RV-ASSY	Relief Assembly Kit, 4" and 6"
4" and 8"	
RK4-RV475ST-HOSE	Relief Valve Hose Kit, 4" and 8"

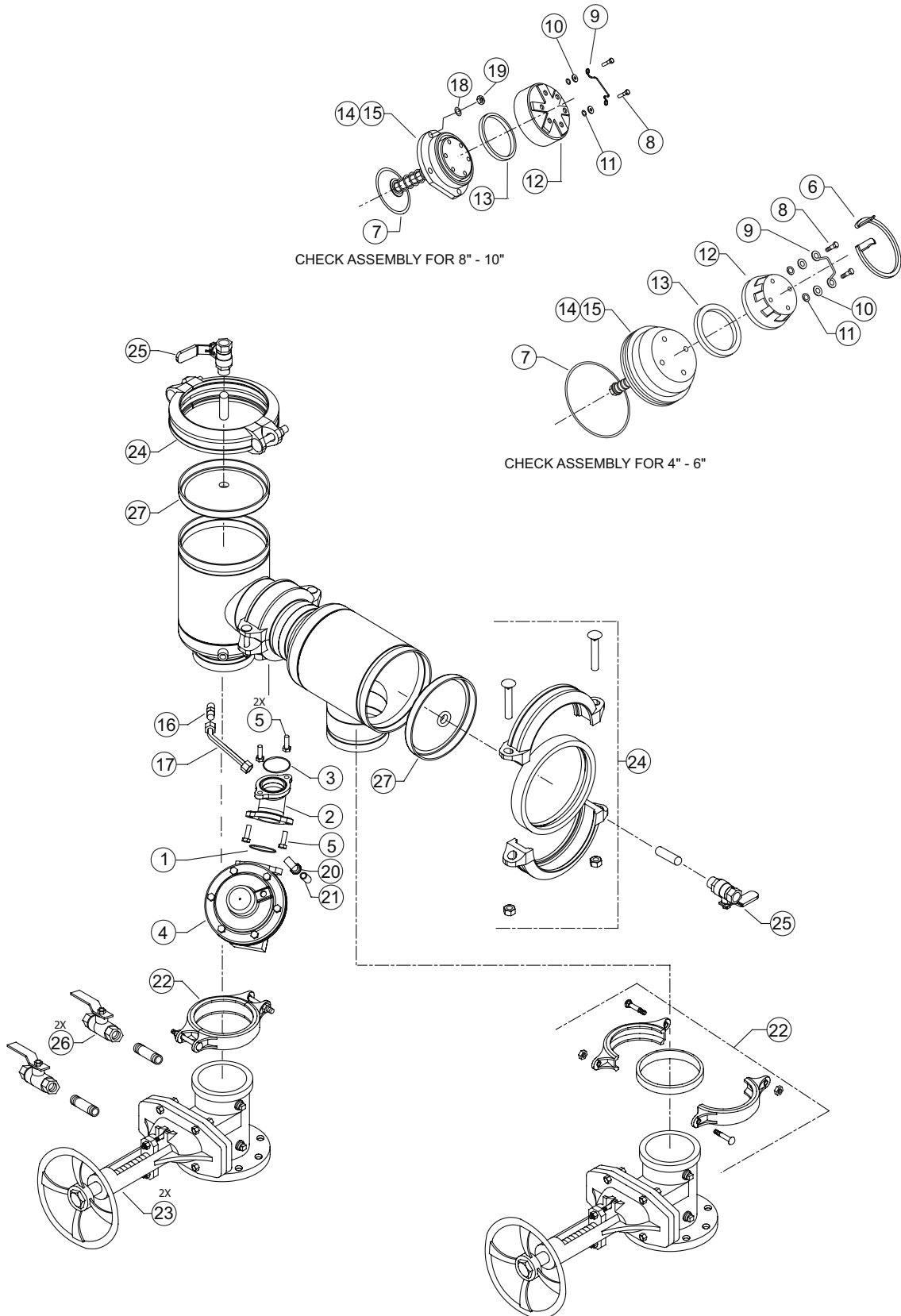
Item No.	Repair Kit Description
RK6-350	Rubber Kit, 6"
RK6-375ASTCK1	#1 Check Assembly Kit, 6"
RK6-450STCK4	#2 Check Assembly Kit, 6"
RK6-475ST-RVELBOW	400STR to Standard Conversion Kit, 6"
RK6-475STR-RVELBOW	Standard to 400STR Conversion Kit, 6"
BRK6-SSLBF-SEATIRTNR	Bulk Seat Retainer Kit, 6"
6" and 10"	
RK6-RV475ST-HOSE	Relief Valve Hose Kit, 6" and 10"
8"	
RK8-475ST-RVELBOW	400STR to Standard Conversion Kit, 8"
RK8-475STR-RVELBOW	Standard to 400STR Conversion Kit, 8"

Item No.	Repair Kit Description
8" and 10"	
RK8-350	Rubber Kit, 8" and 10"
RK8-475STCK1	#1 Check Assembly Kit, 8" and 10"
RK8-450STCK1	#2 Check Assembly Kit, 8" and 10"
RK8-RV-ASSY	Relief Assembly Kit, 8" and 10"
10"	
RK10-475ST-RVELBOW	400STR to Standard Conversion Kit, 10"
RK10-475STR-RVELBOW	Standard to 400STR Conversion Kit, 10"

MODEL 475ST

Reduced Pressure Principle – Backflow Preventers 4" to 10"

Parts Drawing



RELIEF VALVE - 2-1/2" to 10"

Models 375, 375A, 375AST, 475 and 475V



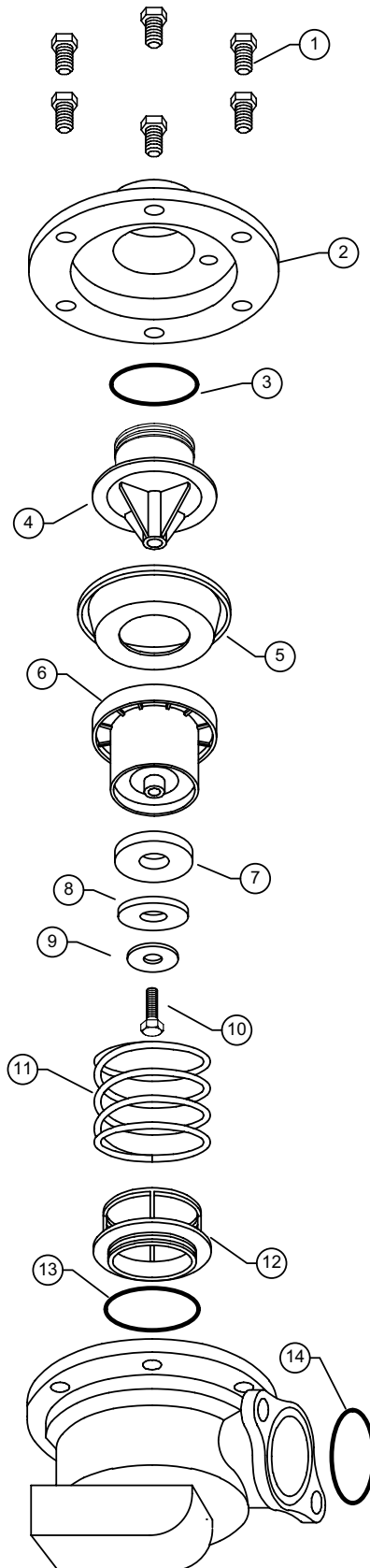
Repair Kit Components		2-1/2" - 6"					8" and 10"			
Item #	Item Description	RK212-375	RK212-375R	RK212-375RVCI	RK212-RV-COVER	RK212-RV-PLUNGER	RK8-375	RK8-375R	RK8-375RVCI	RK8-RV-COVER
1	Bolt, Cover				● (x6)					● (x6)
2	Cover				●					●
3	O-Ring, Upper Plunger	●	●	●			●	●	●	
4	Upper Plunger			●		●			●	
5	Diaphragm	●	●	●			●	●	●	
6	Lower Plunger			●		●			●	
7	Seal Ring	●	●	●			●	●	●	
8	Seal Retainer			●					●	
9	Washer			●					●	
10	Bolt			●					●	
11	Relief Valve Spring	●		●			●		●	
12	Relief Valve Seat			●					●	
13	O-Ring, Relief Valve Seat	●	●	●		●	●	●	●	
14	O-Ring, Relief Valve	●	●	●			●	●	●	
	Sensing Tube Fitting				●					●

Item No.	Repair Kit Description
2-1/2" - 6"	
RK212-375	Complete Relief Valve Repair Kit, 2-1/2" - 6"
RK212-375R	Relief Valve Rubber Repair Kit, 2-1/2" - 6"
RK212-375RVCI	Relief Valve Complete Internals Repair Kit, 2-1/2" - 6"
RK212-RV-COVER	Relief Valve Cover Repair Kit 2-1/2" - 6"
RK212-RV-PLUNGER	Relief Valve Plunger Repair Kit 2-1/2" - 6"
8" and 10"	
RK8-375	Complete Relief Valve Repair Kit, 8" and 10"
RK8-375R	Relief Valve Rubber Repair Kit, 8" and 10"
RK8-375RVCI	Relief Valve Complete Internals Repair Kit, 8" and 10"
RK8-RV-COVER	Relief Valve Cover Repair Kit 8" and 10"

RELIEF VALVE - 2-1/2" to 10"

Models 375, 375A, 375AST, 475 and 475V

Parts Drawing



MODEL 710

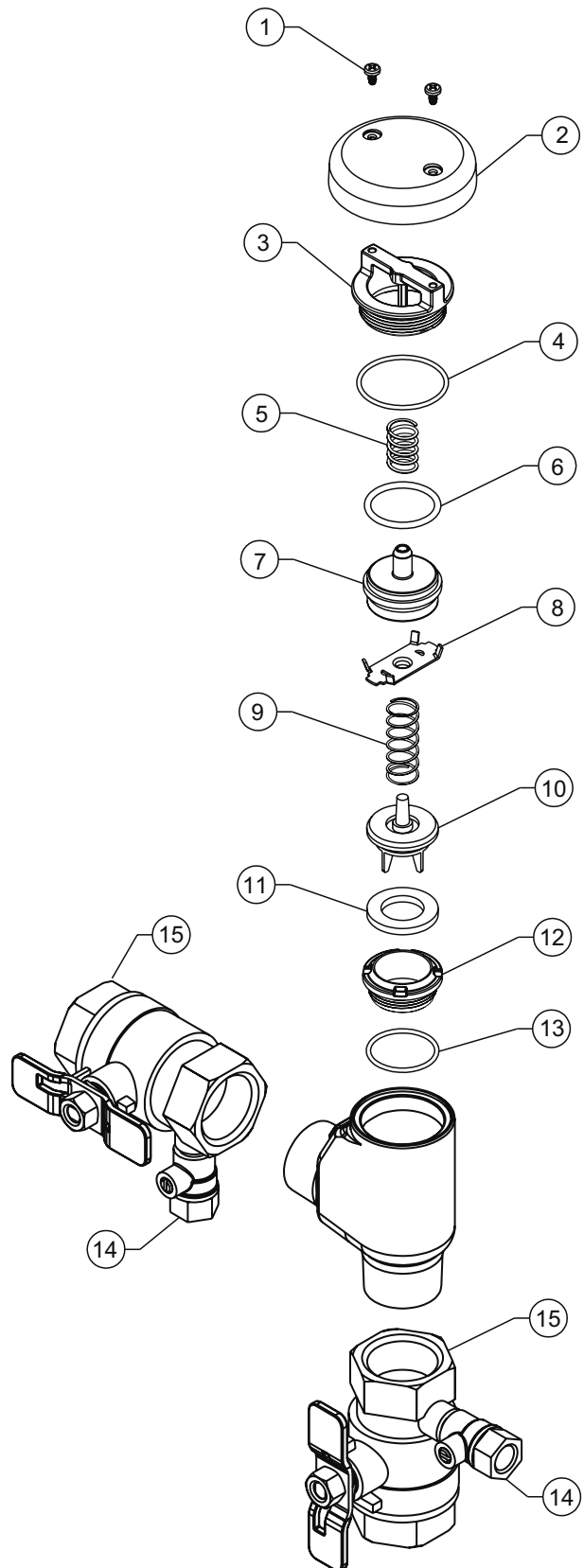
Pressure Vacuum Breakers - 3/4" to 1"



Repair Kit Components		3/4" and 1"	
Item #	Item Description	RK34-710	RK34-710B
1	Canopy Screw		● (x2)
2	Canopy		●
3	Bonnet		●
4	O-Ring, Bonnet	●	●
5	Float Spring	●	
6	O-Ring, Float	●	
7	Float	●	
8	Spring Retainer	●	
9	Check Spring	●	
10	Poppet	●	
11	Seal Ring	●	
12	Seat	●	
13	O-Ring, Seat	●	

Whole Goods (Available for individual sale)			
Item #	Item Description	3/4"	1"
14	Test Cock		18-860XL
15	Ball Valve, Tapped	34-850T	1-850T

Item No.	Repair Kit Description
	3/4" and 1"
RK34-710	Standard Repair Kit, 3/4" and 1" 710
RK34-710B	Bonnet Repair Kit, 3/4" and 1" 710

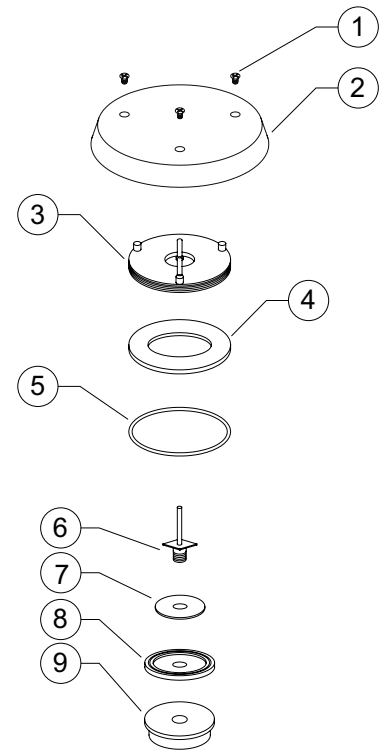


MODEL 720A

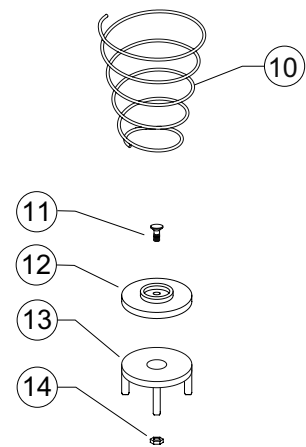
Pressure Vacuum Breakers - 1/2" to 1"



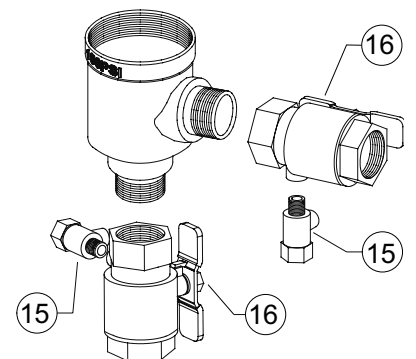
Repair Kit Components		1/2" - 1"		
Item #	Item Description	RK1-720A	RK1-720AB	RK1-720AP
1	Screw, Canopy		● (x3)	
2	Canopy		●	
3	Bonnet		●	
4	Washer, Bonnet	●	●	
5	O-Ring, Bonnet	●	●	●
6	Load Nut and Guide	●		●
7	Load Washer	●		●
8	Disc, Upper	●		●
9	Poppet	●		●
10	Spring	●		
11	Screw, Spider	●		
12	Disc, Lower	●		
13	Guide Spider	●		
14	Nut, Hex	●		



Whole Goods (Available for individual sale)				
Item #	Item Description	1/2"	3/4"	1"
15	Test Cock		18-860XL	
16	Ball Valve, Tapped	12-850T	34-850T	1-850T



Item No.	Repair Kit Description
	1/2" - 1"
RK1-720A	Complete Repair Kit, 1/2 - 1" 720A
RK1-720AB	Bonnet Repair Kit, 1/2 - 1" 720A
RK1-720AP	Poppet Repair Kit, 1/2 - 1" 720A

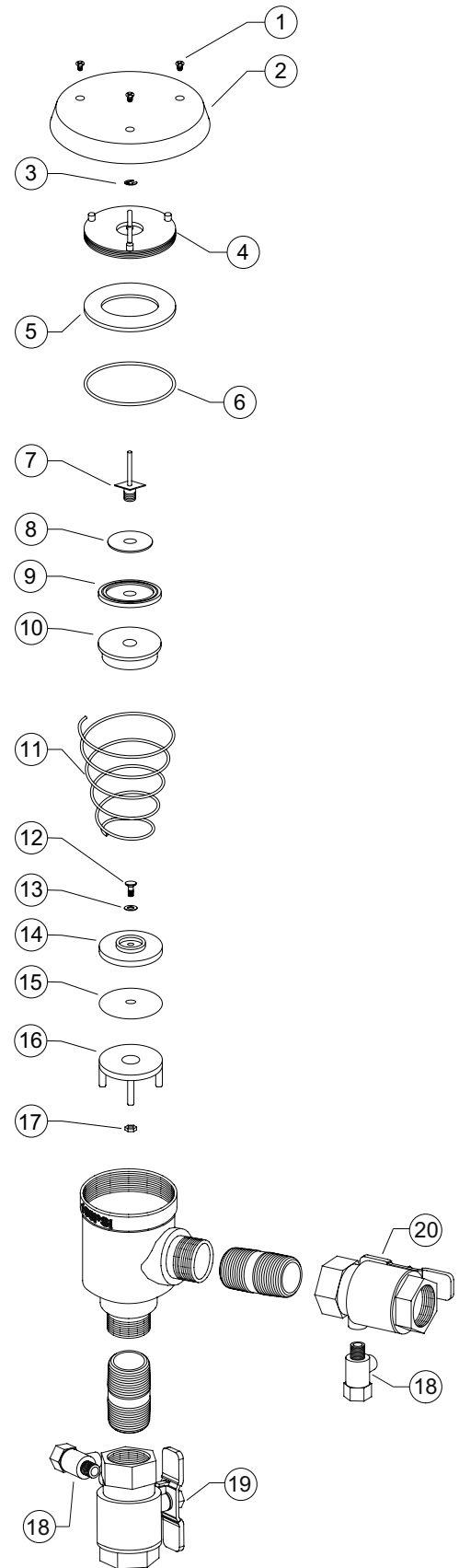


MODEL 720A

Pressure Vacuum Breakers – 1-1/4" to 2"



Repair Kit Components		1-1/4" - 2"	
Item #	Item Description	RK2-720A	RK114-720A-BONNET
1	Screw, Canopy		•
2	Canopy		•
3	Retainer Ring		•
4	Bonnet		•
5	Washer, Bonnet	•	
6	O-Ring, Bonnet	•	
7	Load Nut and Guide	•	
8	Load Washer	•	
9	Disc, Upper	•	
10	Poppet	•	
11	Spring	•	
12	Screw, Spider	•	
13	Washer, Lower Disc	•	
14	Disc, Lower	•	
15	Washer, Spider	•	
16	Guide Spider	•	
17	Nut, Hex	•	



Whole Goods (Available for individual sale)

Item #	Item Description	1-1/4"	1-1/2"	2"
18	Test Cock		14-860XL	
19	Ball Valve, Tapped	114-850T	112-850T	2-850T

Item No.	Repair Kit Description
	1-1/4" - 2"
RK2-720A	Complete Repair Kit, 1-1/4 - 2" 720A
RK114-720A-BONNET	Bonnet Repair Kit, 1-1/4 - 2" 720A

MODEL 420XL and 420

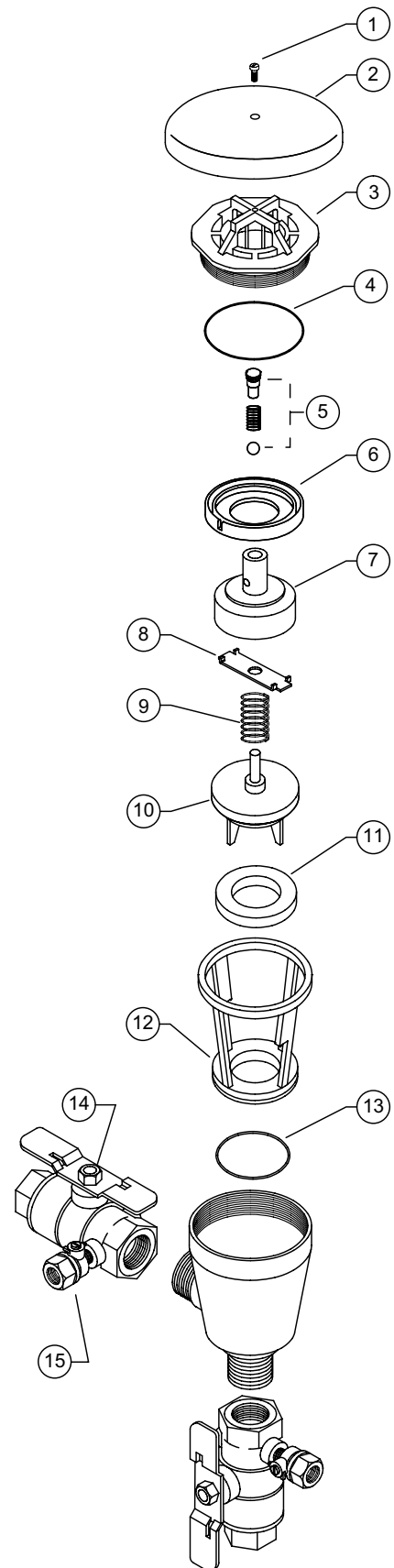
Pressure Vacuum Breakers – 1/2" and 3/4"



Repair Kit Components		1/2" and 3/4"		
Item #	Item Description	RK12-420	RK12-420R	RK12-420FK
1	Screw, Canopy	•		
2	Canopy	•		
3	Bonnet	•		•
4	O-Ring, Bonnet	•	•	•
5	Relief Valve Assembly	•		•
6	Air Inlet Disc	•	•	•
7	Float	•		•
8	Spring Retainer	•		
9	Spring, Check	•		
10	Poppet	•		•
11	Seal Ring	•	•	•
12	Seat	•		
13	O-Ring, Seat	•	•	

Whole Goods (Available for individual sale)			
Item #	Item Description	1/2"	3/4"
14	Ball Valve, Tapped	12-850TXL	34-850TXL
15	Test Cock	18-860XL	

Item No.	Repair Kit Description
1/2" and 3/4"	
RK12-420	Complete Repair Kit, 1/2" and 3/4" 420XL
RK12-420R	Rubber Repair Kit, 1/2" and 3/4" 420XL
RK12-420FK	Freeze Repair Kit, 1/2" and 3/4" 420XL



MODEL 420XL and 420

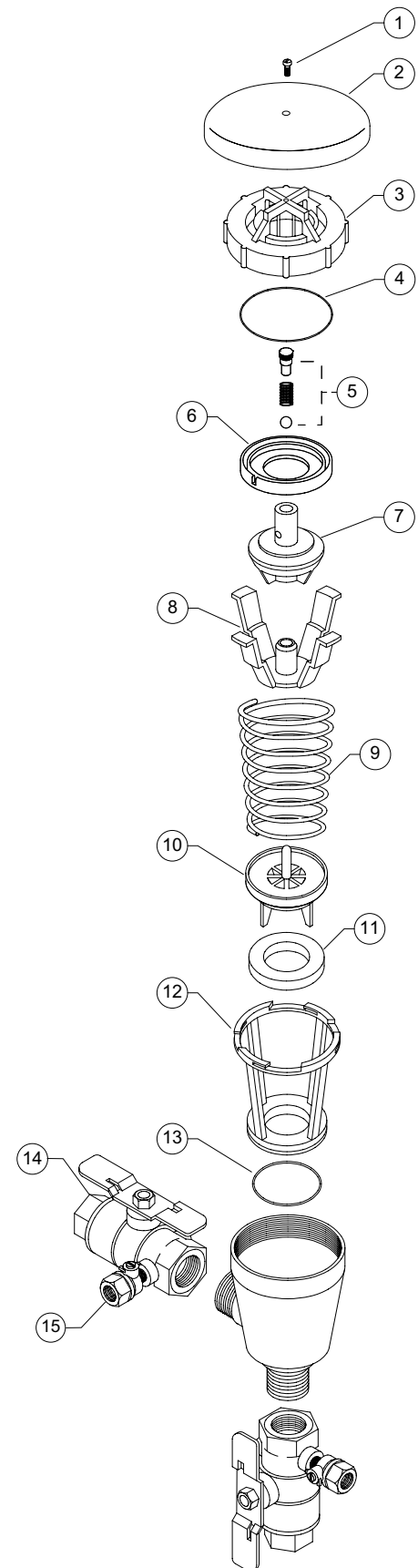
Pressure Vacuum Breakers – 1"



Repair Kit Components		1"		
Item #	Item Description	RK1-420	RK1-420R	RK1-420FK
1	Screw, Canopy	•		
2	Canopy	•		
3	Bonnet	•		•
4	O-Ring, Bonnet	•	•	•
5	Relief Valve Assembly	•		•
6	Air Inlet Disc	•	•	•
7	Float	•		•
8	Spring Retainer	•		
9	Spring, Check	•		
10	Poppet	•		•
11	Seal Ring	•	•	•
12	Seat	•		
13	O-Ring, Seat	•	•	

Whole Goods (Available for individual sale)		
Item #	Item Description	1"
14	Ball Valve, Tapped	1-850TXL
15	Test Cock	18-860XL

Item No.	Repair Kit Description
RK1-420	Complete Repair Kit, 1" 420XL
RK1-420R	Rubber Repair Kit, 1" 420XL
RK1-420FK	Freeze Repair Kit, 1" 420XL



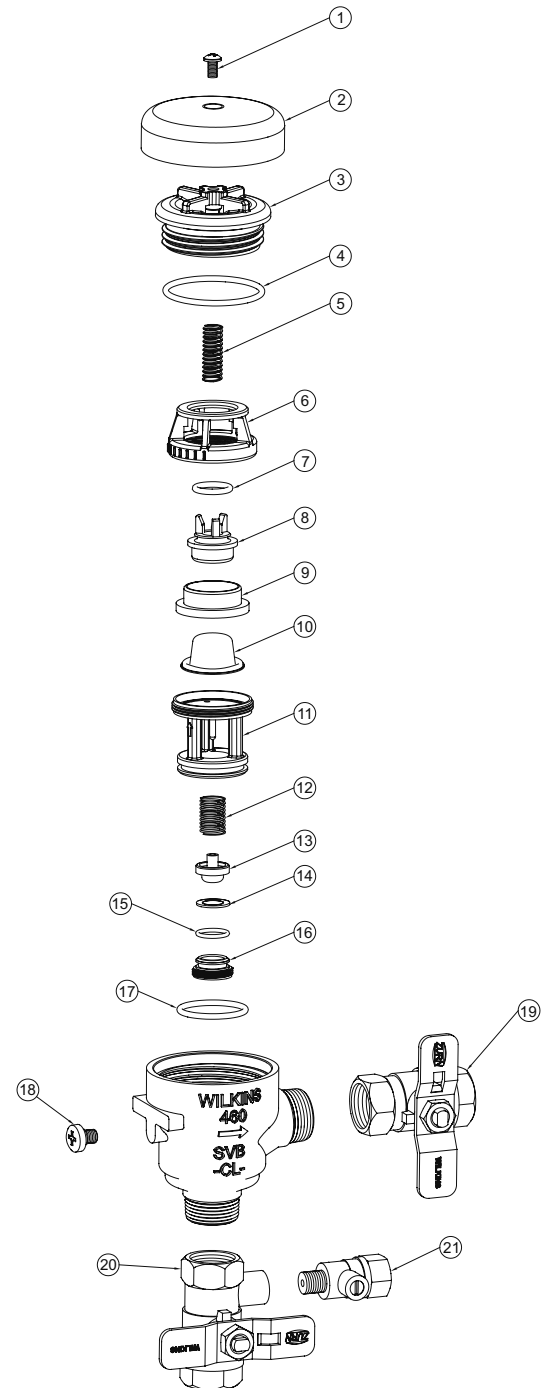
MODEL 460XL and 460

Spill Resistant Pressure Vacuum Breaker – 3/8" to 1"

Repair Kit Components		3/8" and 1/2"		3/4" and 1"	
Item #	Item Description	RK12-460	RK12-460R	RK1-460	RK1-460R
1	Screw, Canopy	•		•	
2	Canopy	•		•	
3	Bonnet	•		•	
4	O-Ring, Bonnet	•	•	•	•
5	Spring, Vent	•		•	
6	Vent Cage	•		•	
7	O-Ring, Vent Poppet	•		•	
8	Poppet, Vent	•	•	•	•
9	Thrust Washer	•		•	
10	Diaphragm	•	•	•	•
11	Check Cage	•		•	
12	Spring, Check	•		•	
13	Poppet, Check	•		•	
14	Seal Ring	•	•	•	•
15	O-Ring, Seat	•	•	•	•
16	Seat	•		•	
17	O-Ring, Check Cage	•	•	•	•
18	Screw, Bleed	•		•	

Whole Goods (Available for individual sale)					
Item #	Item Description	3/8"	1/2"	3/4"	1"
19	Ball Valve, Outlet	38-850XL	12-850XL	34-850XL	1-850XL
20	Ball Valve, Inlet	38-850TXL	12-850TXL	34-850TXL	1-850TXL
21	Test Cock	18-860XL			

Item No.	Repair Kit Description
3/8" and 1/2"	
RK12-460	Complete Repair Kit, 3/8" and 1/2" 460XL
RK12-460R	Rubber Repair Kit, 3/8" and 1/2" 460XL
3/4" and 1"	
RK1-460	Complete Repair Kit, 3/4" and 1" 460XL
RK1-460R	Rubber Repair Kit, 3/4" and 1" 460XL

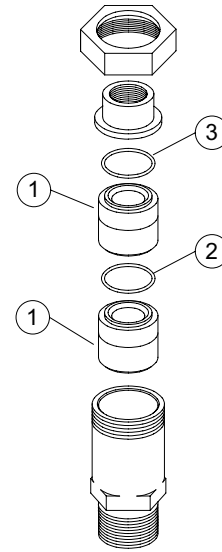


MODEL 700XL and 700

Dual Check Valve – 1/4" to 1"



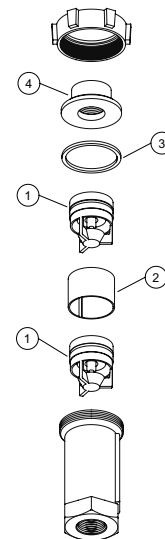
Repair Kit Components		1/4" - 1/2"	3/4" and 1"
Item #	Item Description	RK14-700	RK34-700
1	Poppet Assembly	●	●
2	O-Ring, Poppet	●	●
3	Washer/O-Ring	●	●



MODEL 700XLFP and 700FP

High Capacity Dual Check Valve – 1" to 1-1/2"

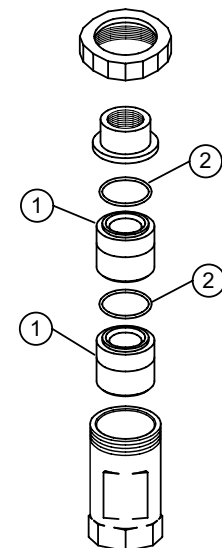
Repair Kit Components		1" - 1-1/2"
Item #	Item Description	RK1-700FP
1	Poppet Assembly	● (x2)
2	Sleeve	●
3	Union Gasket	●



MODEL 705

Dual Check Valve – 3/4" and 1"

Repair Kit Components		3/4" and 1"
Item #	Item Description	RK34-700
1	Poppet Assembly	● (x2)
2	O-Ring, Poppet	● (x2)



MODEL 310

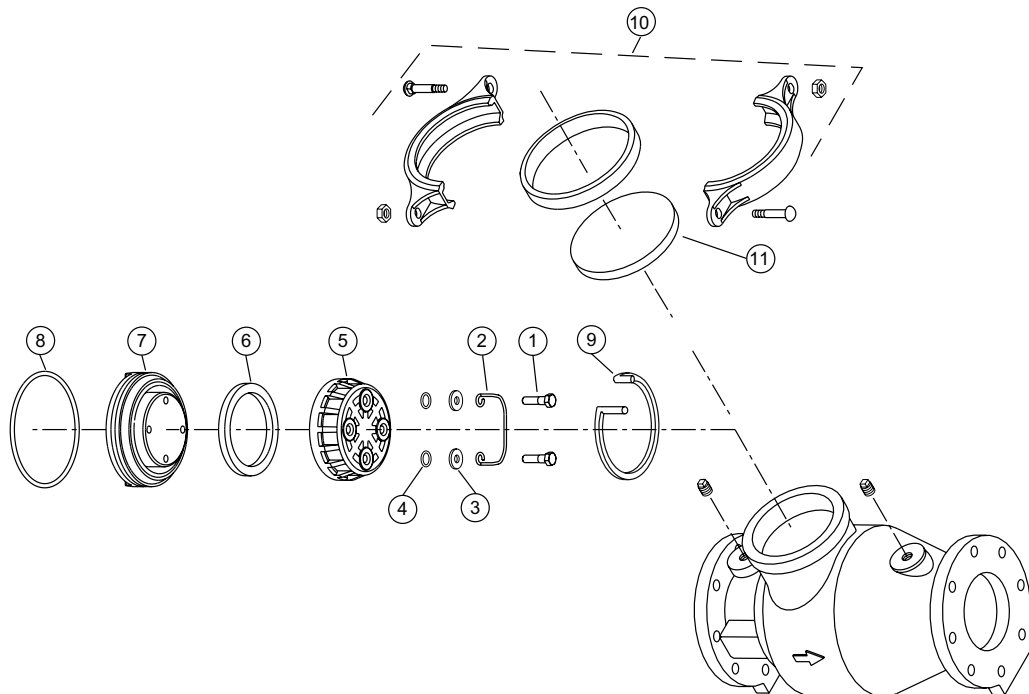
Single Check – 4" to 8"



Repair Kit Components		4"			6"		8"
Size Range		RK4-310	RK4-310CK	BRK4-LBF-SEATIRTNR	RK6-310	BRK6-LBF-SEATIRTNR	RK8-310
	4"		●	●	●		
6"					●	●	
8"							●
Item #	Item Description						
1	Bolt, Poppet Retainer		●(x4)				
2	Handle		●				
3	Washer, Poppet Bolt		●(x4)				
4	O-Ring, Poppet Bolt	●(x4)	●(x4)		●(x4)		●(x6)
5	Poppet Retainer		●				
6	Seal Ring	●	●		●		●
7	Seat Assembly		●				
8	O-Ring, Seat	●	●		●		●
9	Seat Retainer		●	●(x6)		●(x6)	

Item No.	Repair Kit Description
4"	
RK4-310	Standard Repair Kit, 4" 310
RK4-310CK	Check Assembly Repair Kit, 4" 310
BRK4LBF-SEATIRTNR	Bulk Seat Retainer Repair Kit, 4" 310
6"	
RK6-310	Standard Repair Kit, 6" 310
BRK6LBF-SEATIRTNR	Bulk Seat Retainer Repair Kit, 6" 310
8"	
RK8-310	Standard Repair Kit, 8" 310

Whole Goods (Available for individual sale)				
Item #	Item Description	4"	6"	8"
10	Cover Retainer Assembly	4-23	6-23	8-23
11	Cover	RK4-LBF-VALVE-COVER	RK6-LBF-VALVE-COVER	RK8-LBF-VALVE-COVER

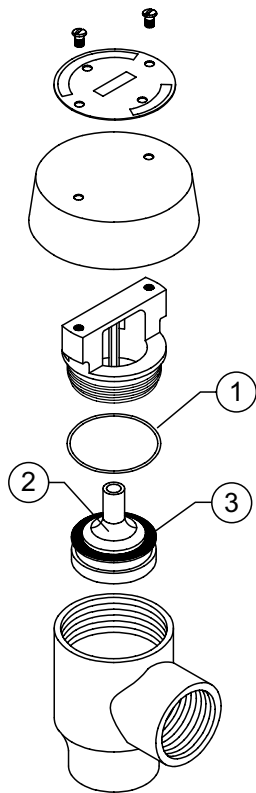


MODEL 35XL and 35

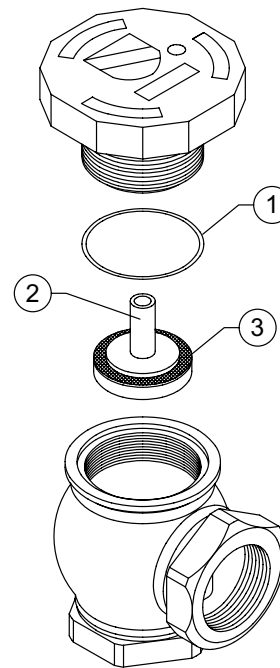
Atmospheric Vacuum Breaker – 1/4" to 2"



Repair Kit Components		Complete Repair Kits						
		1/4" and 3/8"	1/2"	3/4"	1"	1-1/4"	1-1/2"	2"
Item #	Item Description	RK14-35	RK12-35	RK34-35	RK1-35	RK14-35	RK12-35	RK2-35
1	O-Ring/Gasket	•	•	•	•	•	•	•
2	Float	•	•	•	•	•	•	•
3	Seal Ring	•	•	•	•	•	•	•



1/4" - 1/2"



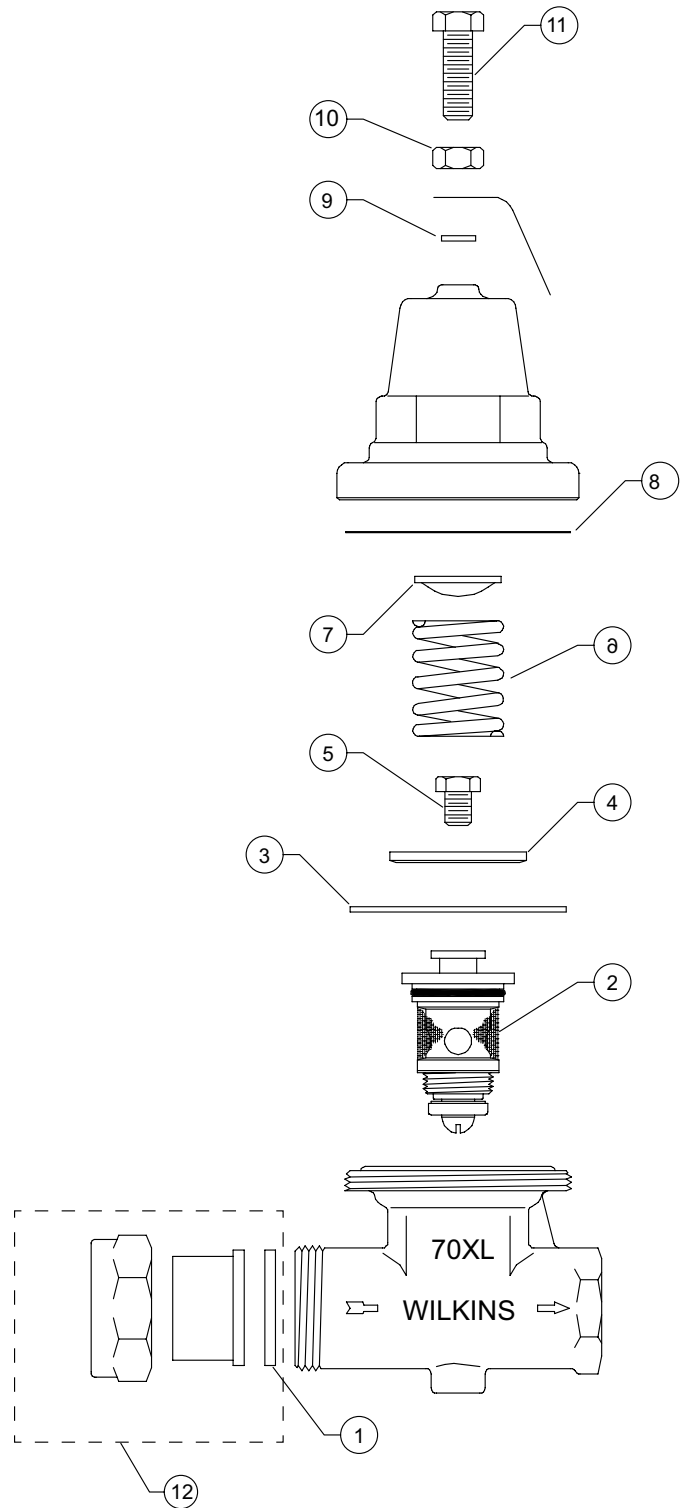
3/4" - 2"

MODEL 70XL

Pressure Reducing Valves – 3/4" to 1"



Repair Kit Components		Complete Repair Kits			
		3/4"		1"	
Item #	Item Description	RK34-70XL	RK34-70SS	RK1-70XL	RK1-70SS
1	Union Gasket	•	•	•	•
2	Cartridge	•	•	•	•
3	Diaphragm	•	•	•	•
4	Diaphragm Disc	•	•	•	•
5	Bolt, Diaphragm	•		•	
	Bolt, Diaphragm SS		•		•
6	Spring, SS	•	•	•	•
7	Spring Disc	•		•	
	Spring Disc, SS		•		•
8	Friction Ring	•		•	
	Friction Ring, SS		•		•
9	Washer, Adjustment Bolt		•		•
10	Locknut	•	•	•	•
11	Adjustment Bolt	•	•	•	•



MODEL NR3XL

Pressure Reducing Valves – 1/2" to 2"



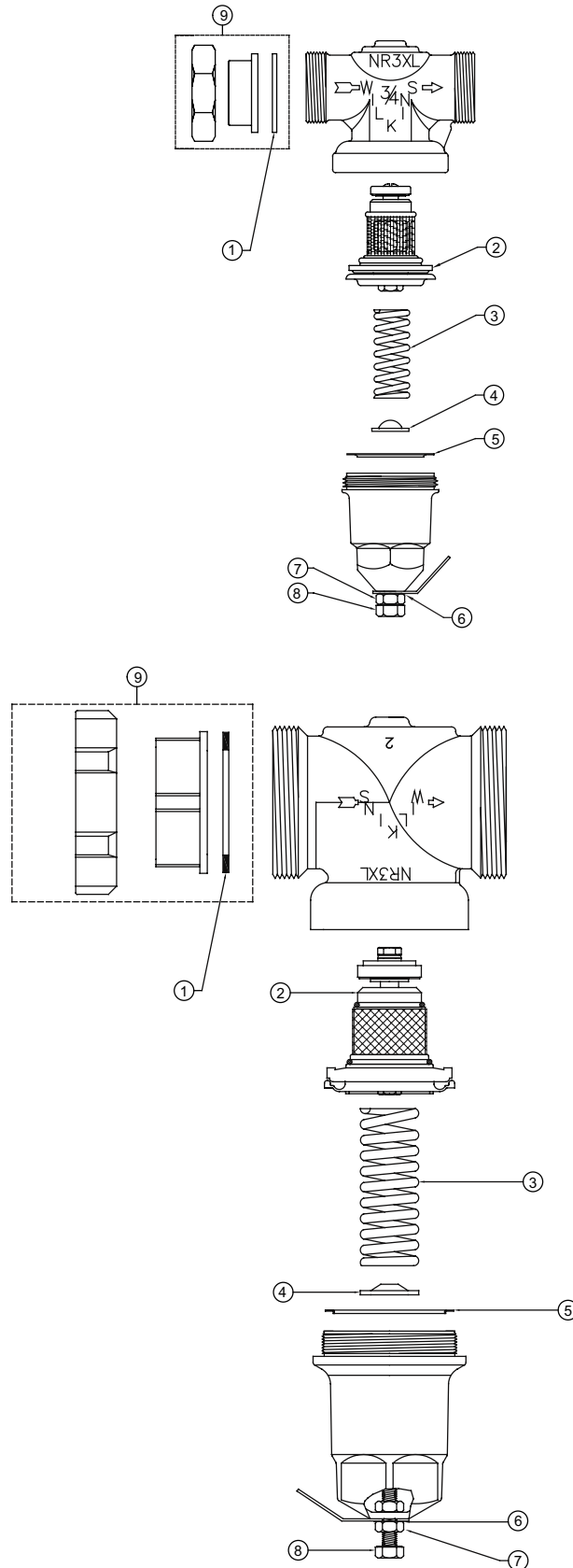
Repair Kit Components		Complete Repair Kits									
		1/2"		3/4"		1"		1-1/4"		1-1/2"	2"
Item #	Item Description	RK12-NR3XL	RK12-NR3XLHRSC	RK34-NR3XL	RK34-NR3XLHRSC	RK1-NR3XL	RK1-NR3XLHRSC	RK114-NR3XL	RK114-NR3XLHRSC	RK112-NR3XL	RK2-NR3XL
1	Union Gasket	•	•	•	•	•	•	•	•	•	•
2	Cartridge	•	•	•	•	•	•	•	•	•	•
3	Spring	•	•	•	•	•	•	•	•	•	•
4	Spring Disc	•	•	•	•	•	•	•	•	•	•
5	Friction Ring	•	•	•	•	•	•	•	•	•	•
6	Washer		•		•		•		•		
7	Locknut	•	•	•	•	•	•	•	•	•	•
8	Adjustment Bolt	•	•	•	•	•	•	•	•	•	•

Whole Goods (Available for individual sale)							
Item #	Item Description	1/2"	3/4"	1"	1-1/4"	1-1/2"	2"
9	Tailpiece Kit, NPT	12X34-TPKXL	34-TPKXL	1-TPKXL	114-TPKXL	112-TPKXL	2-TPKXL
	Tailpiece Kit, Copper	12X34-TPKXLC	34-TPKXLC	1-TPKXLC	114-TPKXLC	112-TPKXLC	2-TPKXLC
	Tailpiece Kit, Push Fit	12X34-TPKXLPF	34-TPKXLPF	1-TPKXLPF	N/A		
	Tailpiece Kit, Press Fit	N/A	34-TPKXLPR	1-TPKXLPR	114-TPKXLPR	112-TPKXLPR	2-TPKXLPR
	Tailpiece Kit, PEX	12X34-TPKXLPEX	34-TPKXLPEX	1-TPKXLPEX	N/A		
	Tailpiece Kit, PEXF1960	12X34-TPKXLPEXF1960	34-TPKXLPEXF1960	1-TPKXLPEXF1960			
	Tailpiece Kit, CPVC	N/A	34-TPKCPVC	1-TPKCPVC			

MODEL NR3XL

Pressure Reducing Valves - 1/2" to 2"

Parts Drawing



MODEL 600XL

Pressure Reducing Valves – 1/2" to 1"



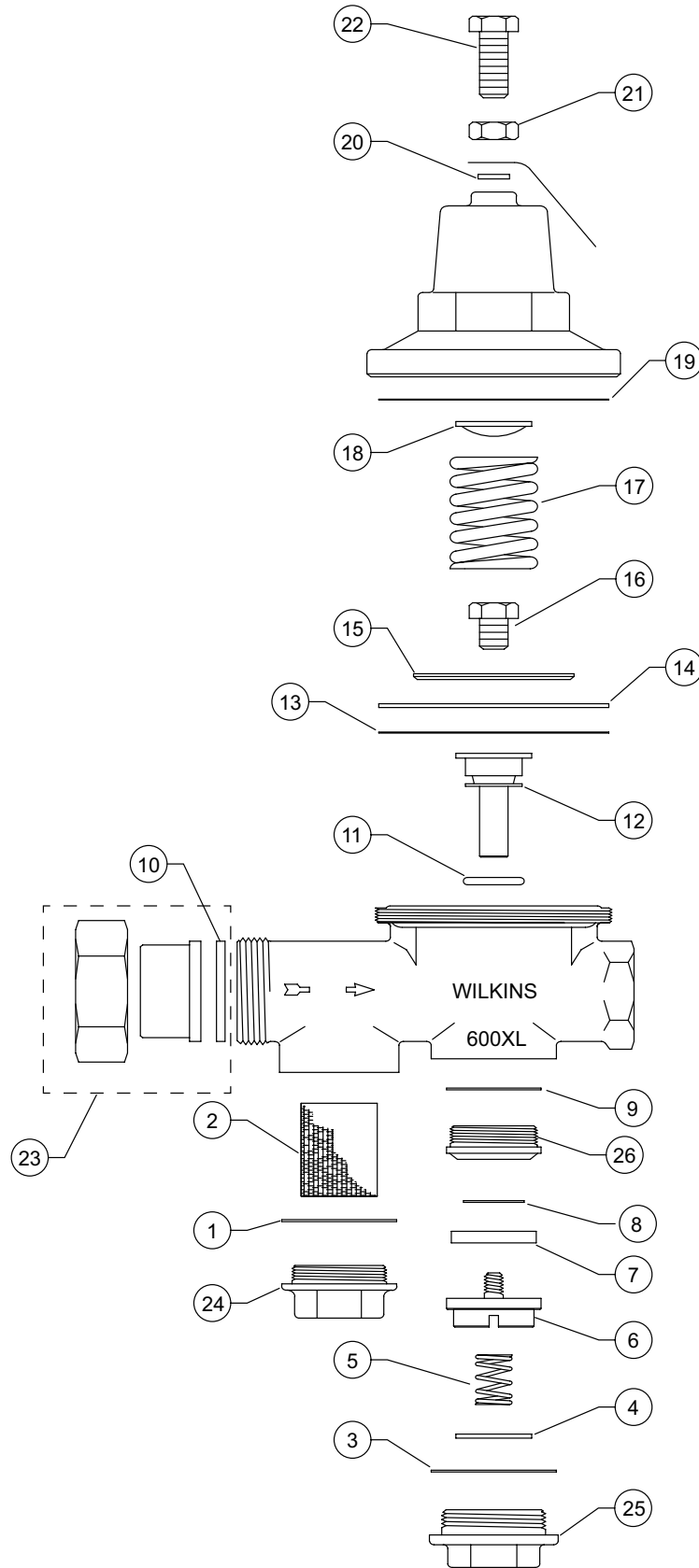
Repair Kit Components		Complete Repair Kits																	
		1/2"					3/4"						1"						
Item #	Item Description	RK12-600XL	RK12-600XHLR	RK12-600XHLR	RK12-600XLHTSTSC	RK12-600XHLRHTSTSC	RK12-610XL	RK34-600XL	RK34-600XHLR	RK34-600XHLR	RK34-600XLHTSTSC	RK34-600XHLRHTSTSC	RK34-610XL	RK1-600XL	RK1-600XHLR	RK1-600XHLR	RK1-600XLHTSTSC	RK1-600XHLRHTSTSC	RK1-610XL
1	Washer, Strainer Cap	•	•	•	•	•	•	•	•	•	•	•	•	•	•	•	•	•	•
2	Screen	•	•	•	•	•	•	•	•	•	•	•	•	•	•	•	•	•	•
3	Washer, Cap	•	•	•	•	•	•	•	•	•	•	•	•	•	•	•	•	•	•
4	Washer, LP Spring			•						•							•		
5	Spring, Low Range			•						•							•		
6	Plunger Washer, 610XL						•							•					•
7	Seat Washer	•	•	•				•		•				•		•			•
	Seat Washer, High Temp				•	•					•	•					•	•	
8	Washer, Plunger Stem	•	•	•	•	•	•	•	•	•	•	•	•	•	•	•	•	•	•
9	Gasket, Seat	•	•	•	•	•	•	•	•	•	•	•	•	•	•	•	•	•	•
10	Union Gasket	•	•	•			•	•	•	•			•	•	•	•			•
	Union Gasket, High Temp				•	•					•	•						•	
11	O-Ring, Stem	•	•	•			•	•	•	•			•	•	•	•			•
	O-Ring, Stem, High Temp				•	•					•	•					•	•	
12	Stem	•	•	•	•	•	•	•	•	•	•	•	•	•	•	•	•	•	•
13	Diaphragm, Teflon				•	•					•	•					•	•	
14	Diaphragm	•	•	•	•	•		•		•	•	•		•		•	•	•	•
	Diaphragm, High Inlet Pressure						•						•						•
15	Diaphragm Disc	•	•	•			•	•	•	•			•	•	•	•			•
	Diaphragm Disc, SS				•	•					•	•					•	•	
16	Bolt/Nut	•	•	•			•	•	•	•			•	•	•	•			•
	Bolt/Nut, SS				•	•					•	•					•	•	
	Spring	•			•			•			•			•			•		
17	Spring, High Range		•	•			•		•	•			•		•	•			•
	Spring, High Range, SS					•						•						•	
18	Spring Disc	•	•(x2)	•(x2)			•(x2)	•	•(x2)	•(x2)			•(x2)	•	•(x2)	•(x2)			•(x2)
	Spring Disc, SS				•	•(x2)					•	•(x2)					•	•(x2)	
19	Friction Ring	•	•	•			•	•	•	•			•	•	•	•			•
	Friction Ring, SS				•	•					•	•					•	•	
20	Washer, Adjustment Bolt				•	•					•	•					•	•	
21	Locknut, SS				•						•						•		
22	Adjustment Bolt, SS				•						•						•		

Whole Goods (Available for individual sale)				
Item #	Item Description	1/2"	3/4"	1"
23	Tailpiece Kit, NPT Female	12-TPKXL	34-TPKXL	1-TPKXL
	Tailpiece Kit, NPT Male	N/A	34-TPKXLM	1-TPKXLM
	Tailpiece Kit, Copper, Female	12-TPKXLC	34-TPKXLC	1-TPKXLC
	Tailpiece Kit, Copper, Male	N/A	34-TPKXLCM	1-TPKXLCM
	Tailpiece Kit, Push Fit	12-TPKXLPF	34-TPKXLPF	1-TPKXLPF
	Tailpiece Kit, Press Fit	12-TPKXLPR	34-TPKXLPR	1-TPKXLPR
	Tailpiece Kit, PEX	12-TPKXLPEX	34-TPKXLPEX	1-TPKXLPEX
	Tailpiece Kit, PEXF1960	12-TPKXLPEXF1960	34-TPKXLPEXF1960	1-TPKXLPEXF1960
Tailpiece Kit, CPVC	N/A	34-TPKCPVC	1-TPKCPVC	
24	Strainer Cap	601-3XL	602-3XL	501-3XL-010F
25	Main Cap	601-3XL	602-3XL	603-3AXL-010F
	Main Cap Low Pressure	601-3LLP	602-3XL	603-3AXL-010F
26	Seat	601-18	602-18	603-18

MODEL 600XL

Pressure Reducing Valves - 1/2" to 1"

Parts Drawing



MODEL 600XL

Pressure Reducing Valves – 1-1/4" to 2"



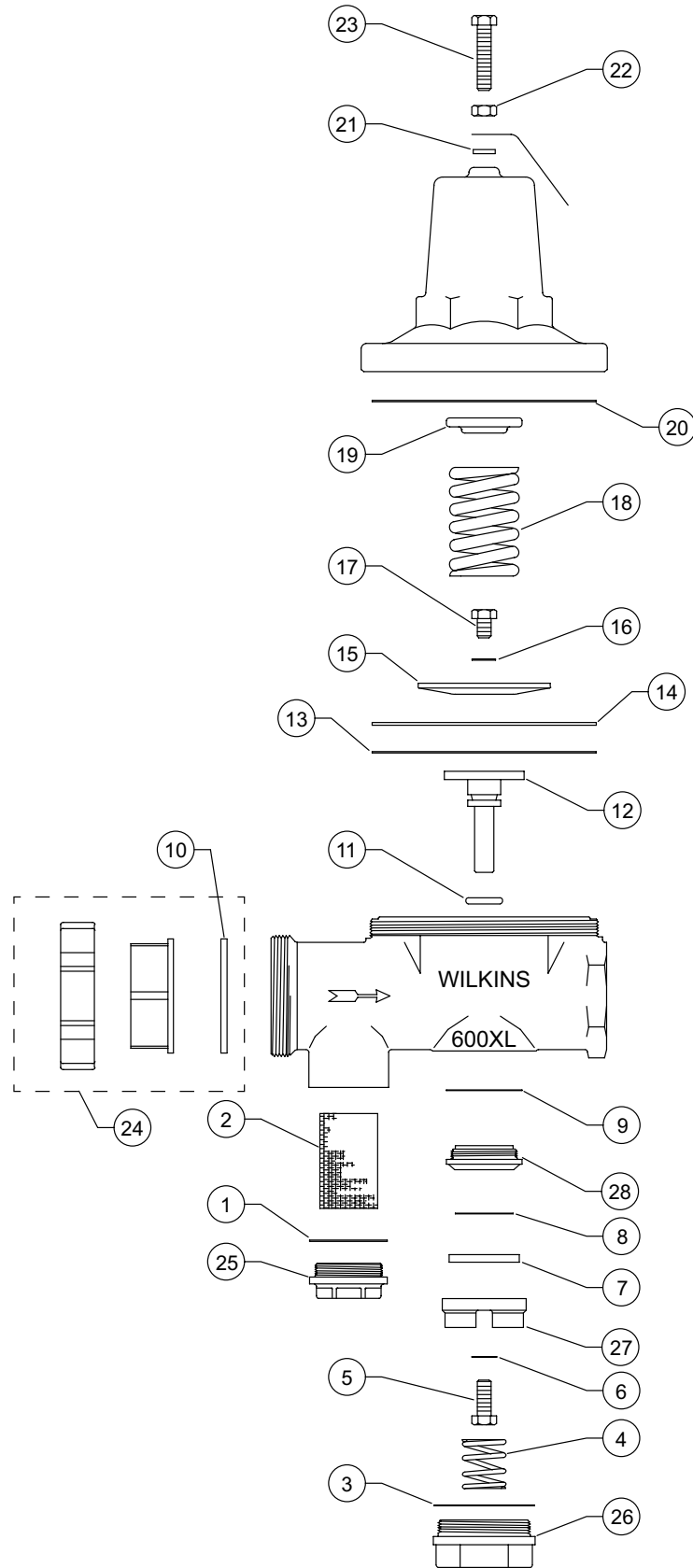
Repair Kit Components		Complete Repair Kits														
		1-1/4"					1-1/2"					2"				
Item #	Item Description	RK114-600XL	RK114-600XLHR	RK114-600XLHLR	RK114-600XLH1STSC	RK114-610XL	RK112-600XL	RK112-600XLHR	RK112-600XLHLR	RK112-600XLH1STSC	RK112-610XL	RK2-600XL	RK2-600XLHR	RK2-600XLHLR	RK2-600XLH1STSC	RK2-610XL
1	Gasket, Strainer Cap	•	•	•	•	•	•	•	•	•	•	•	•	•	•	•
2	Screen	•	•	•	•	•	•	•	•	•	•	•	•	•	•	•
3	Gasket, Cap	•	•	•	•	•	•	•	•	•	•	•	•	•	•	•
4	Spring, Low Range			•					•					•		
5	Bolt, Plunger	•	•	•	•	•	•	•	•	•	•	•	•	•	•	•
6	Washer, Plunger Bolt	•	•	•	•	•	•	•	•	•	•	•	•	•	•	•
7	Seat Washer	•	•	•		•	•	•		•	•	•	•			•
	Seat Washer, High Temp				•				•						•	
8	Washer, Stem	•	•	•	•	•	•	•	•	•	•	•	•	•	•	•
9	Seat Gasket															
10	Union Gasket	•	•	•		•	•	•		•	•	•	•			•
	Union Gasket, High Temp				•				•						•	
11	O-Ring, Stem	•	•	•		•	•	•		•	•	•	•			•
	O-Ring, Stem, High Temp				•				•						•	
12	Stem	•	•	•	•	•	•	•	•	•	•	•	•	•	•	•
13	Diaphragm, Teflon				•				•						•	
14	Diaphragm	•	•	•	•	•	•	•	•	•	•	•	•	•	•	•
15	Diaphragm Disc	•	•	•	•	•	•	•	•	•	•	•	•	•	•	•
16	Washer, Diaphragm Bolt						•	•	•	•	•					
17	Bolt, Diaphragm	•	•	•		•	•	•		•	•	•	•	•		•
	Bolt, Diaphragm, SS				•				•						•	
	Spring	•					•					•				
18	Spring, High Range		•	•		•		•		•			•	•		•
	Spring, SS				•				•						•	
19	Spring Disc	•	•	•	•	•	•	•	•	•	•	•	•	•	•	•
20	Friction Ring	•	•	•	•	•	•	•	•	•	•					
21	Washer, Adjustment Bolt				•				•						•	
22	Locknut, SS				•				•						•	
23	Adjustment Bolt, SS				•				•						•	

Whole Goods (Available for individual sale)				
Item #	Item Description	1-1/4"	1-1/2"	2"
24	Tailpiece Kit, NPT Female	114-TPKXL	112-TPKXL	2-TPKXL
	Tailpiece Kit, Copper, Female	114-TPKXLC	112-TPKXLC	2-TPKXLC
	Tailpiece Kit, Press Fit	114-TPKXLPR	112-TPKXLPR	2-TPKXLPR
25	Strainer Cap	603-3AXL-010F	605A-3AXL-010F	606A-3XL-010F
26	Main Cap	604-3XL-010F	604-3XL-010F	606-3XL-010F
27	Plunger	604-34XL	605-34XL-010F	606-34XL-010F
28	Seat	604-18	605-18	606-18

MODEL 600XL

Pressure Reducing Valves - 1-1/4" to 2"

Parts Drawing



MODEL 500XL

Pressure Reducing Valves – 1/2" to 1"



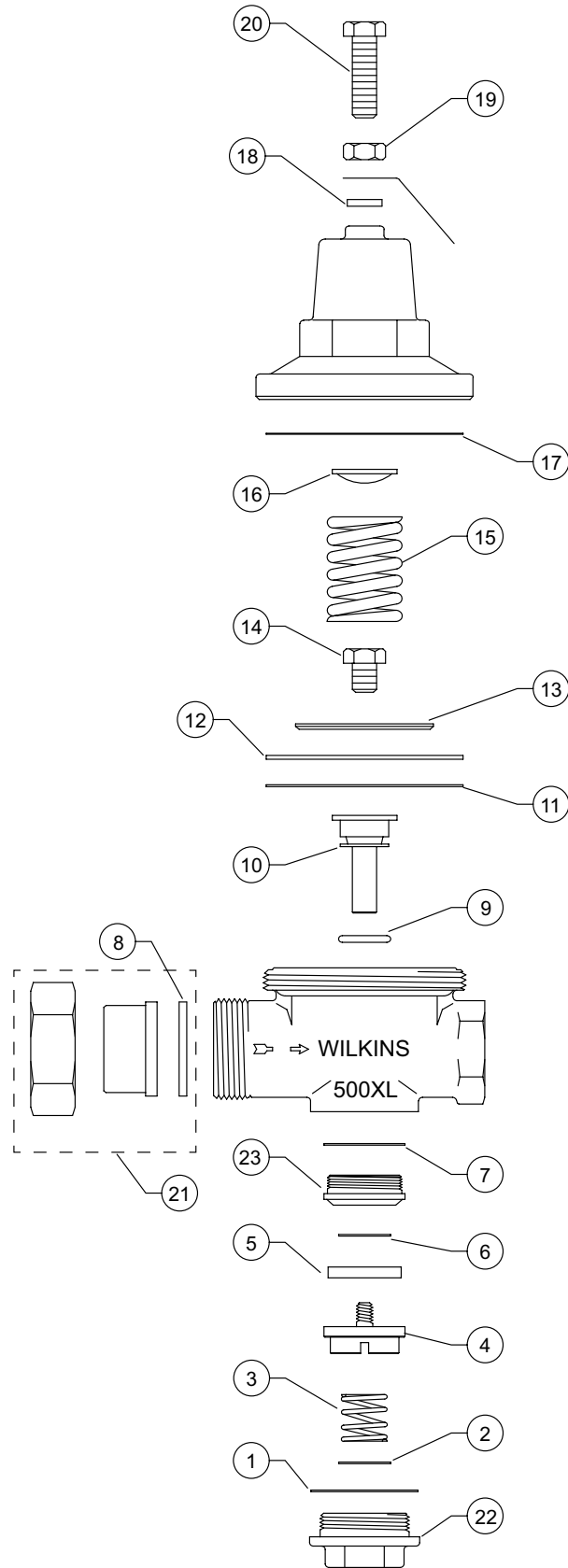
Repair Kit Components		Complete Repair Kits																				
		1/2"						3/4"						1"								
Item #	Item Description	RK12-500XL	RK12-500XLHR	RK12-500XLHLR	RK12-500XLHTSTSC	RK12-500XLHRHTSTSC	RK12-500XLSW	RK12-510XL	RK34-500XL	RK34-500XLHR	RK34-500XLHLR	RK34-500XLHTSTSC	RK34-500XLHRHTSTSC	RK34-500XLSW	RK34-510XL	RK1-500XL	RK1-500XLHR	RK1-500XLHLR	RK1-500XLHTSTSC	RK1-500XLHRHTSTSC	RK1-500XLSW	RK1-510XL
1	Washer, Cap	•	•	•	•	•	•	•	•	•	•	•	•	•	•	•	•	•	•	•	•	•
2	Washer, LP Spring			•																		
3	Spring, Low Range			•																		
4	Plunger Washer (510XL)							•							•							•
5	Seat Washer	•	•	•			•	•	•	•	•			•	•	•	•	•			•	•
	Seat Washer, High Temp				•	•						•	•						•	•		
6	Washer, Plunger Stem	•	•	•	•	•	•	•	•	•	•	•	•	•	•	•	•	•	•	•	•	•
7	Gasket, Seat	•	•	•	•	•	•	•	•	•	•	•	•	•	•	•	•	•	•	•	•	•
8	Union Gasket	•	•	•			•	•	•	•	•			•	•	•	•	•			•	•
	Union Gasket, High Temp				•	•						•	•						•	•		
9	O-Ring, Stem	•	•	•			•	•	•	•	•			•	•	•	•	•			•	•
	O-Ring, Stem, High Temp				•	•						•	•						•	•		
10	Stem	•	•	•	•	•		•	•	•	•	•			•	•	•	•	•	•	•	•
	Stem, Chrome						•							•								
11	Diaphragm, Teflon				•	•						•	•						•	•		
12	Diaphragm	•	•	•	•	•	•		•	•	•	•	•	•		•	•	•	•	•	•	•
	Diaphragm, High Inlet Pressure							•							•							•
13	Diaphragm Disc	•	•	•			•	•	•	•	•			•	•	•	•	•			•	•
	Diaphragm Disc, SS				•	•						•	•						•	•		
14	Bolt/Nut	•	•	•				•	•	•	•				•	•	•	•				•
	Bolt/Nut, SS				•	•						•	•						•	•		
15	Spring	•					•		•					•		•					•	
	Spring, High Range		•	•				•		•					•		•					•
	Spring, High Range, SS				•	•						•	•						•	•		
16	Spring Disc	•	•(x2)	•(x2)			•	•(x2)	•	•(x2)	•(x2)			•	•(x2)	•	•(x2)	•(x2)			•	•(x2)
	Spring Disc, SS				•	•(x2)	•					•	•(x2)	•					•	•(x2)	•	
17	Friction Ring	•	•	•			•	•	•	•				•	•	•	•	•			•	•
	Friction Ring, SS				•	•						•	•						•	•		
18	Washer, Adjustment Bolt				•	•						•	•						•	•		
19	Locknut, SS				•	•						•	•						•	•		
20	Adjustment Bolt, SS				•	•						•	•						•	•		

Whole Goods (Available for individual sale)			
Item #	Item Description	1/2"	1"
4	Plunger		603-34XL
	Plunger, Chrome		603-34XLCH
21	Tailpiece Kit, NPT Female	12-TPKXL	34-TPKXL
	Tailpiece Kit, NPT Male	N/A	34-TPKXLM
	Tailpiece Kit, Copper, Female	12-TPKXLC	34-TPKXLC
	Tailpiece Kit, Copper, Male	N/A	34-TPKXLCM
	Tailpiece Kit, Push Fit	12-TPKXLPF	34-TPKXLPF
	Tailpiece Kit, Press Fit	12-TPKXLPR	34-TPKXLPR
	Tailpiece Kit, PEX	12-TPKXLPEX	34-TPKXLPEX
	Tailpiece Kit, PEXF1960	12-TPKXLPEXF1960	34-TPKXLPEXF1960
	Tailpiece Kit, CPVC	N/A	34-TPKCPVC
22	Main Cap	501-3XL-010F	603-3AXL-010F
23	Seat	601-18	603-18

MODEL 500XL

Pressure Reducing Valves - 1/2" to 1"

Parts Drawing



MODEL 500XL

Pressure Reducing Valves - 1-1/4" to 3"



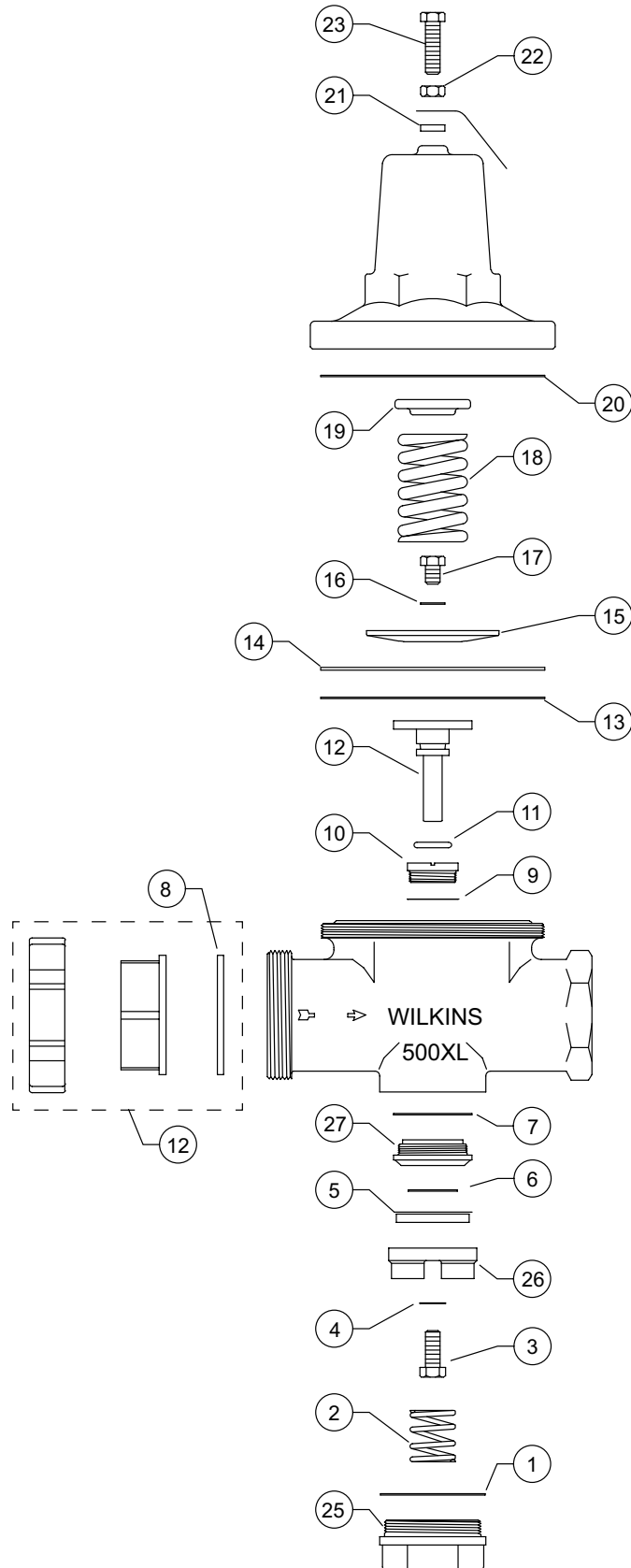
Repair Kit Components		Complete Repair Kits																																					
		1-1/4"						1-1/2"						2"						2-1/2"						3"													
Item #	Item Description	RK114-500XL	RK114-500XLHR	RK114-500XLHLR	RK114-500XLHTSTSC	RK114-500XLHRHTSTSC	RK2-500XLSW	RK114-510XL	RK112-500XL	RK112-500XLHR	RK112-500XLHLR	RK112-500XLHTSTSC	RK112-500XLHRHTSTSC	RK2-500XLSW	RK112-510XL	RK2-500XL	RK2-500XLHR	RK2-500XLHLR	RK2-500XLHTSTSC	RK2-500XLHRHTSTSC	RK2-500XLSW	RK2-510XL	RK212-500XL	RK212-500XLHR	RK212-500XLHLR	RK212-500XLHTSTSC	RK212-500XLHRHTSTSC	RK212-500XLSW	RK212-510XL	RK3-500XL	RK3-500XLHR	RK3-500XLHLR	RK3-500XLHTSTSC	RK2-500XLHRHTSTSC	RK2-500XLSW	RK3-510XL			
1	Washer, Cap	•	•	•	•	•	•	•	•	•	•	•	•	•	•	•	•	•	•	•	•	•	•	•	•	•	•	•	•	•	•	•	•	•	•	•	•		
2	Spring, Low Range			•						•									•																				
3	Bolt, Plunger	•	•	•	•	•	•	•	•	•	•	•	•	•	•	•	•	•	•	•	•	•	•	•	•	•	•	•	•	•	•	•	•	•	•	•	•		
4	Washer, Plunger Bolt	•	•	•	•	•	•	•	•	•	•	•	•	•	•	•	•	•	•	•	•	•	•	•	•	•	•	•	•	•	•	•	•	•	•	•	•	•	
5	Seat Washer	•	•	•			•	•	•	•	•			•	•	•	•	•			•	•	•	•	•			•	•	•	•	•	•			•	•		
	Seat Washer, High Temp				•	•						•	•						•	•							•	•							•	•			
6	Washer, Stem	•	•	•	•	•	•	•	•	•	•	•	•	•	•	•	•	•	•	•	•	•	•	•	•	•	•	•	•	•	•	•	•	•	•	•	•	•	
7	Seat Gasket																																						
8	Union Gasket	•	•	•			•	•	•	•	•	•	•	•	•	•	•	•	•	•	•	•	•	•	•	•	•	•	•	•	•	•	•	•	•	•	•	•	
	Union Gasket, High Temp				•	•						•	•						•	•							•	•									•	•	
9	Gasket, Sleeve																																						
10	Sleeve																																						
11	O-Ring, Stem	•	•	•			•	•	•	•	•	•	•	•	•	•	•	•	•	•	•	•	•	•	•	•	•	•	•	•	•	•	•	•	•	•	•	•	
	O-Ring, Stem, High Temp				•	•						•	•						•	•						•	•									•	•		
12	Stem	•	•	•	•	•			•	•	•	•	•	•	•	•	•	•	•	•	•	•	•	•	•	•	•	•	•	•	•	•	•	•	•	•	•	•	
	Stem, Chrome					•							•							•							•										•		
13	Diaphragm, Teflon				•	•						•	•						•	•						•	•									•	•		
14	Diaphragm	•	•	•	•	•			•	•	•	•	•	•	•	•	•	•	•	•	•	•	•	•	•	•	•	•	•	•	•	•	•	•	•	•	•	•	
15	Diaphragm Disc	•	•	•			•	•	•	•	•	•	•	•	•	•	•	•	•	•	•	•	•	•	•	•	•	•	•	•	•	•	•	•	•	•	•	•	
	Diaphragm Disc, SS				•	•						•	•						•	•						•	•									•	•		
16	Washer, Diaphragm Bolt								•	•	•	•	•	•	•	•	•	•	•	•	•	•	•	•	•	•	•	•	•	•	•	•	•	•	•	•	•	•	
17	Bolt, Diaphragm	•	•	•			•	•	•	•	•	•	•	•	•	•	•	•	•	•	•	•	•	•	•	•	•	•	•	•	•	•	•	•	•	•	•	•	•
	Bolt, Diaphragm, SS				•	•						•	•						•	•					•	•										•	•		
18	Spring	•					•		•				•					•						•				•									•		
	Spring, SS				•							•							•							•											•		
	Spring, High Range		•	•				•		•								•						•					•									•	
	Spring, High Range, SS					•						•								•							•											•	
19	Spring Disc	•																																					
	Spring Disc, High Range		•	•				•																															
	Spring Disc, SS				•	•																																	
20	Friction Ring	•	•	•	•	•			•	•	•	•	•	•	•	•	•	•	•	•	•	•	•	•	•	•	•	•	•	•	•	•	•	•	•	•	•	•	
21	Washer, Adjustment Bolt				•	•						•	•						•	•						•	•										•	•	
22	Locknut, SS				•	•						•	•						•	•						•	•										•	•	
23	Adjustment Bolt, SS				•	•						•	•						•	•						•	•										•	•	

Whole Goods (Available for individual sale)							
Item #	Item Description	1-1/4"	1-1/2"	2"	2-1/2"	3"	
24	Tailpiece Kit, NPT Female	114-TPKXL	112-TPKXL	2-TPKXL	N/A		
	Tailpiece Kit, Copper, Female	114-TPKXLC	112-TPKXLC	2-TPKXLC			
	Tailpiece Kit, Press Fit	114-TPKXLPR	112-TPKXLPR	2-TPKXLPR			
25	Main Cap		604-3XL-010F	606-3XL-010F	507-3XL-010F	508-3XL-010F	
26	Plunger	604-34XL	605-34XL-010F	606-34XL-010F	507-34AXL-010F	508-34XL-010F	
	Plunger, Chrome	604-34XLCH	605-34XLCH	606-34XLCH	507-34AXLCH	508-34XLCH	
27	Seat	604-18	605-18	606-18	507-18	508-18	

MODEL 500XL

Pressure Reducing Valves - 1-1/4" to 3"

Parts Drawing



MODEL 500XL3

Pressure Reducing Valves – 1" to 3"



Repair Kit Components		Complete Repair Kits											
		1"		1-1/4"		1-1/2"		2"		2-1/2"		3"	
Item #	Item Description	RK1-500XL3	RK1-500XL3HR	RK114-500XL3	RK114-500XL3HR	RK112-500XL3	RK112-500XL3HR	RK2-500XL3	RK2-500XL3HR	RK212-3-500XL3	RK212-3-500XL3HR	RK212-3-500XL3	RK212-3-500XL3HR
1	Adjustment Bolt	●	●	●	●	●	●	●	●	●	●	●	●
2	Locknut	●	●	●	●	●	●	●	●	●	●	●	●
3	Spring Disc	●	●	●	●	●	●	●	●	●	●	●	●
4	Spring	●		●		●		●		●		●	
5	High Range Spring		●		●		●		●		●		●
6	Friction Ring	●	●	●	●	●	●	●	●				
7	Cartridge	●	●	●	●	●	●	●	●	●	●	●	●
8	Guide Pin O-rings									●	●	●	●
9	Union Gasket	● (x2)	● (x2)	● (x2)	● (x2)	● (x2)	● (x2)	● (x2)	● (x2)				

Whole Goods (Available for individual sale)							
Item #	Item Description	1"	1-1/4"	1-1/2"	2"	2-1/2"	3"
10	Tailpiece Kit, NPT	1-TPKXL	114-TPKXL	112-TPKXL	2-TPKXL		N/A
	Tailpiece Kit, Copper	1-TPKXLC	114-TPKXLC	112-TPKXLC	2-TPKXLC		N/A
	Tailpiece Kit, Press Fit	1-TPKXLPR	114-TPKXLPR	112-TPKXLPR	2-TPKXLPR		N/A

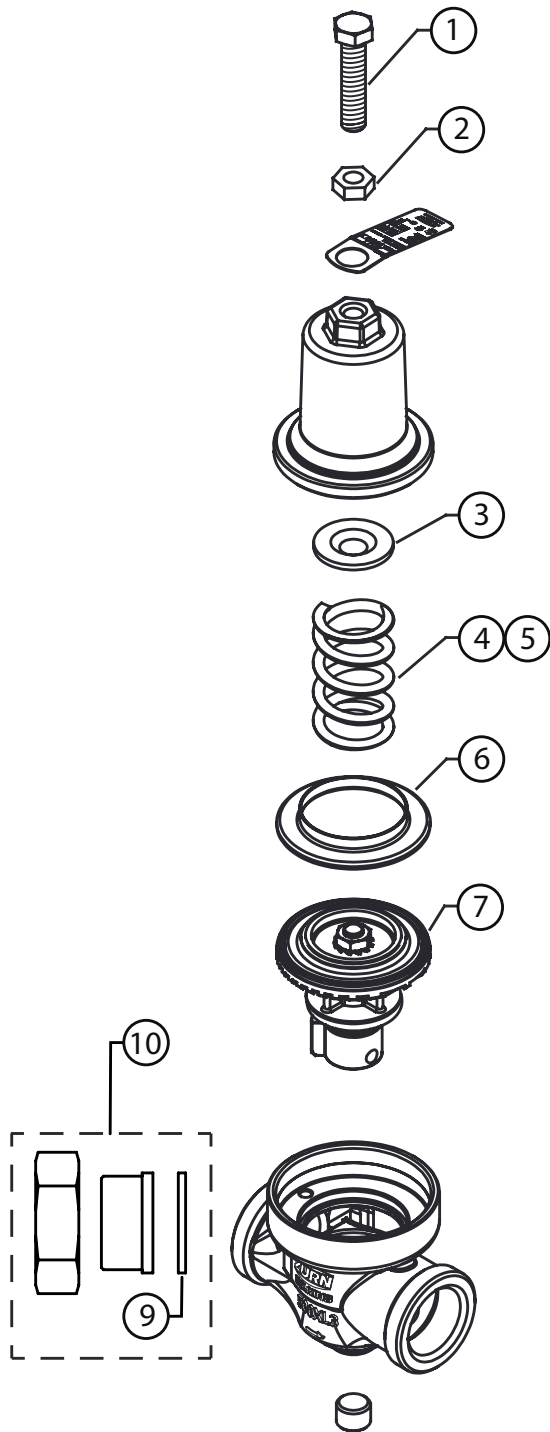
MODEL 500XL3

Pressure Reducing Valves - 1" to 3"

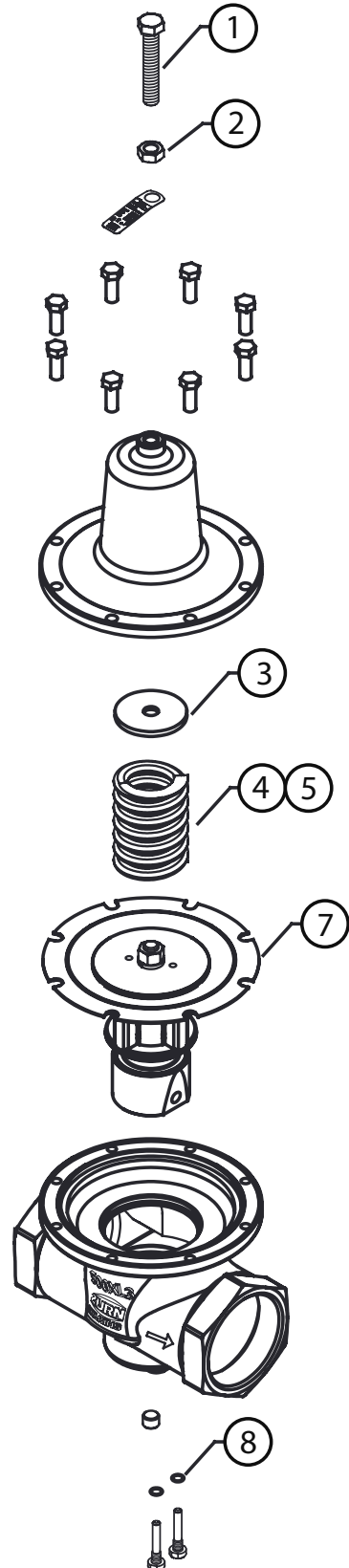
Parts Drawing



1" - 2"



2-1/2" - 3"



MODEL 500XLC

Pressure Reducing Valves – 2" to 3"

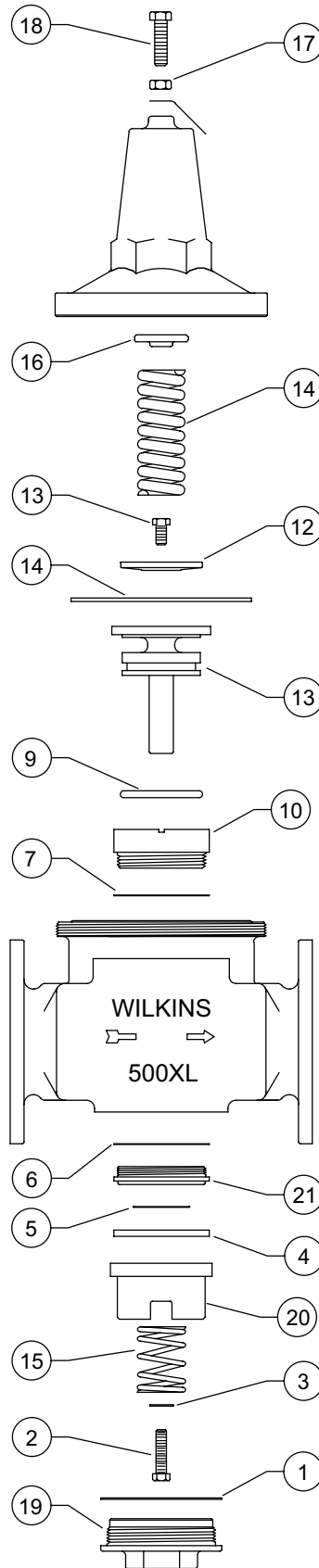


Repair Kit Components		Complete Repair Kits											
		2"				2-1/2"				3"			
Item #	Item Description	RK2-500XLF	RK2-500XLFHR	RK2-500XLFHSTISC	RK2-500XLFWSW	RK212-500XLF	RK212-500XLFHR	RK212-500XLFCHTSTISC	RK212-500XLFWSW	RK3-500XLF	RK3-500XLFHR	RK3-500XLFHSTISC	RK3-500XLFWSW
1	Washer, Cap	•	•	•	•	•	•	•	•	•	•	•	•
2	Bolt, Plunger	•	•	•	•	•	•	•	•	•	•	•	•
3	Washer, Plunger Bolt	•	•	•	•	•	•	•	•	•	•	•	•
4	Seat Washer	•	•		•	•	•		•	•	•		•
	Seat Washer, High Temp			•				•				•	
5	Washer, Plunger	•	•	•	•	•	•	•	•	•	•	•	•
6	Seat Gasket	•	•	•	•	•	•	•	•	•	•	•	•
7	Sleeve Gasket	•	•	•	•	•	•	•	•	•	•	•	•
8	Sleeve	•	•	•		•	•	•		•	•	•	
	Sleeve, Chrome				•				•				•
9	O-Ring, Stem	•	•		•	•	•		•	•	•		•
	O-Ring, Stem, High Temp			•				•				•	
10	Stem	•	•	•		•	•	•		•	•	•	
	Stem, Chrome				•				•				•
11	Diaphragm	•	•	•	•	•	•	•	•	•	•	•	•
	Diaphragm, Teflon			•				•				•	
12	Diaphragm Disc	•	•	•	•	•	•	•	•	•	•	•	•
13	Bolt, Diaphragm Disc	•	•		•	•	•		•	•	•		•
	Bolt, Diaphragm Disc, SS			•				•				•	
14	Spring	•			•	•			•	•			•
	Spring, High Range		•				•				•		
	Spring, SS			•				•				•	
15	Spring, Low Range												
	Spring Disc	•		•	•	•		•	•	•		•	•
16	Spring Disc, High Range		•				•				•		
17	Locknut, SS			•				•				•	
18	Adjustment Bolt, SS			•				•				•	

Whole Goods (Available for individual sale)				
Item #	Item Description	2"	2-1/2"	3"
19	Main Cap	507-3XL-010F	507-3XL-010F	508-3XL-010F
	Plunger	507-34AXL-010F	507-34AXL-010F	508-34XL-010F
20	Plunger, Chrome	507-34AXLCH	507-34AXLCH	508-34XLCH
21	Seat	506-18	507-18	508-18

MODEL 500XLFC

Pressure Reducing Valves - 2" to 3"
Parts Drawing



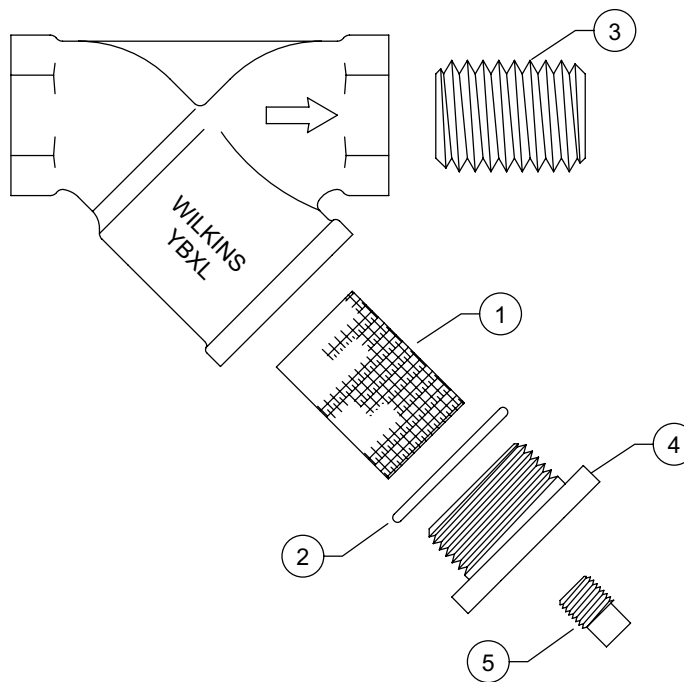
MODEL YBXL

Bronze Wye Type Strainer – 1/2" to 3"



Repair Kit Components		Complete Repair Kits							
		1/2"	3/4"	1"	1-1/4"	1-1/2"	2"	2-1/2"	3"
Item #	Item Description	RK12-YBXL	RK34-YBXL	RK1-YBXL	RK114-YBXL	RK112-YBXL	RK2-YBXL	RK212-YBXL	RK3-YBXL
1	Screen (20 Mesh)	•	•	•	•	•	•	•	•
2	O-Ring, Cap	•	•	•	•	•	•	•	•

Whole Goods (Available for individual sale)									
Item #	Item Description	1/2"	3/4"	1"	1-1/4"	1-1/2"	2"	2-1/2"	3"
1	Screen (40 Mesh)	111-41-40	112-41-40	113-41-40	114-41-40	115-41-40	116-41-40	107-41-40	108-41-40
	Screen (60 Mesh)	111-41-60	112-41-60	113-41-60	114-41-60	115-41-60	116-41-60	107-41-60	108-41-60
	Screen (80 Mesh)	111-41-80	112-41-80	113-41-80	114-41-80	115-41-80	116-41-80	107-41-80	108-41-80
	Screen (100 Mesh)	111-41-100	112-41-100	113-41-100	114-41-100	115-41-100	116-41-100	107-41-100	108-41-100
3	Nipple	101-21B	102-21B	103-21B	104-21B	105-21B	106-21B	107-21B	108-21B
4	Cap	111-3XL	112-3XL	113-3XL	114-3XL	115-3XL	116-3XL	107-3XL-010F	108-3XL-010F
5	Plug	101-7B	558-7	5510-7				558-7	



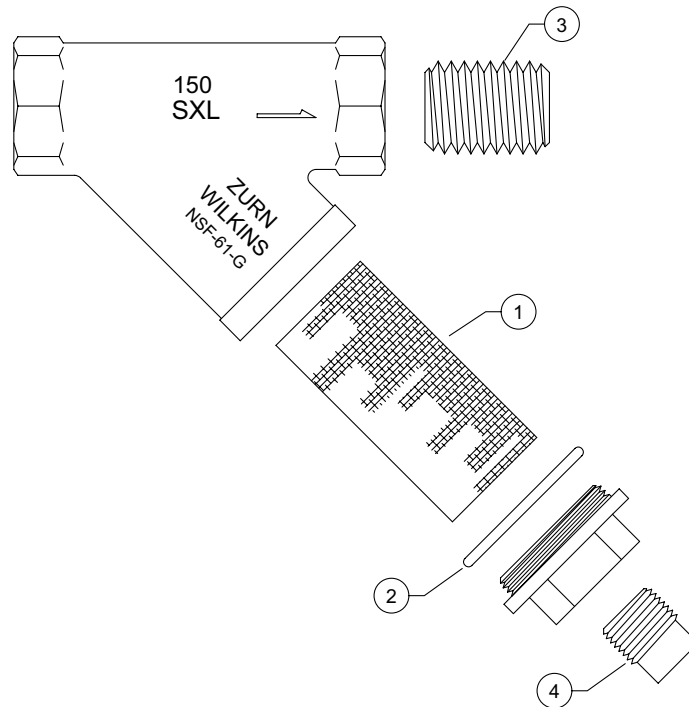
MODEL SXL

Cast Bronze Wye Type Strainer – 3/8" to 3"



Repair Kit Components		Complete Repair Kits								
		3/8"	1/2"	3/4"	1"	1-1/4"	1-1/2"	2"	2-1/2"	3"
Item #	Item Description	RK38-SXL	RK12-SXL	RK34-SXL	RK1-SXL	RK114-SXL	RK112-SXL	RK2-SXL	RK212-SXL	RK3-SXL
1	Screen (20 Mesh)	•	•	•	•	•	•	•	•	•
2	O-Ring, Cap	•	•	•	•	•	•	•	•	•

Whole Goods (Available for individual sale)									
Item #	Item Description	1/2"	3/4"	1"	1-1/4"	1-1/2"	2"	2-1/2"	3"
3	Nipple	101-21B	102-21B	103-21B	104-21B	105-21B	106-21B	107-21B	108-21B
4	Plug	101-7B			558-7				

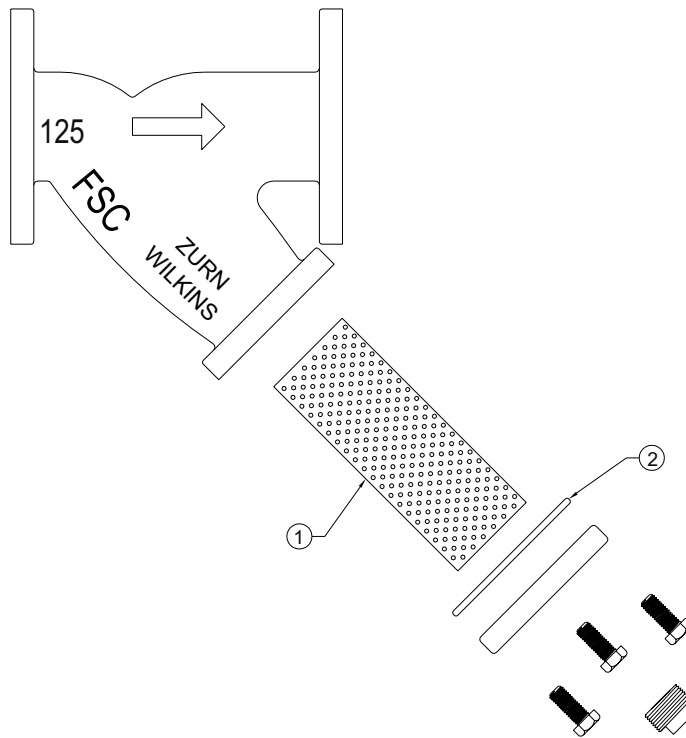


MODEL FSC

Ductile Iron Wye Type Strainer – 2-1/2" to 10"



Repair Kit Components		Complete Repair Kits					
		2-1/2"	3"	4"	6"	8"	10"
Item #	Item Description	RK212-FSC	RK3-FSC	RK4-FSC	RK6-FSC	RK8-FSC	RK10-FSC
1	Screen	●	●	●	●	●	●
2	Gasket	●	●	●	●	●	
	O-Ring, Cover			●	●	●	●

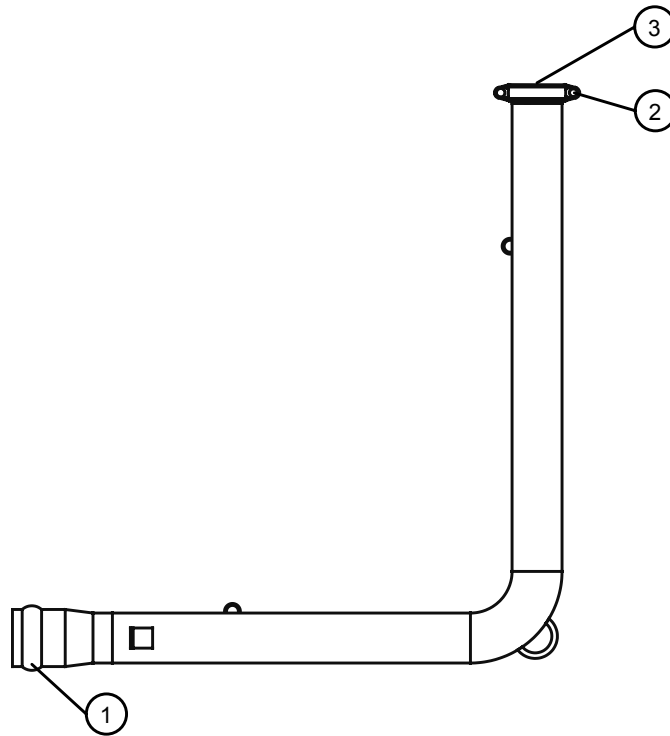


MODEL WBR

In Building Riser – 4" to 10"



Repair Kit Components		Complete Repair Kits			
		4"	6"	8"	10"
Item #	Item Description	RK4-WBR	RK6-WBR	RK8-WBR	RK10-WBR
1	Bell Gasket	•	•	•	•
2	Coupling (Grooved Only)	•	•	•	•
3	Test Cap (Grooved Only)	•	•	•	•



by **zurn** Water Solutions

ZURN WILKINS

1747 Commerce Way, Paso Robles, CA 93446, 855.663.9876

In Canada: **ZURN INDUSTRIES LIMITED**

7900 Goreway Drive, Unit 10, Brampton, Ontario L6T 5W6, 877.892.5216

Form No. 480-023, 1/22

US 1.855.ONE.ZURN CANADA 1.877.892.5216 ZURN.COM