

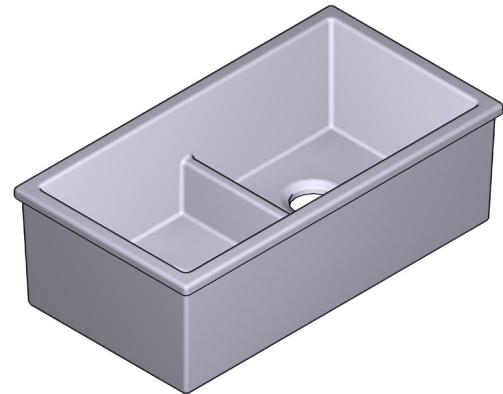
SPECIFICATIONS

DESCRIPTION

- Acid and alkali resistant glazed surfaces
- Designed to withstand heavy use
- Suitable for waste disposal units or basket strainer waste
- Standard 3-1/2" drain opening
- Due to ± 2% dimensions, it is recommended that the cabinet maker wait until your sink is delivered to make the cabinet
- No template available
- Includes "Shaws Classic" badge
- Weight 128lbs.
- 33" minimum cabinet size

WARRANTY

- 1 year on manufacturing defects
- 10 years on fading/staining



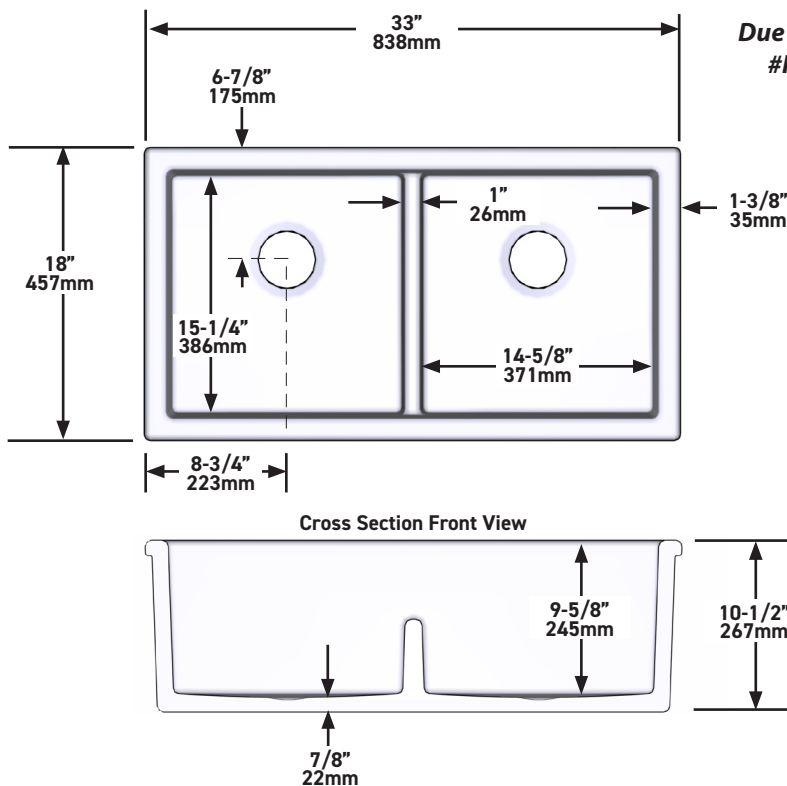
Classic Double Bowl Modern Undermount

Kitchen Sink Fireclay

MODELS: MSUM3318LD Series

NOTE:

Due to sink thickness, ISE-type Disposal with Extended Flange #ISE10082 or ROHL 733 Basket Strainer is recommended.



For warranty or additional information, contact:

US Customers

U.S.A.
houseofrohl.com/support
1-800-777-9762

QUEBEC / MARITIMES / WESTERN CANADA
QUÉBEC / MARITIMES / OUEST CANADIEN
QUEBEC / MARITIMOS / CANADA OCCIDENTAL
houseofrohl.ca/support
1-866-473-8442

Canadian Customers

ONTARIO
houseofrohl.ca/support
1-800-287-5354