

Location: _____



MI-CONTROL

WATER HEATER SHUTOFF THERMAL EXPANSION CONTROL VALVE

Specification: The BEECO MI-CONTROL is designed to be used where a water heater shut-off and thermal expansion relief valve are needed in combination to provide protection for your plumbing system against thermal expansion.

Function: Water heater shutoff/thermal expansion control valve is manufactured to control thermal expansion in a closed plumbing system and also for residential water heater applications where a water heater shut-off and thermal expansion relief valve are combined to provide protection from thermal expansion. The MI-CONTROL will provide thermal expansion relief at a pressure of 5 psi or more below the set pressure of the primary thermal expansion relief valve.

Features: Compact design with a quick quarter turn shut off valve. Made of brass body and a chrome plated ball for longer life the device is ASSE approved and IAPMO listed. Comes with four different discharge connections (1/2" NPT, 1/4" PEX, 3/8" PEX, 3/8" compression).

Ratings: The MI-CONTROL-LL Valve is made of a bronze body engineered to withstand incoming water pressure of up to 600 psi, and withstand temperatures up to 180°F (82° C).

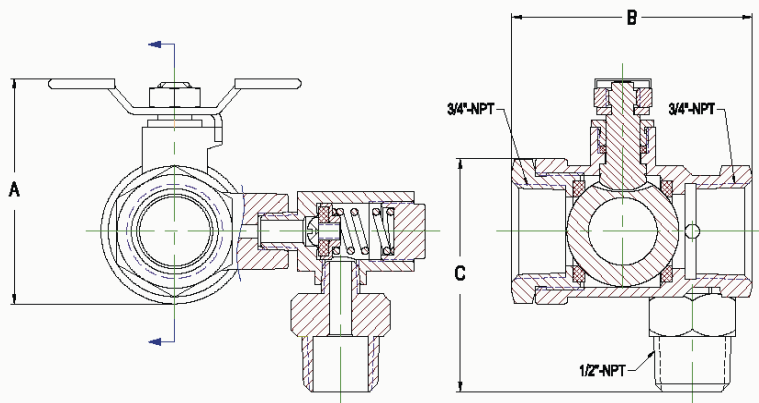
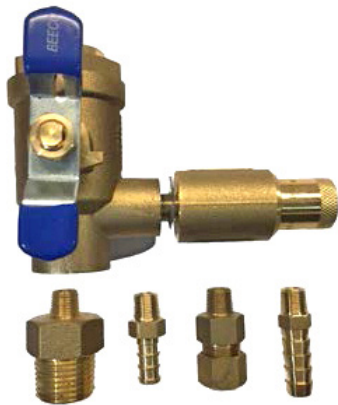
Pressure – Temperature Data:

Temperature Rating: 180 degrees F (82 Degrees C). Factory set at 145 psi with adjustable pressure setting from 80 psi to 150 psi

LEAD FREE

The wetted surface of this product contacted by consumable water contains less than 0.25% of lead by weight.

MI-CONTROL-NPT-LL



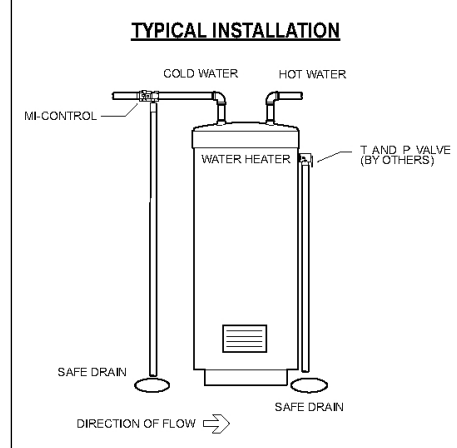
MODEL NUMBER	DESCRIPTION	MASTER CARTON QTY	MASTER CARTON WT.	DIMENSIONS		
				A	B	C
MI-CONTROL-UP-LL	3/4" UP X 3/4" UP	20	21 LBS.	2 1/2"	2.70"	3.40"
MI-CONTROL-NPT-LL	3/4" F.I.P. X 3/4" F.I.P.	20	25 LBS.	2 1/2"	2.70"	3.40"
MI-CONTROL-PEX-LL	3/4" PEX X 3/4" PEX	20	25 LBS.	2 1/2"	4.0"	3.40"
MI-CONTROL-SWT-LL	3/4" SWT X 3/4" SWT	20	25 LBS.	2 1/2"	3.0"	3.40"
MI-CONTROL-NPT-LL-C	3/4" F.I.P. X 3/4" F.I.P. with compression drain	20	25 LBS.	2 1/2"	2.70"	3.40"
MI-CONTROL-PEX-LL-B	3/4" PEX X 3/4" PEX with barb drain fitting	20	25 LBS.	2 1/2"	4.0"	3.40"
MI-CONTROL-SWT-B-LL	3/4" SWT X 3/4" SWT with barb drain fitting	20	25 LBS.	2 1/2"	3.0"	3.40"

COMPONENTS OF CONTROL VALVES:

Body: Cast Brass
 Cap: Road Brass
 Fitting: Rod Brass
 Seat Washer: Silicone Rubber
 Spring: Stainless Steel
 Screw: Brass
 Check: Road Brass

COMPONENTS OF BALL VALVES:

Body: Cast Bronze
 Lever: Steel
 Grip: Plastic
 Hex Nut: Carbon Steel
 Stem Bearing: RTFE
 Stem: Rod Brass
 Retainer: Rod Brass
 Ball: Rod Brass
 Stem Packing: RTFE
 Seat: RTFE
 Gland: Rod Brass



LEAD FREE



Approvals:
 Valve is tested, certified and listed to the I.A.P.M.O. I.G.C. 128-2006a

CALIFORNIA PROPOSITION 65 WARNING: This product contains chemicals known to the State of California to cause cancer and birth defects or other reproductive harm.

Job Name: _____ Page No: _____
 Section No: _____ Contractor: _____
 Schedule No: _____ Purchase Order No: _____