



INSTALLATION INSTRUCTIONS

30" (76.2 CM) ELECTRIC BUILT-IN
MICROWAVE/OVEN COMBINATION

INSTRUCTIONS D'INSTALLATION

ENSEMBLE FOUR À MICRO-ONDES ET FOUR
CONVENTIONNEL ÉLECTRIQUES ET ENCASTRÉS
DE 30" (76,2 CM)

Table of Contents/Table des matières

BUILT-IN MICROWAVE/OVEN COMBINATION SAFETY	2	SÉCURITÉ DU FOUR À MICRO-ONDES ET DU FOUR	
INSTALLATION REQUIREMENTS	2	CONVENTIONNEL COMBINÉS ET ENCASTRÉS	10
Tools and Parts.....	2	ENCASTRÉSEXIGENCES D'INSTALLATION	10
Built-In Microwave/Oven Combination Location Requirements.....	2	Outils et pièces.....	10
Electrical Requirements	3	Exigences d'emplacement de l'ensemble four à micro-ondes et four conventionnel encastrés	10
INSTALLATION INSTRUCTIONS	4	Spécifications électriques.....	11
Prepare Built-In Microwave/Oven Combination.....	4	INSTRUCTIONS D'INSTALLATION	12
Remove Oven Door(s).....	4	Préparation de l'ensemble four à micro-ondes et four conventionnel encastrés.....	12
Replace Oven Door(s).....	5	Dépose de la/des porte(s) du four	12
Make Electrical Connection	6	Réinstallation de la/des porte(s) du four	13
Install Oven.....	7	Raccordement électrique	14
Install Warming Drawer Deflector Kit (Only for Ovens Installed Above Warming Drawers).....	8	Installation du four.....	15
Complete Installation	9	Installation de l'ensemble de déflecteur pour tiroir-réchaud (uniquement pour les fours installés au-dessus d'un tiroir-réchaud).....	16
		Achever l'installation	17

IMPORTANT:

Save for local electrical inspector's use.

IMPORTANT:

À conserver pour consultation par l'inspecteur local des installations électriques.

BUILT-IN MICROWAVE/OVEN COMBINATION SAFETY

Your safety and the safety of others are very important.

We have provided many important safety messages in this manual and on your appliance. Always read and obey all safety messages.



This is the safety alert symbol.

This symbol alerts you to potential hazards that can kill or hurt you and others.

All safety messages will follow the safety alert symbol and either the word "DANGER" or "WARNING."

These words mean:

⚠ DANGER

You can be killed or seriously injured if you don't immediately follow instructions.

⚠ WARNING

You can be killed or seriously injured if you don't follow instructions.

All safety messages will tell you what the potential hazard is, tell you how to reduce the chance of injury, and tell you what can happen if the instructions are not followed.

INSTALLATION REQUIREMENTS

Tools and Parts

Gather the required tools and parts before starting installation. Read and follow the instructions provided with any tools listed here.

Tools Needed

- Phillips screwdriver
- Measuring tape
- Drill (for wall cabinet installations)
- 1" drill bit (for wall cabinet installations)
- Level
- Flat-blade screwdriver

Parts Needed

- UL listed or CSA approved conduit connector
 - UL listed wire connectors
 - Warming Drawer Deflector Kit (for ovens installed above a warming drawer)
 - White 27" (68.6 cm) kit
 - Black 27" (68.6 cm) kit
 - Stainless steel 27" (68.6 cm) kit
 - White 30" (76.2 cm) kit
 - Black 30" (76.2 cm) kit
 - Stainless steel 30" (76.2 cm) kit
 - Stainless steel/black 30" (76.2 cm) kit.
- To order, see the "Assistance or Service" section of the Use and Care Guide.

- Flush Installation Kit (for Combo installed at flush installation)
 - Black 27" (68.6 cm) kit
 - Stainless steel 27" (68.6 cm) kit
 - Black 30" (76.2 cm) kit
 - Stainless steel 30" (76.2 cm) kit
 - Black 30" (76.2 cm) kit
 - Stainless steel 30" (76.2 cm) kit
- To order, see the "Assistance or Service" section of the Use and Care Guide.

Parts Supplied

- #8-14 x 1" (2.54 cm) screws (4)
 - Bottom vent
 - #8-18 x 3/8" (9.5 mm) screws - bottom vent (2)
- Check local codes. Check existing electrical supply. See "Electrical Requirements."

It is recommended that all electrical connections be made by a licensed, qualified electrical installer.

Built-In Microwave/Oven Combination Location Requirements

IMPORTANT: Observe all governing codes and ordinances.

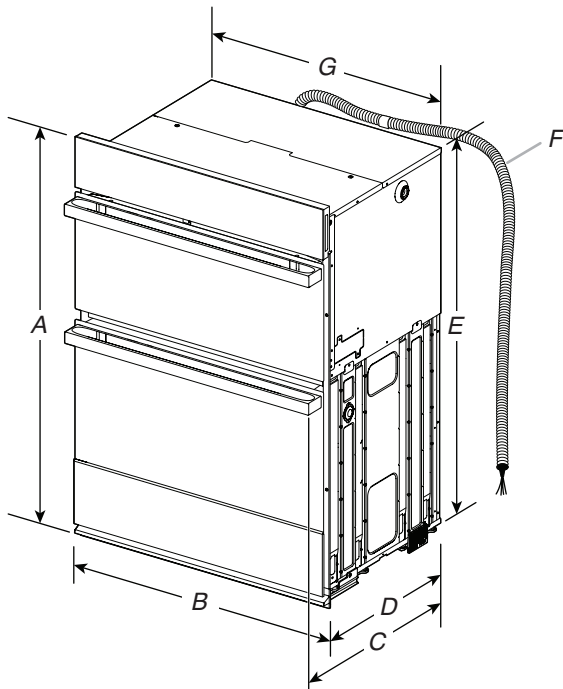
- Cabinet opening dimensions that are shown must be used. Given dimensions provide minimum clearance with oven.
- Recessed installation area must provide complete enclosure around the recessed portion of the oven.
- Grounded electrical supply is required. See "Electrical Requirements" section.
- Electrical supply junction box should be located 3" (7.6 cm) maximum below the support surface when the oven is installed in a wall cabinet. A 1" (2.5 cm) minimum diameter hole should have been drilled in the left rear corner of the support surface to pass the appliance cable through to the junction box.

- Oven support surface must be solid, level and flush with bottom of cabinet cutout. Floor must be able to support a total weight (microwave and built-in oven) of 286 lbs (130 kg).

IMPORTANT: To avoid damage to your cabinets, check with your builder or cabinet supplier to make sure that the materials used will not discolor, delaminate or sustain other damage. This oven has been designed in accordance with the requirements of UL and CSA International and complies with the maximum allowable wood cabinet temperatures of 194°F (90°C).

Product Dimensions

30" (76.2 cm) Ovens

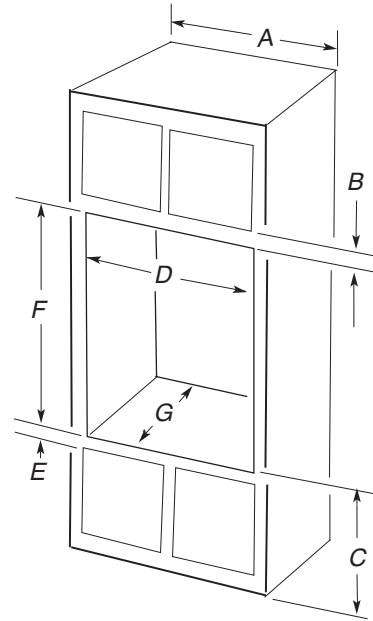


30" (76.2 cm) models

- A. 43³/₄" (111 cm) overall height
- B. 30" (76.2 cm) overall width
- C. JMW3430IM - 26³/₈" (67 cm)
JMW3430IL - 27³/₁₆" (69 cm)
- D. 23¹/₄" (59.1 cm) max. recessed depth
- E. 41" (104.1 cm) recessed height
- F. 48" (121.9 cm) flexible conduit length measured from the conduit clamp located at the rear of the oven. Do not remove the conduit clamp.
- G. 28⁷/₁₆" (72.2 cm) recessed width

Cabinet Dimensions

30" (76.2 cm) Ovens



30" (76.2 cm) models

- A. 30" (76.2 cm) min. cabinet width
- B. 2¹/₄" (5.7 cm) top of cutout to bottom of upper cabinet door
- C. 19¹/₄" (48.9 cm) bottom of cutout to floor is recommended.
4"-19¹/₄" (10.2-48.9 cm) bottom of cutout to floor is acceptable.
- D. 28¹/₂" (72.4 cm) cutout width
- E. 1¹/₂" (3.8 cm) min. bottom of cutout to top of cabinet door
- F. 4¹⁵/₁₆" (105 cm)* recommended cutout height
- G. 24" (60.7 cm) cutout depth

***NOTE:** The cutout height can be between 41" and 41¹/₂" (104.1 cm and 105.6 cm) for microwave/oven combination.

Electrical Requirements

If codes permit and a separate ground wire is used, it is recommended that a qualified electrical installer determine that the ground path and the wire gauge are in accordance with local codes.

Check with a qualified electrical installer if you are not sure the oven is properly grounded.

This oven must be connected to a grounded metal, permanent wiring system.

Be sure that the electrical connection and wire size are adequate and in conformance with the National Electrical Code, ANSI/NFPA 70-latest edition or CSA Standards C22.1-94, Canadian Electrical Code, Part 1 and C22.2 No. O-M91-latest edition, and all local codes and ordinances.

A copy of the above code standards can be obtained from:

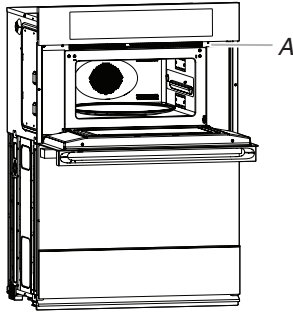
National Fire Protection Association
1 Batterymarch Park
Quincy, MA 02169-7471

CSA International
8501 East Pleasant Valley Road
Cleveland, OH 44131-5575

Electrical Connection

To properly install your oven, you must determine the type of electrical connection you will be using and follow the instructions provided for it here.

- Oven must be connected to the proper electrical voltage, amperage and frequency as specified on the model/serial/rating plate. See the following illustration.



A. Model/Serial/Rating Plate

- Models rated from 7.3 to 9.6 kW at 240 V (5.4 to 7.4 kW at 208 V) require a separate 40 A circuit.
- A circuit breaker is recommended.

- Connect directly to the fused disconnect (or circuit breaker box) through flexible, armored or nonmetallic sheathed, copper cable (with grounding wire). See “Make Electrical Connection” section.
- Flexible conduit from the oven should be connected directly to the junction box.
- Do not cut the conduit. The length of conduit provided is for serviceability of the oven.
- A UL listed or CSA approved conduit connector must be provided.
- If the house has aluminum wiring, follow the procedure below:
Connect the aluminum wiring using special connectors and/or tools designed and UL listed for joining copper to aluminum.
Follow the electrical connector manufacturer’s recommended procedure. Aluminum/copper connection must conform with local codes and industry-accepted wiring practices.

For power requirements, refer to the following table:

	240 VAC	208 VAC
Model	kW	kW
JMW3430I	8.2	6.6

INSTALLATION INSTRUCTIONS

Prepare Built-In Microwave/Oven Combination

1. Decide on the final location for the oven. Locate existing wiring to avoid drilling into or severing wiring during installation.

⚠ WARNING

Excessive Weight Hazard

**Use two or more people to move and install oven.
Failure to do so can result in back or other injury.**

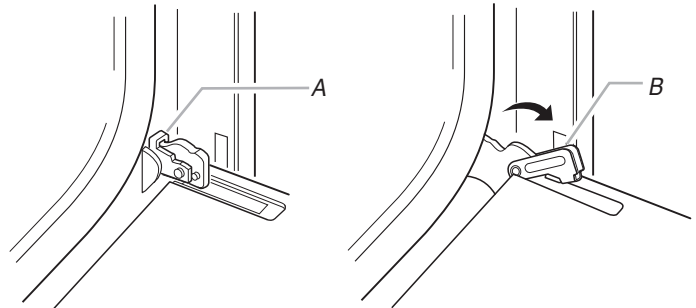
2. To avoid floor damage, set the oven onto cardboard prior to installation. Do not use handle or any portion of the front frame for lifting.
3. Remember to remove bottom vent from the foam packing on top of oven.
4. Remove the shipping materials and tape from the oven.
5. Remove the hardware package from inside the bag containing literature.
6. Remove and set aside racks and other parts from inside the oven.
7. Move oven and cardboard close to the oven’s final location.

Remove Oven Door(s)

IMPORTANT: Use two hands to remove oven door.

1. Prior to removing the oven door, prepare a surface where you will place it. This surface should be flat and covered with a soft blanket, or use the corner posts from your packaging material.

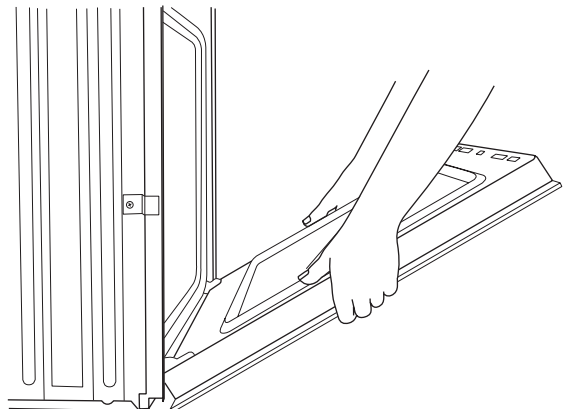
2. Open the oven door.
3. Locate the oven door hinge locks in both corners of the oven door, and then rotate the hinge locks toward the oven door to the unlocked position. If the door hinge lock is not rotated fully (see illustration B), the door will not remove properly.



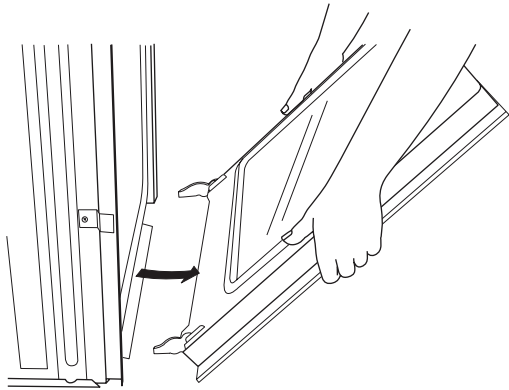
A. Oven door hinge lock in locked position

B. Oven door hinge lock in partially unlocked position

4. Partially close the door to engage the door latch locks. The door will stop at this point.



- Using two hands, grasp the edges of the oven door. Lift and pull the oven door toward you and remove. You may need to gently shift door from side to side as you pull.

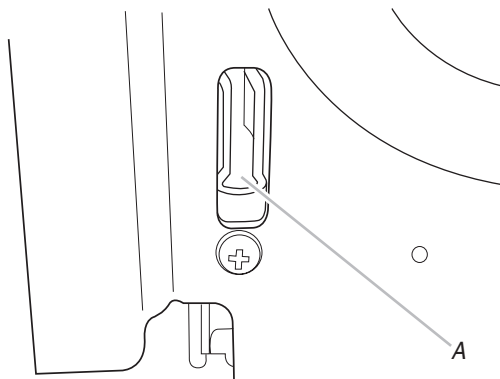


- Set the oven door(s) aside on the prepared covered work surface, with the oven door resting on its handle.
- To continue with the oven installation, go to the “Make Electrical Connection” section.

Replace Oven Door(s)

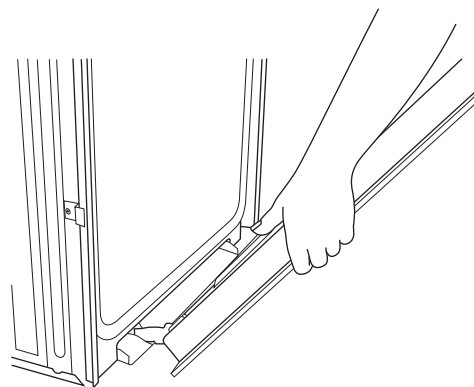
IMPORTANT: Do not replace the oven door(s) until after the oven has been installed into the cabinet.

- Using two hands, grasp side edges of door at the midpoint. Face the oven cavity.
- Locate the slots on each side of the oven cavity for the door hinge locks.



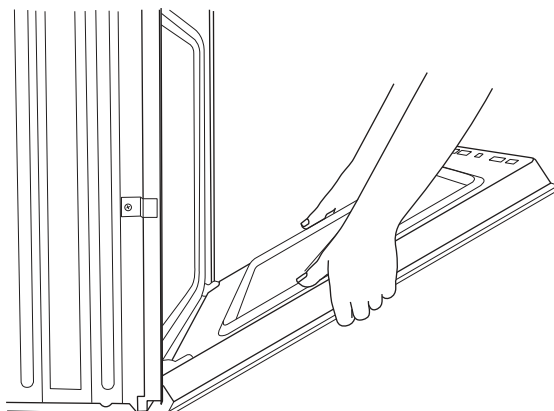
A. Slot in the oven cavity for door hinge lock

- At a 45° angle, align door hinges with slots in the lower front of the oven cavity. Slowly insert door, making sure you maintain the 45° angle. You will know the door is engaged in the slot when you feel a slight drop.



- Lower the oven door to the fully open position. If the oven door does not open to a full 90°, repeat steps 1 through 3.
- Locate the oven door hinge locks in the corners of the oven door, and rotate the hinge locks toward the oven cavity to the locked position.

See Step 3 (illustration A) in the “Remove Oven Door(s)” section for proper locked position.



- Close the oven door.
- When the hinges are properly installed and the door closed, there should be an even gap between the door and the control panel. If one side of the oven door is hanging lower than the other, the hinge on that side is not properly installed.

Make Electrical Connection

⚠ WARNING



Electrical Shock Hazard

Disconnect power before servicing.

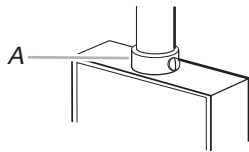
Use 8 gauge copper wire.

Electrically ground oven.

Failure to follow these instructions can result in death, fire, or electrical shock.

This oven is manufactured with a neutral (white) power supply wire and a cabinet-connected green (or bare) ground wire twisted together.

1. Disconnect power.
2. Feed the flexible conduit from the oven through the opening in the cabinet.
3. Remove junction box cover if it is present.
4. Install a UL listed or CSA approved conduit connector to the junction box.

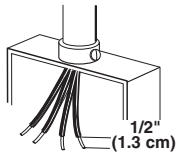


A. UL listed or CSA approved conduit connector

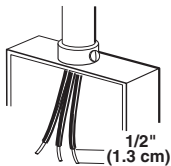
5. Route the flexible conduit from the oven to the junction box through a UL listed or CSA approved conduit connector.
6. Tighten screws on conduit connector.
7. See "Electrical Connection Options Chart" to complete installation for your type of electrical connection.

Electrical Connection Options Chart

If your home has:	Go to section:
4-wire	4-Wire Cable from Home Power Supply

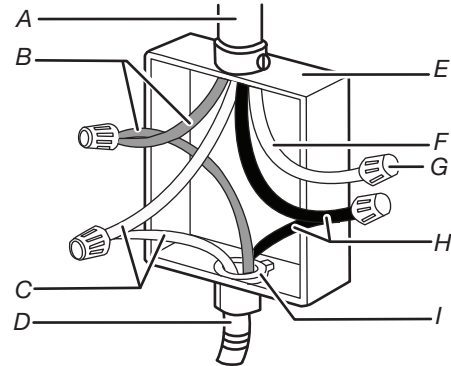


3-wire	3-Wire Cable from Home Power Supply
--------	-------------------------------------



4-Wire Cable from Home Power Supply

IMPORTANT: Use the 4-wire cable from home power supply in the U.S. where local codes do not allow grounding through neutral, New Branch circuit installations (1996 NEC), mobile homes and recreational vehicles, new construction, and in Canada.

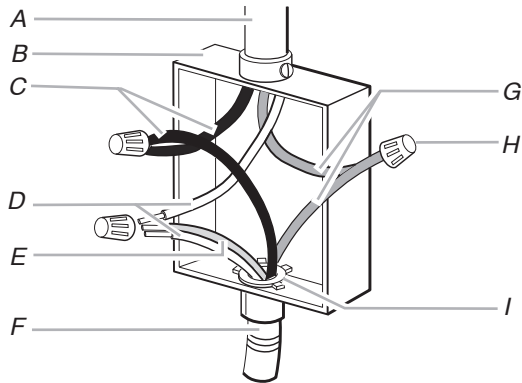


- | | |
|--------------------------------------|--|
| A. Cable from home power supply | F. White wires |
| B. Black wires | G. UL listed wire connectors |
| C. Red wires | H. Green (or bare) ground wires |
| D. 4-wire flexible conduit from oven | I. UL listed or CSA approved conduit connector |
| E. Junction box | |

1. Connect the 2 black wires (B) together using a UL listed wire connector.
2. Connect the 2 red wires (C) together using a UL listed wire connector.
3. Untwist white wire from green (or bare) ground wire coming from the oven.
4. Connect the 2 white wires (F) together using a UL listed wire connector.
5. Connect the green (or bare) ground wire (H) from the oven cable to the green (or bare) ground wire (in the junction box) using a UL listed wire connector.
6. Install junction box cover.

3-Wire Cable from Home Power Supply - U.S. Only

IMPORTANT: Use the 3-wire cable from home power supply where local codes permit a 3-wire connection.



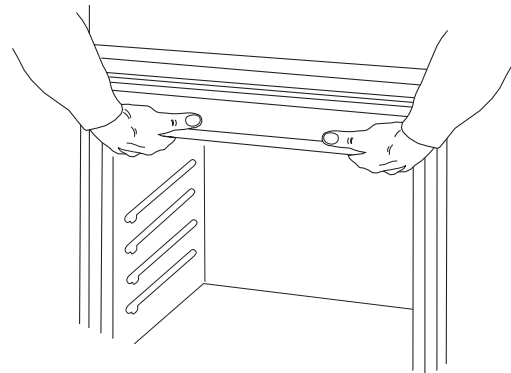
- | | |
|--|--|
| A. Cable from home power supply | F. 4-wire flexible conduit from oven |
| B. Junction box | G. Red wires |
| C. Black wires | H. UL listed wire connectors |
| D. White wires | I. UL listed or CSA approved conduit connector |
| E. Green (or bare) ground wire (from oven) | |

1. Connect the 2 black wires (B) together using a UL listed wire connector.
2. Connect the 2 white wires (D) and the green (or bare) ground wire (of the oven cable) using a UL listed wire connector.
3. Connect the 2 red wires (G) together using a UL listed wire connector.
4. Install junction box cover.

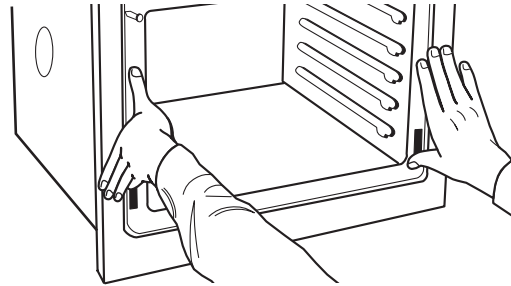
Install Oven

1. Using 2 or more people, lift the oven partially into the cabinet cutout. Use the oven opening as an area to grip.

NOTE: Push against seal area of the oven front frame when pushing the oven into the cabinet. Do not push against the outside edges.

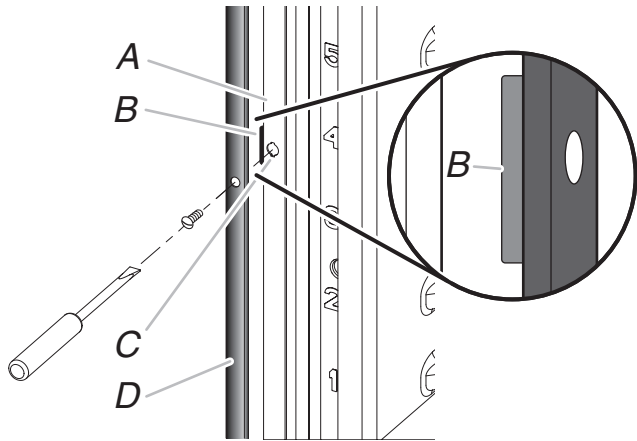


2. Push against the seal area of the front frame to push the oven into the cabinet until the back surface of the front frame touches the front wall of the cabinet.



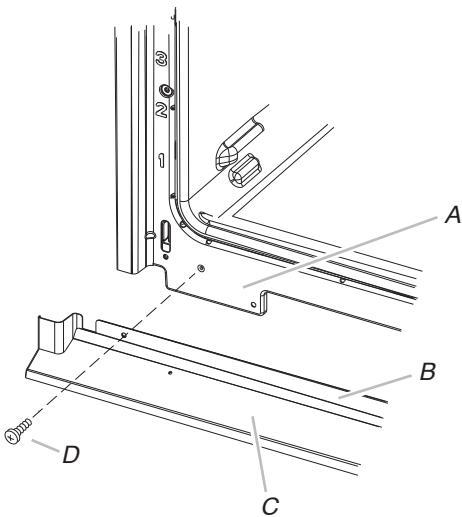
3. Push oven completely into the cabinet, and center the oven into the cabinet cutout.

4. Remove the tape from the black front trims and remove the zip tie from the mounting spacer.
 - Securely fasten the oven to the cabinet using the #8-14 x 1" (2.5 cm) screws provided.
 - Insert screws through the holes in the black trim aligning with the holes in the oven frame and mounting spacers already in place. Do not overtighten screws.



A. Oven frame
B. Mounting spacer
C. Oven frame hole
D. Black trim piece

5. The bottom vent is shipped in the foam packing at the top of the oven. Install the bottom vent (C) as follows:
 - Align vent tab (B) with oven frame (A) as shown.
 - Using one #8-18 x 3/8" (9.5 mm) screw (D) on each side of the vent tab (B), fasten the vent securely to the oven.



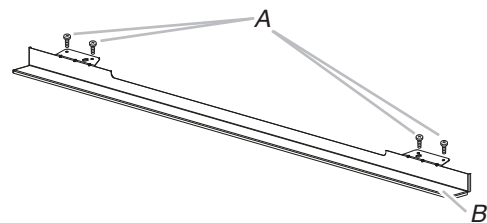
A. Oven frame
B. Vent tab
C. Oven vent
D. #8-18 x 3/8" (9.5 mm) screws

6. Replace oven racks.
7. Replace the oven door. See the "Replace Oven Door(s)" section.
8. Check that door is free to open and close. If it is not, repeat the removal and installation procedures. See "Prepare Built-In Microwave/Oven Combination" section.
9. Reconnect power.
10. The display panel will light briefly, and "PF" should appear in the display.
11. If the display panel does not light, please reference the "Warranty."

Install Warming Drawer Deflector Kit (Only for Ovens Installed Above Warming Drawers)

On combo microwave/oven models installed above a warming drawer, a warming drawer deflector kit must be installed. See the "Tools and Parts" section for ordering information.

Parts Supplied

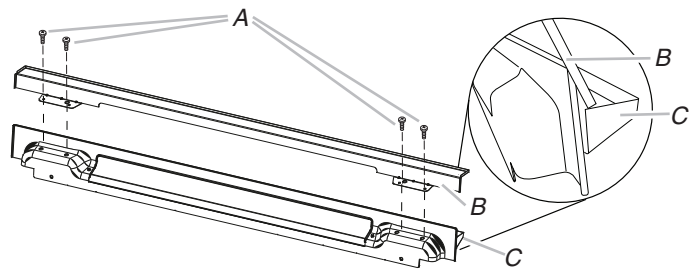


A. Phillips head screws (4)
only 2 screws for 27" (68.6 cm) size
B. Warming drawer deflector (1)

Install Deflector Kit

1. Align the deflector (B) with the vent (C) as shown.
2. Using two #8-18 x 1/4" (6.4 mm) screws (A) on each side of the deflector (B), fasten the deflector securely to the vent.

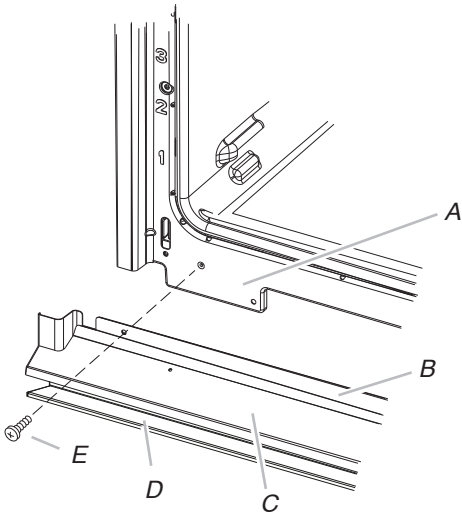
NOTE: On 27" (68.6 cm) models, only one #8-18 x 1/4" (6.4 mm) screw is used on each side.



A. #8-18 x 1/4" (6.4 mm) screws
B. Warming drawer deflector
C. Vent

3. Align vent tab (B) with oven frame (A) as shown.

- Using one #8-18 x 3/8" (9.5 mm) screw (E) on each side of the vent tab (B), fasten the vent securely to the oven.



A. Oven frame
 B. Vent tab
 C. Oven vent
 D. Warming drawer deflector
 E. #8-18 x 3/8" (9.5 mm) screw

Check Operation of Microwave Oven:

- Fill a microwave-safe container with 1 cup (250 mL) of water and place container inside microwave oven. Close door firmly.
- Press COOK and set microwave oven cook time to "2:00" minutes.
- Press START. The interior microwave oven light should be on, and the remaining cooking time should be displayed. When display reads "1:00" minute, open microwave oven door. The microwave should stop cooking. Close door firmly. The interior microwave oven light should turn off.
- Press START. Microwave oven should begin cooking, and the microwave oven interior light should be on. Let microwave oven complete cooking time. A tone will sound 4 times at the end of the cooking time, and the microwave oven will shut off.
- Open microwave oven door and slowly remove container. Water in container should be hot.

If You Need Assistance or Service:

Please reference the "Warranty."

Complete Installation

- Check that all parts are now installed. If there is an extra part, go back through the steps to see which step was skipped.
- Check that you have all of your tools.
- Dispose of/recycle all packaging materials.
- For oven use and cleaning, read the Use and Care Guide.

Check Operation of Lower Oven:

- Turn on power.
- At first use, set up the clock and any other preferences, if available. For more information, read the Use and Care Guide.
- Press BROIL.
- Set the temperature.
- Press START.

If Oven Does Not Operate, Check the Following:

- Household fuse is intact and tight, or circuit breaker has not tripped.
 - Electrical supply is connected.
 - See "Troubleshooting" section in the Use and Care Guide.
- When oven has been on for 5 minutes, feel for heat. If you do not feel heat or if an error message appears in the display, turn off the oven and contact a qualified technician.
 - Press CANCEL OVEN.

SÉCURITÉ DU FOUR À MICRO-ONDES ET DU FOUR CONVENTIONNEL COMBINÉS ET ENCASTRÉS

Votre sécurité et celle des autres est très importante.

Nous donnons de nombreux messages de sécurité importants dans ce manuel et sur votre appareil ménager. Assurez-vous de toujours lire tous les messages de sécurité et de vous y conformer.



Voici le symbole d'alerte de sécurité.

Ce symbole d'alerte de sécurité vous signale les dangers potentiels de décès et de blessures graves à vous et à d'autres.

Tous les messages de sécurité suivront le symbole d'alerte de sécurité et le mot "DANGER" ou "AVERTISSEMENT". Ces mots signifient :

! DANGER

Risque possible de décès ou de blessure grave si vous ne suivez pas immédiatement les instructions.

! AVERTISSEMENT

Risque possible de décès ou de blessure grave si vous ne suivez pas les instructions.

Tous les messages de sécurité vous diront quel est le danger potentiel et vous disent comment réduire le risque de blessure et ce qui peut se produire en cas de non-respect des instructions.

ENCASTRÉSEXIGENCES D'INSTALLATION

Outils et pièces

Rassembler les outils et pièces nécessaires avant d'entreprendre l'installation. Lire et observer les instructions fournies avec chacun des outils de la liste ci-dessous.

Outils nécessaires

- Tournevis Phillips
- Mètre ruban
- Perceuse (pour l'installation dans un placard mural)
- Foret de 1" (pour installation dans un placard mural)
- Niveau
- Tournevis à lame plate

Pièces nécessaires

- Connecteur de conduit (homologation UL ou CSA)
 - Connecteurs de fils (homologation UL)
 - Ensemble de déflecteur pour tiroir-réchaud (pour les fours installés par-dessus un tiroir-réchaud)
 - Ensemble blanc de 27" (68,6 cm)
 - Ensemble noir de 27" (68,6 cm)
 - Ensemble en acier inoxydable de 27" (68,6 cm)
 - Ensemble blanc de 30" (76,2 cm)
 - Ensemble noir de 30" (76,2 cm)
 - Ensemble en acier inoxydable de 30" (76,2 cm)
 - Ensemble en acier inoxydable/noir de 30" (76,2 cm)
- Pour commander, voir la section "Assistance ou service" du Guide d'utilisation et d'entretien.

- Ensemble d'installation en affleurement (pour four combiné installé en affleurement)
 - Ensemble noir de 27" (68,6 cm)
 - Ensemble en acier inoxydable de 27" (68,6 cm)
 - Ensemble noir de 30" (76,2 cm)
 - Ensemble en acier inoxydable de 30" (76,2 cm)
 - Ensemble noir de 30" (76,2 cm)
 - Ensemble en acier inoxydable de 30" (76,2 cm)
- Pour commander, voir la section "Assistance ou service" du Guide d'utilisation et d'entretien.

Pièces fournies

- Vis n° 8-14 x 1" (2,5 cm) (4)
- Évén inférieur
- Vis n° 8-18 x 3/8" (9,5 mm) – Évén inférieur (2)

Consulter les codes locaux. Vérifier l'alimentation électrique existante. Voir "Spécifications électriques".

Il est recommandé de faire réaliser tous les raccordements électriques par un électricien qualifié agréé.

Exigences d'emplacement de l'ensemble four à micro-ondes et four conventionnel encastrés

IMPORTANT: Observer les dispositions de tous les codes et règlements en vigueur.

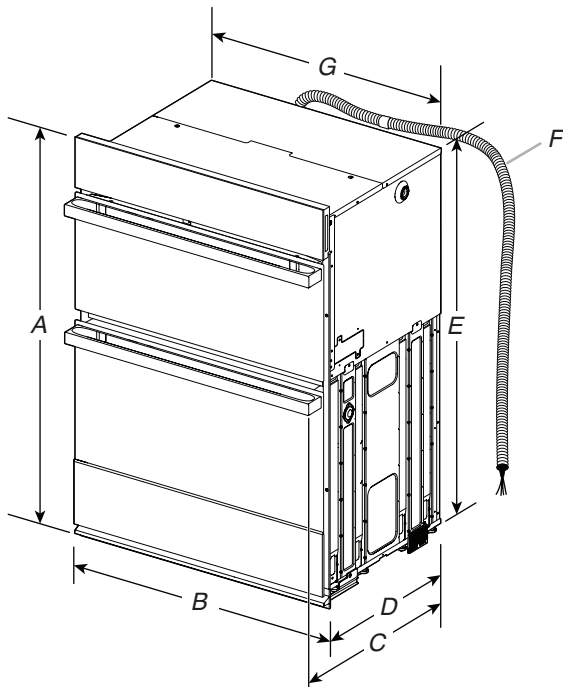
- Respecter les dimensions indiquées pour la cavité d'installation entre les placards. Ces dimensions prennent en compte les dégagements de séparation minimaux nécessaires.

- L'espace d'installation doit permettre la formation d'une enceinte complète autour de la partie encastrée du four.
- Une source d'électricité avec liaison à la terre est nécessaire. Voir la section "Spécifications électriques".
- Le boîtier de raccordement doit être situé au maximum à 3" (7,6 cm) au-dessous de la surface de support lorsque le four est installé dans un placard mural. Un trou de diamètre 1" (2,5 cm) ou plus doit avoir été percé dans l'angle arrière gauche de la surface de support pour le passage du câble d'alimentation de l'appareil jusqu'au boîtier de connexion.
- La surface de support du four doit être robuste, d'aplomb et en affleurement avec le bas de la cavité d'encastrement du placard. Le plancher doit être capable de supporter un poids total (four à micro-ondes et four encastré) de 286 lbs (130 kg).

IMPORTANT: Afin d'éviter tout dommage aux placards, consulter le constructeur de la maison ou le fabricant des placards afin de déterminer si les matériaux utilisés pourraient subir un changement de couleur, une déstratification ou d'autres dommages. Ce four a été conçu conformément aux exigences des normes UL et CSA International et respecte les températures maximales autorisées de 194°F (90°C) pour les placards en bois.

Dimensions du produit

Fours de 27" et 30" (68,6 cm et 76,2 cm)

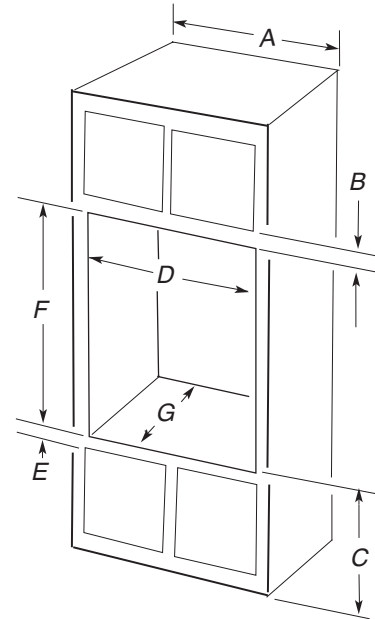


Modèles de 30" (76,2 cm)

- A. Hauteur totale : 43³/₄" (111 cm)
- B. Largeur totale : 30" (76,2 cm)
- C. JMW2430IM – 26³/₈" (67 cm)
JMW2430IL – 27³/₁₆" (69 cm)
- D. Profondeur de l'encastrement : 23¹/₄" (59,1 cm)
- E. Hauteur de l'encastrement : 41" (104,1 cm)
- F. Longueur de conduit flexible mesuré depuis la bride de conduit située à l'arrière du four : 48" (121,9 cm). Ne pas retirer la bride de conduit.
- G. Largeur de l'encastrement : 28⁷/₁₆" (72,2 cm) max.

Dimensions du placard

Fours de 27" et 30" (68,6 cm et 76,2 cm)



Modèles de 30" (76,2 cm)

- A. Largeur du placard 30" (76,2 cm) min.
- B. 2¹/₄" (5,7 cm) entre le sommet de l'ouverture et le bas de la porte du placard supérieur
- C. Une hauteur de 19¹/₄" (48,9 cm) entre le bas de l'ouverture et le plancher est recommandée. Une hauteur de 4" (10,2 cm) à 19¹/₄" (48,9 cm) entre le bas de l'ouverture et le plancher est acceptable.
- D. Largeur de l'ouverture 28¹/₂" (72,4 cm)
- E. 1¹/₂" (3,8 cm) min. entre le bas de l'ouverture et le haut de la porte du placard
- F. Hauteur de l'ouverture recommandée 41⁵/₁₆" (105 cm)*
- G. Profondeur de l'ouverture 24" (60,7 cm)

REMARQUE: Pour l'ensemble four à micro-ondes/four traditionnel, la hauteur de l'ouverture peut être comprise entre 41" et 41¹/₂" (104,1 cm et 105,6 cm).

Spécifications électriques

Si on utilise un conducteur distinct de liaison à la terre lorsque les codes le permettent, il est recommandé qu'un électricien qualifié vérifie que la liaison à la terre et le calibre des fils sont conformes aux codes locaux.

En cas de doute quant à la qualité de la liaison à la terre du four, consulter un électricien qualifié.

Ce four doit être raccordé à un système permanent, métallique de câblage relié à la terre.

S'assurer que la connexion électrique et le calibre des fils sont appropriés et conformes au National Electrical Code, aux normes ANSI/NFPA 70 – dernière édition, ou aux normes CSA C22.1-94, au Code canadien de l'électricité, Partie 1 et C22.2 N° O-M91 – dernière édition, et à tous les codes et règlements locaux.

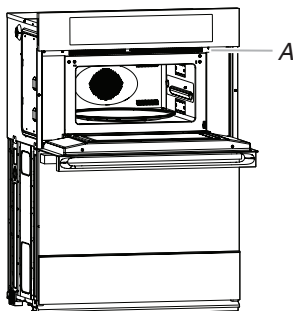
Pour obtenir un exemplaire de la norme des codes ci-dessus, contacter :

National Fire Protection Association
1 Batterymarch Park
Quincy, MA 02169-7471
CSA International
8501 East Pleasant Valley Road
Cleveland, OH 44131-5575

Raccordement électrique

Pour installer le four correctement, il faut établir le type de raccords électriques que l'on utilisera et suivre les instructions indiquées ici.

- Le four doit être alimenté par une source d'électricité appropriée (caractéristiques de tension et fréquence spécifiées sur la plaque signalétique). Voir l'illustration ci-dessous.



A. Plaque signalétique

- Un modèle de 7,3 à 9,6 kW/240 volts (5,4 à 7,4 kW/208 volts) doit être alimenté par un circuit indépendant de 40 A.
- On recommande d'utiliser un disjoncteur.
- Raccorder l'appareil directement au tableau de distribution (fusible ou disjoncteur) par un câble à conducteur de cuivre à gaine flexible et blindage métallique ou à gaine non métallique (avec conducteur de liaison à la terre). Voir la section "Raccordement électrique".

- Le câble flexible du four doit être connecté directement au boîtier de connexion.
- Ne pas couper le conduit. La longueur du conduit fournie est destinée à faciliter l'entretien du four.
- L'installateur doit fournir un connecteur de conduit (homologation UL ou CSA).
- Si le domicile est équipé d'un câblage en aluminium, suivre les instructions suivantes :

Connecter le câblage en aluminium en utilisant des connecteurs ou des outils spécialement conçus et homologués UL pour raccorder le cuivre à l'aluminium.

Appliquer la procédure recommandée par le fabricant des connecteurs. La connexion aluminium/cuivre doit être conforme aux codes locaux et aux pratiques de câblage acceptées par l'industrie.

Pour les conditions d'alimentation électrique, se reporter au tableau suivant :

	240 VAC	208 VAC
Model	kW	kW
JMW3430I	8.2	6.6

* Les valeurs d'intensité ci-dessus sont fournies à titre indicatif seulement : les appareils sont caractérisés en watts.

INSTRUCTIONS D'INSTALLATION

Préparation de l'ensemble four à microondes et four conventionnel encastrés

1. Choisir l'emplacement final pour l'installation du four. Repérer le câblage existant pour éviter de le percer ou de l'endommager lors de l'installation.

AVERTISSEMENT

Risque du poids excessif

Utiliser deux ou plus de personnes pour déplacer et installer le four.

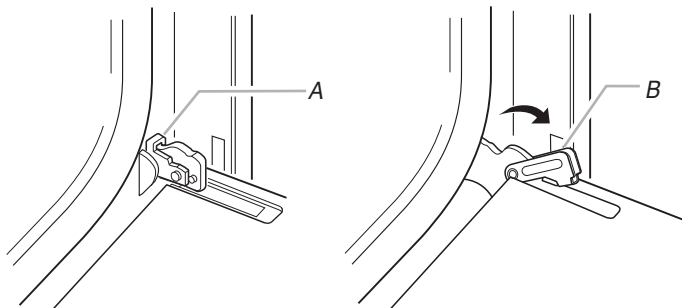
Le non-respect de cette instruction peut causer une blessure au dos ou d'autre blessure.

2. Pour éviter d'endommager le plancher, placer le four sur une feuille de carton avant l'installation. Lors des opérations de levage, ne pas prendre prise sur la poignée ou sur une autre partie du châssis avant.
3. Ne pas oublier de retirer l'évent inférieur de l'emballage en mousse du dessus du four.
4. Enlever les matériaux d'emballage et le ruban adhésif du four.
5. Enlever le matériel à l'intérieur du sachet de documentation.
6. Enlever et conserver à part les grilles et autres composants qu'on trouve à l'intérieur du four.
7. Approcher le four et le carton de l'emplacement final du four.

Dépose de la/des porte(s) du four

IMPORTANT : Retirer la porte du four avec les deux mains.

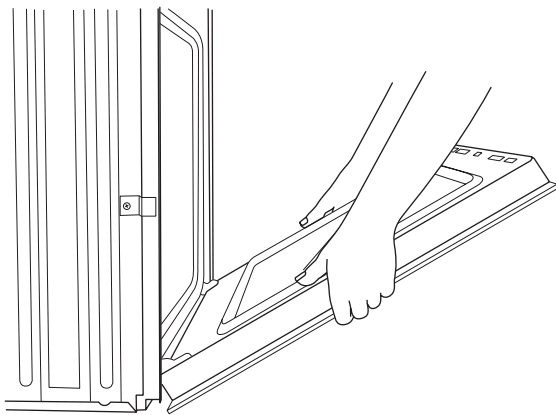
1. Avant de retirer la porte du four, préparer une surface sur laquelle on pourra la poser. Cette surface doit être plane et recouverte d'une couverture douce. On peut aussi utiliser les cornières de l'emballage.
2. Ouvrir la porte du four.
3. Identifier les loquets de charnière de la porte du four dans les deux angles de la porte; faire pivoter les loquets de charnière vers la porte du four jusqu'à la position de déverrouillage. Si le loquet de charnière de porte n'est pas complètement tourné (voir illustration B), la porte ne se retirera pas correctement..



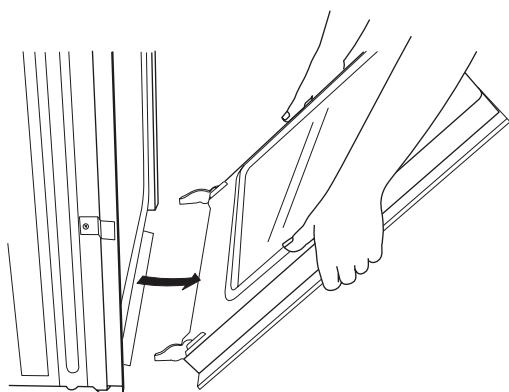
A. Loquet de charnière de la porte du four en position de verrouillage

B. Loquet de charnière de la porte du four en position de déverrouillage

4. Fermer partiellement la porte pour engager les loquets de la gâche de porte. La porte restera bloquée à cette position.



5. Saisir les bords de la porte du four avec les deux mains. Soulever et tirer la porte du four vers soi et enlever la porte. Vous devrez peut-être basculer doucement la porte d'un côté et de l'autre en la tirant.

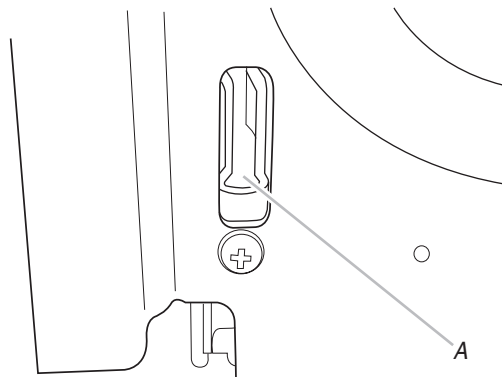


6. Conserver la/les porte(s) du four à part sur la surface de travail couverte en faisant reposer la porte sur sa poignée.
7. Pour continuer l'installation du four, aller à la section "Raccordement électrique".

Réinstallation de la/des porte(s) du four

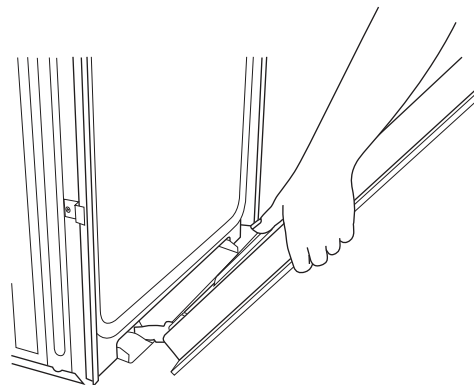
IMPORTANT : Ne pas remettre en place la(les) porte(s) du four avant que le four n'ait été installé dans le placard.

1. Saisir les bords latéraux de la porte par le milieu avec les deux mains. Se placer face à la cavité du four.
2. Repérer les encoches situées de chaque côté de la cavité du four pour les loquets de charnière de la porte.

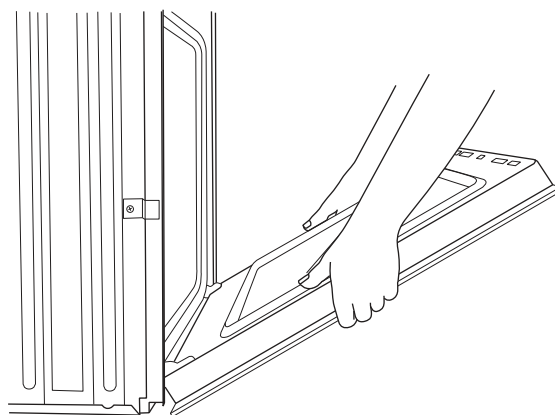


A. Encoche située dans la cavité du four pour le loquet de charnière de la porte

3. Aligner les charnières de porte dans les encoches situées en bas/à l'avant de la cavité du four à un angle de 45°. Insérer doucement la porte tout en veillant à garder un angle de 45°. Lorsque l'on sent un léger abaissement de la porte, cela signifie qu'elle est bien positionnée dans l'encoche.



4. Abaisser la porte du four jusqu'à ce qu'elle soit complètement ouverte. Si la porte du four ne s'ouvre pas complètement à un angle de 90°, répéter les étapes 1 à 3.
5. Identifier les loquets de charnière de la porte du four dans les angles de la porte; faire pivoter les loquets de charnière vers la cavité du four jusqu'à la position de verrouillage. Voir l'étape 3 (illustration A) dans la section "Dépose de la/des porte(s) du four" pour une position de verrouillage correcte.



6. Fermer la porte du four.
7. Une fois les charnières correctement installées et la porte fermée, il doit y avoir un espace égal entre la porte et le tableau de commande. Si l'un des côtés de la porte du four est plus bas que l'autre, la charnière de ce côté-ci n'est pas correctement installée.

Raccordement électrique

⚠ AVERTISSEMENT



Risque de choc électrique

Déconnecter la source de courant électrique avant l'entretien.

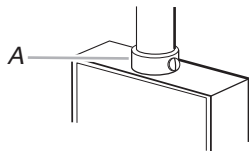
Utiliser du fil en cuivre de calibre 8.

Relier le four à la terre.

Le non-respect de ces instructions peut causer un décès, un incendie ou un choc électrique.

Le câblage d'alimentation de ce four comporte un conducteur neutre (blanc) et un conducteur vert (ou nu) de liaison à la terre connecté à la caisse; ces deux conducteurs sont torsadés.

1. Déconnecter la source de courant électrique.
2. Faire passer le conduit de câble flexible depuis le four à travers l'ouverture dans le placard.
3. Le cas échéant, enlever le couvercle du boîtier de connexion.
4. Installer un connecteur de conduit (homologation UL ou CSA) sur le boîtier de connexion.



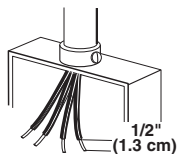
A. Connecteur de conduit (homologation UL ou CSA)

5. Acheminer le conduit de câble flexible depuis le four jusqu'au boîtier de connexion – utiliser un connecteur de conduit (homologation UL ou CSA).
6. Serrer les vis sur le connecteur de conduit.
7. Voir "Tableau des options de raccordement électrique" pour terminer l'installation correspondant à votre type de raccordement électrique.

Tableau des options de raccordement électrique

Câblage de la maison:

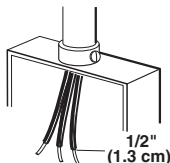
4-conducteurs



Voir la section:

Câble à 4 conducteurs depuis le point de distribution du domicile

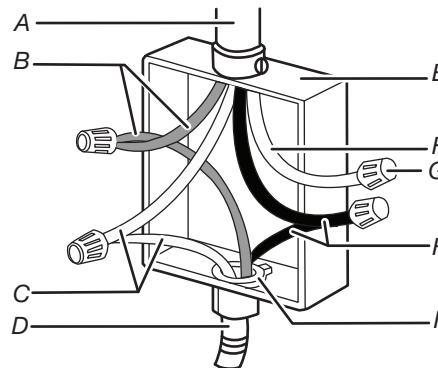
3-conducteurs



Câble à 3 conducteurs depuis le point de distribution du domicile

Câble à 4 conducteurs depuis le point de distribution du domicile

IMPORTANT : Utiliser le câble à 4 conducteurs provenant du point de distribution du domicile aux États-Unis lorsque les codes locaux ne permettent pas la mise à la terre par l'intermédiaire du conducteur neutre, en cas de nouvelle installation avec alimentation par un circuit secondaire (1996 NEC), dans les résidences mobiles et les véhicules récréatifs, dans les nouvelles constructions, et au Canada.

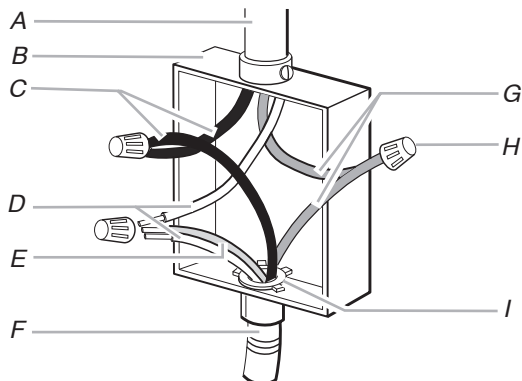


- | | |
|--|---|
| A. Câble depuis le point de distribution du domicile | F. Conducteurs blancs |
| B. Conducteurs noirs | G. Connecteurs de fils (homologation UL) |
| C. Conducteurs rouges | H. Conducteurs verts (ou nus) de liaison à la terre |
| D. Câble flexible à 4 conducteurs depuis le four | I. Connecteur de conduit (homologation UL ou CSA) |
| E. Boîtier de connexion | |

1. Connecter ensemble les 2 conducteurs noirs (B) avec un connecteur de fils (homologation UL).
2. Connecter ensemble les 2 conducteurs rouges (C) avec un connecteur de fils (homologation UL).
3. Détorsader le conducteur blanc du conducteur vert (ou nu) de liaison à la terre provenant du four.
4. Connecter ensemble les 2 conducteurs blancs (F) avec un connecteur de fils (homologation UL).
5. Connecter le conducteur vert (ou nu) de liaison à la terre (H) du câble du four au conducteur vert (ou nu) de liaison à la terre dans le boîtier de connexion – utiliser un connecteur de fils (homologation UL).
6. Installer le couvercle du boîtier de connexion.

Câble à 3 conducteurs depuis le point de distribution du domicile – É.-U. seulement

IMPORTANT : Utiliser le câble à 3 conducteurs depuis le point de distribution du domicile lorsque les codes locaux autorisent un tel raccordement.



A. Câble depuis le point de distribution du domicile

B. Boîtier de connexion

C. Conducteurs noirs

D. Conducteurs blancs

E. Conducteur vert (ou nu)

de liaison à la terre (depuis le four)

F. Câble flexible à 4 conducteurs depuis le four

G. Conducteurs rouges

H. Connecteurs de fils (homologation UL)

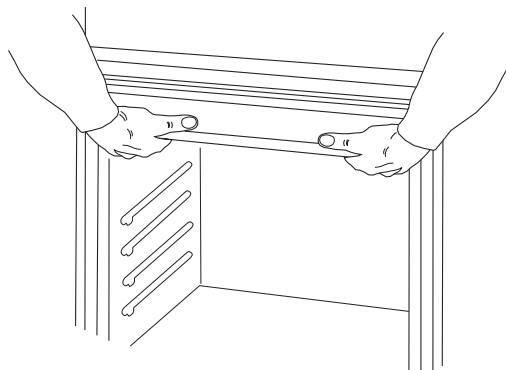
I. Connecteur de conduit (homologation UL ou CSA)

1. Connecter ensemble les 2 conducteurs noirs (C) avec un connecteur de fils (homologation UL).
2. Connecter les 2 conducteurs blancs (D) et le conducteur vert (ou nu) de liaison à la terre (du câble du four) avec un connecteur de fils (homologation UL).
3. Connecter ensemble les 2 conducteurs rouges (G) avec un connecteur de fils (homologation UL).
4. Installer le couvercle du boîtier de connexion.

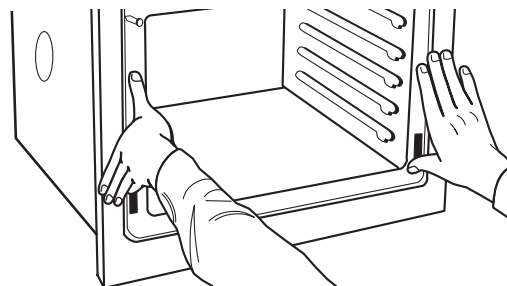
Installation du four

1. À 2 personnes ou plus, soulever et introduire partiellement le four dans l'ouverture du placard. Utiliser l'ouverture du four comme zone de prise..

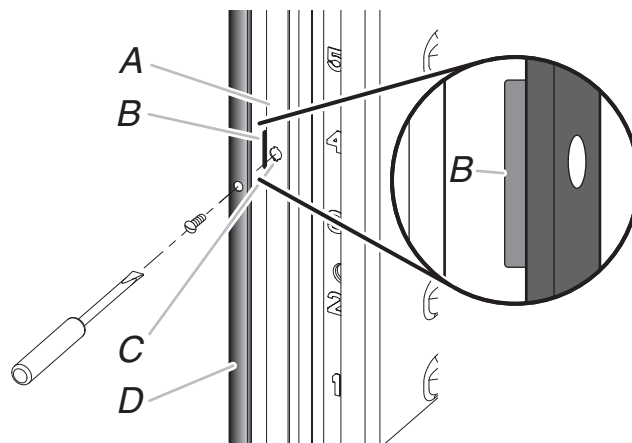
REMARQUE : Pousser le four pour l'introduire dans le placard en appuyant sur la zone du joint du four sur le châssis avant. Ne pas pousser les bords extérieurs.



2. Pousser contre la zone du joint du châssis avant pour introduire le four dans le placard, jusqu'à ce que la surface arrière du châssis avant soit au contact de la paroi avant du placard.



3. Pousser complètement le four dans le placard; centrer le four dans la cavité du placard.
4. Retirer le ruban des garnitures noires avant, ainsi que les attaches de plastiques de l'entretoise d'installation.
 - Fixer solidement le four à l'armoire à l'aide des vis n° 8-14 x 1" (2,5 cm) fournies.
 - Insérer les vis dans les trous de la garniture noire en les alignant avec les trous du châssis du four et des entretoises d'installation déjà en place. Ne pas serrer excessivement les vis.



A. Châssis du four

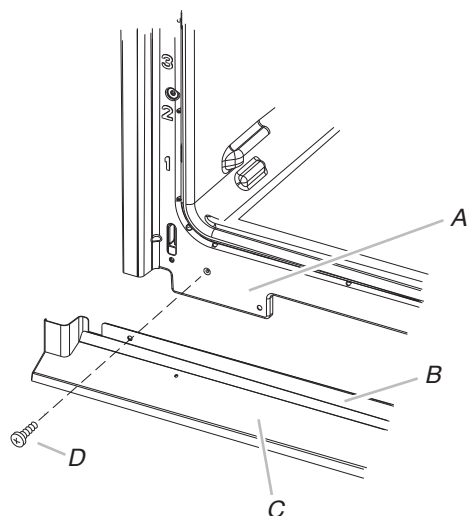
B. Espaceur d'installation

C. Trou du châssis du four

D. Garniture noire

5. L'évent inférieur est expédié dans l'emballage en mousse du dessus du four. Installer l'évent inférieur (C) comme suit :
 - Aligner l'onglet de l'évent (B) avec le châssis du four (A) comme illustré.

- Avec une vis n° 8-18 x 3/8" (9,5 mm) (D) pour chaque côté de l'onglet de l'évent (B), fixer solidement l'évent au four.



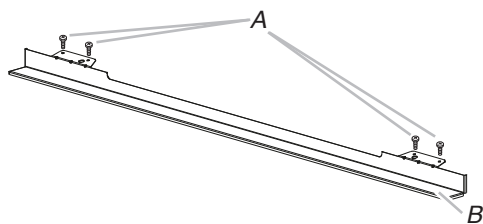
A. Châssis du four
B. Onglet de l'évent
C. Évent inférieur
D. Vis n° 8-18 x 3/8 (9,5 mm)

6. Réinstaller les grilles du four.
7. Réinstaller la porte du four. Voir la section "Réinstallation de la porte(s) du four".
8. Effectuer quelques manoeuvres d'ouverture/fermeture de la porte du four pour en vérifier le bon fonctionnement. Si tel n'est pas le cas, répéter le processus de dépose et d'installation de la porte. Voir la section "Préparation de l'ensemble four micro-ondes et four conventionnel encastrés".
9. Reconnecter la source de courant électrique.
10. Le tableau d'affichage s'allume brièvement et "PF" apparaît sur l'affichage.in the display.
11. Si le tableau d'affichage ne s'allume pas, consulter la "Garantie".

Installation de l'ensemble de déflecteur pour tiroir-réchaud (uniquement pour les fours installés au-dessus d'un tiroir-réchaud)

Sur les modèles de four à micro-ondes/four combiné installés au-dessus d'un tiroir-réchaud, la pose d'un déflecteur pour tiroir réchaud est nécessaire. Voir la section "Outillage et pièces" pour des renseignements sur le processus de commande.

Pièces fournies

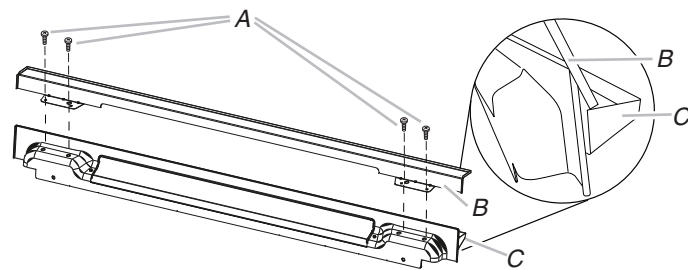


A. Vis à tête Phillips (4) 2 vis seulement pour la taille 27" (68,6 cm)
B. Déflecteur pour tiroir-réchaud (1)

Installation de l'ensemble de déflecteur

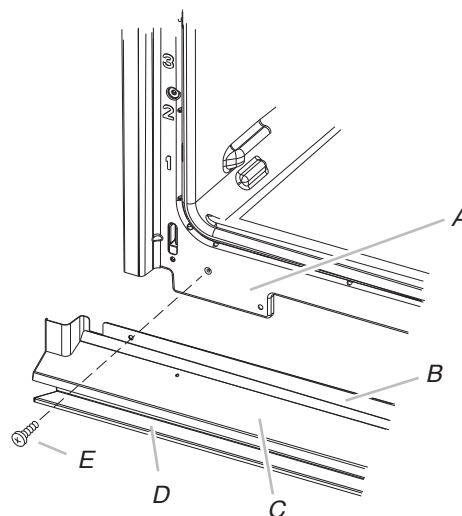
1. Aligner le déflecteur (B) avec l'évent (C) comme illustré.
2. À l'aide de 2 vis n° 8-18 x 1/4" (6,4 mm) (A) de chaque côté du déflecteur (B), fixer solidement le déflecteur à l'évent.

REMARQUE : Sur les modèles de 27" (68,6 cm), utiliser une seule vis n° 8-18 x 1/4" (6,4 mm) de chaque côté.



A. Vis n° 8-18 x 1/4" (6,4 mm)
B. Déflecteur pour tiroir-réchaud
C. Évent

3. Aligner l'onglet de l'évent (B) avec le châssis du four (A) comme illustré.
4. Avec une vis n° 8-18 x 3/8" (9,5 mm) (E) pour chaque côté du support de l'évent (B), fixer solidement l'évent au four.



A. Châssis du four
B. Onglet de l'évent
C. Évent du four
D. Déflecteur pour tiroir-réchaud
E. Vis n° 8-18 x 3/8" (9,5 mm)

Achever l'installation

1. Vérifier que toutes les pièces sont maintenant installées. S'il reste une pièce, passer en revue les différentes étapes pour découvrir laquelle aurait été oubliée.
2. Vérifier la présence de tous les outils.
3. Jeter et recycler tous les matériaux d'emballage.
4. Pour l'utilisation et le nettoyage du four, lire le Guide d'utilisation et d'entretien.

Vérification du fonctionnement du four inférieur

1. Mettre l'appareil sous tension.
2. À la première utilisation, régler l'horloge et toute autre préférence éventuelle si possible. Consulter le Guide d'utilisation et d'entretien pour plus de renseignements.
3. Appuyer sur BROIL (cuisson au grill).
4. Régler la température.
5. Appuyer sur START (mise en marche).

Si le four ne fonctionne pas, contrôler ce qui suit:

- Les fusibles du domicile sont intacts et serrés; ou le disjoncteur n'est pas déclenché.
 - La prise de courant est correctement alimentée.
 - Voir la section "Dépannage" dans le Guide d'utilisation et d'entretien.
6. Après que le four a fonctionné pendant 5 minutes, vérifier qu'il y a émission de chaleur.
Si aucune chaleur n'est ressentie ou si un message d'erreur apparaît sur l'affichage, éteindre le four et contacter un technicien qualifié.
 7. Appuyer sur CANCEL OVEN (annulation four).

Vérification du fonctionnement du four à micro-ondes

1. Remplir un contenant adapté aux micro-ondes avec 1 tasse (250 mL) d'eau et placer le contenant dans le four à micro-ondes. Bien fermer la porte.
2. Appuyer sur COOK (cuisson) et régler le four à micro-ondes pour une durée de cuisson de "2:00" minutes.
3. Appuyer sur START (mise en marche). La lumière intérieure du four à micro-ondes devrait être allumée et la durée de cuisson restante devrait s'afficher.
Lorsque l'affichage indique "1:00" minute, ouvrir la porte du four à micro-ondes. La cuisson par les micro-ondes devrait cesser. Bien fermer la porte. La lumière intérieure du four à micro-ondes devrait s'éteindre.
4. Appuyer sur START (mise en marche). Le four à micro-ondes devrait commencer la cuisson et la lumière intérieure du four à micro-ondes devrait être allumée.
Laisser le four à micro-ondes terminer la durée de cuisson. Un signal sonore retentira 4 fois à la fin de la durée de cuisson et le four à micro-ondes s'éteindra.
5. Ouvrir la porte du four à micro-ondes et retirer lentement le contenant. L'eau dans le contenant devrait être chaude.

Pour obtenir assistance ou service :

Consulter la section "Garantie".

Remarques

Remarques

