

VP6030CS

60 x 30 x 76



PROFESSIONAL

FEATURES

- Modern, matte finish
- Smooth, 4-piece kit
- Caulkless Installation
- Easy Wedge & Lock Installation
- Integral soap shelves
- Left or right drain
- Slip resistant, textured bottom
- Available in White only
- 15-year residential limited warranty

COMPONENTS OF KIT

Standard

- VP6030CPANL (Base) or VP6030CPANR (Base)
- VP6074CBW (Back Wall)
- VP2374CSW (Side Walls)

Aging in Place (AIP)

- VP6030CPANL (Pan) or VP6030CPANR (Pan)
- VP6074CBWA (Back Wall)
- VP2374CSWA (Side Walls)

PACKAGED DIMENSIONS

- Pan: 61 x 31 3/4 x 8 1/2
- Back Wall: 76 x 61 3/4 x 8 1/2
- Side Wall Set: 76 1/4 x 26 3/4 x 5 1/4

VERITEK PRO

Lightweight and durable, Veritek Pro is produced with Swan Solid Surface, a proprietary SMC compound.

Veritek Pro is the better bathroom solution and is a snap to install!

Available in the Following Offerings:

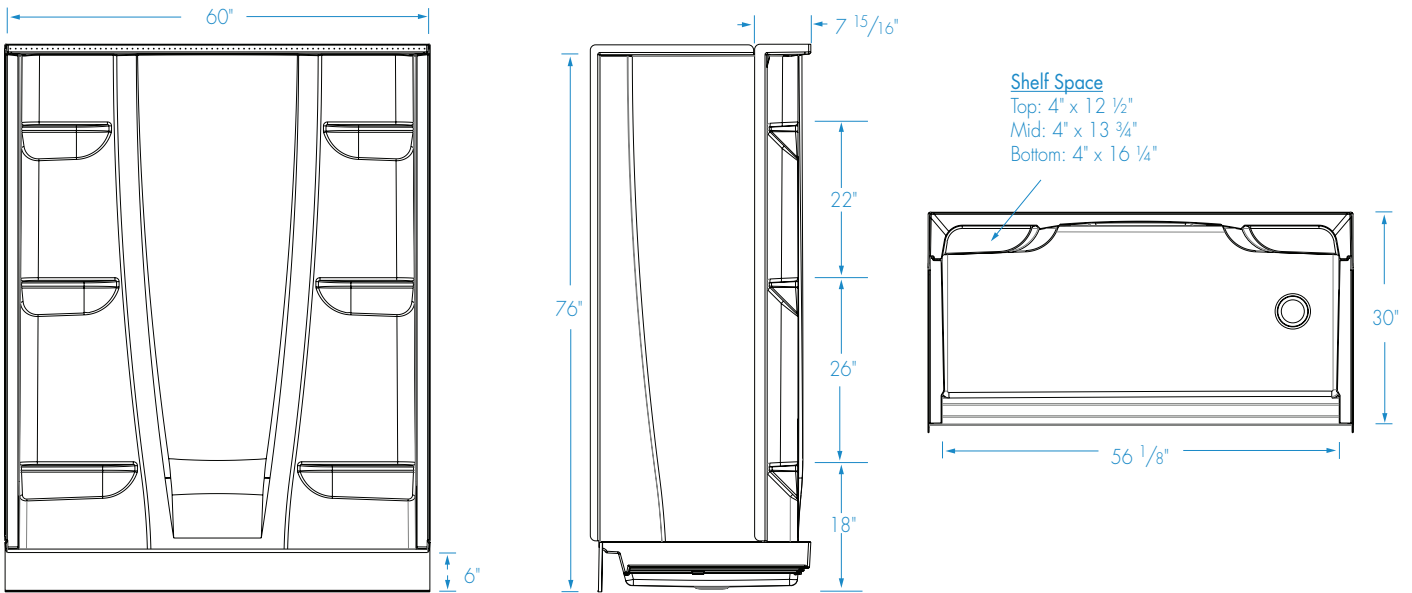
Depth	Width	Height Standard	Model Number	
			Standard	AIP
30	60	76	VP6030CS	VP6030CSAL/R

- **Standard:** Base model shower, tub, or tub shower offering
- **Aging In Place (AIP):** Reinforced shower or tub shower walls that allows for future grab bar installation



VP6030CS

60 x 30 x 76 inches



FEATURES

 Dimensional Tolerance $\pm 3/8"$. Dimensions needed for site preparation should be measured from the unit. Manufacturer assumes no responsibility for preparatory work.

Type	Model #	Material	Wall Finish	Pieces	Seat	Height	Drain	Net Wt. lbs	Pkg. Wt. lbs
Standard Shower	VP6030CSL/R	Swan Solid Surface	Smooth	4	-	76	Left or Right	136	151
AIP Shower	VP6030CSAL/R	Swan Solid Surface	Smooth	4	-	76	Left or Right	166	181

DIMENSIONS

Specifications	inches
Width: Overall / Net	60
Depth: Overall / Net	31 1/4 / 30
Height: Overall / Net	77 3/8 / 76
Enclosure Opening	56 1/8
Skirt Height	6
Drain Rough-In (from Back Wall)	14
Drain Rough-In (from Side Wall)	8 1/2
Drain: Diameter / Clearance	3 1/4 / \emptyset

FRAMING DIMENSIONS

Type	D Depth	W Width	H Height	A	B	C
Alcove	31 1/4	60	-	Box Out	8 1/2	14

