

# VP6034CS

60 x 34 x 76



PROFESSIONAL

## FEATURES

- Modern, matte finish
- Smooth, 4-piece kit
- Caulkless Installation
- Easy Wedge & Lock Installation
- Integral soap shelves
- Center drain
- Slip resistant, textured bottom
- Available in White only
- 15-year residential limited warranty

## COMPONENTS OF KIT

### Standard

- VP6034CPAN (Pan)
- VP6074CBW (Back Wall)
- VP2774CSW (Side Walls)

### Aging in Place (AIP)

- VP6034CPAN (Pan)
- VP6074CBWA (Back Wall)
- VP2774CSWA (Side Walls)

## VERITEK PRO

Lightweight and durable, Veritek Pro is produced with Swan Solid Surface, a proprietary SMC compound.

Veritek Pro is the better bathroom solution and is a snap to install!

Available in the Following Offerings:

Depth	Width	Height Standard	Model Number	
			Standard	AIP
34	60	76	VP6034CS	VP6034CSA

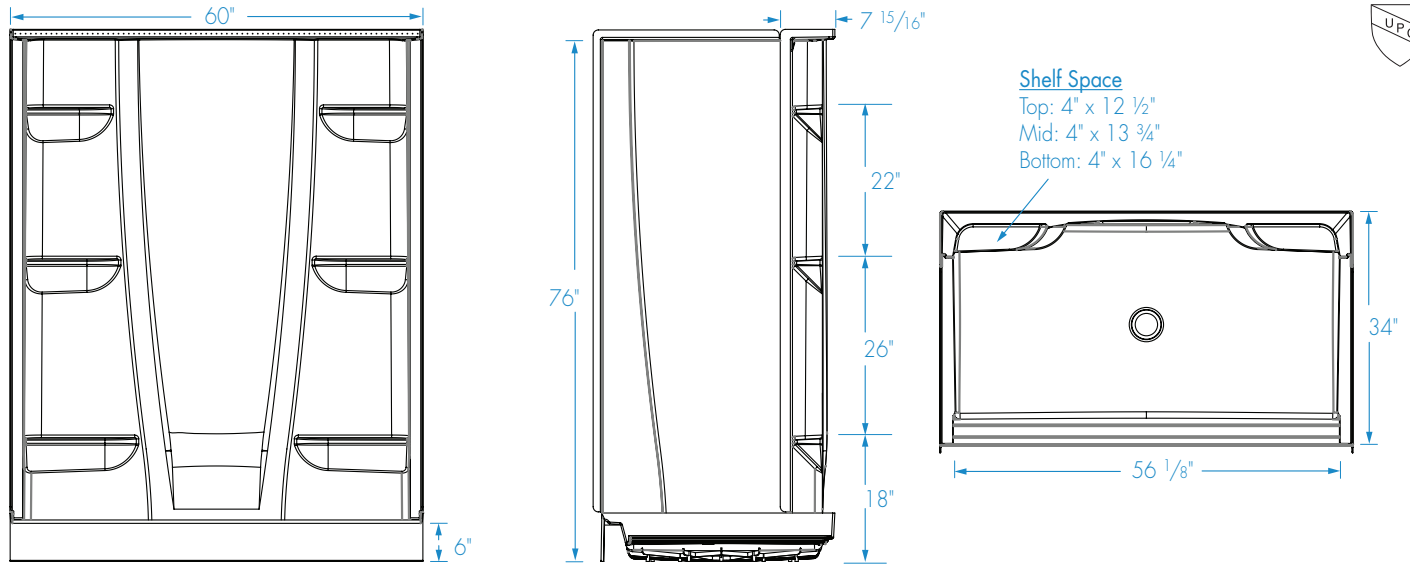
- **Standard:** Base model shower, tub, or tub shower offering
- **Aging In Place (AIP):** Reinforced shower or tub shower walls that allows for future grab bar installation

## PACKAGED DIMENSIONS

- Pan: 61 1/4 x 35 1/2 x 8 1/2
- Back Wall: 76 x 61 3/4 x 8 1/2
- Side Wall Set: 76 1/4 x 30 1/2 x 5



# VP6034CS

 60 x 34 x 76  
inches


## FEATURES

 Dimensional Tolerance  $\pm \frac{3}{8}$ ". Dimensions needed for site preparation should be measured from the unit. Manufacturer assumes no responsibility for preparatory work.

Type	Model #	Material	Wall Finish	Pieces	Seat	Height	Drain	Net Wt. lbs	Pkg. Wt. lbs
Standard Shower	VPVP6034CS	Swan Solid Surface	Smooth	4	-	76	Center	141	156
AIP Shower	VP6034CSA	Swan Solid Surface	Smooth	4	-	76	Center	171	186

## DIMENSIONS

Specifications	inches
<b>Width:</b> Overall / Net	60
<b>Depth:</b> Overall / Net	35 1/8 / 34
<b>Height:</b> Overall / Net	77 3/8 / 76
<b>Enclosure Opening</b>	56 1/8
<b>Skirt Height</b>	6
<b>Drain Rough-In</b> (from Back Wall)	16 1/2
<b>Drain Rough-In</b> (from Side Wall)	30
<b>Drain:</b> Diameter / Clearance	3 1/4 / 3/8

## FRAMING DIMENSIONS

Type	D Depth	W Width	H Height	A	B	C
Alcove	35 1/8	60	-	Box Out	30	16 1/2

