

# F1960 PEX Ring with Stop

Job Name	_____
Location	_____
Engineer	_____
Contractor	_____
Tag	_____ PO# _____

## Specifications

Manufactured to the highest industry standards, Jones Stephens' F1960 cold expansion fittings provide precise, secure, and leak-free connections. Made with strong polymer material, F1960 cold expansion fittings are corrosion and chlorine/chemical resistant – making them a great fit for aggressive water environments. Approved for use with PEX-A piping.

## Applications

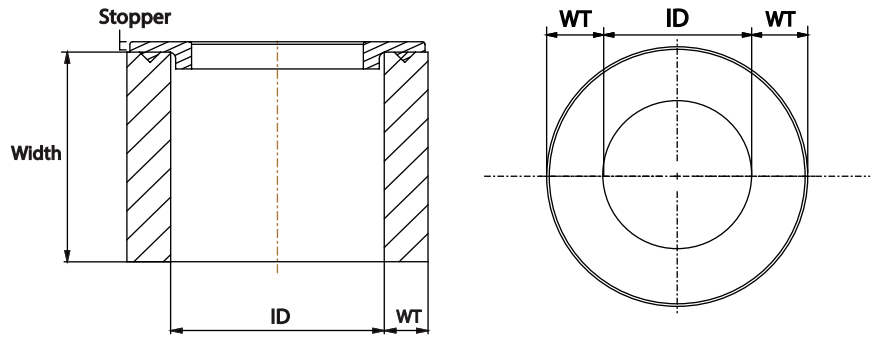
Jones Stephens' F1960 PEX Rings with Stop are approved for use with commercial and residential potable and non-potable water applications.

## Materials

PEX

## Certifications/Listings/Approvals

NSF 61



**Dimensions and Product Offering**

PART NO.	SIZE	I.D.	I.D. Tolerance	Out of Round Max	WT	WT Tolerance	Width	Width Tolerance
<b>F76909</b>	0.50"	0.633"	± 0.003"	0.024"	0.123"	± 0.005"	0.630"	± 0.020"
<b>F76910</b>	0.62"	0.757"	± 0.003"	0.024"	0.123"	± 0.005"	0.787"	± 0.020"
<b>F76911</b>	0.75"	0.882"	± 0.004"	0.024"	0.123"	± 0.005"	0.866"	± 0.020"
<b>F76912</b>	1.00"	1.134"	± 0.004"	0.024"	0.143"	± 0.006"	1.102"	± 0.030"
<b>F76071</b>	1.25"	1.388"	± 0.004"	0.035"	0.138"	± 0.006"	1.349"	± 0.040"
<b>F76072</b>	1.50"	1.642"	± 0.004"	0.035"	0.138"	± 0.006"	1.605"	± 0.040"
<b>F76073</b>	2.00"	2.154"	± 0.004"	0.080"	0.236"	± 0.012"	1.968"	± 0.040"