



Kennon®
Neoroc® top-mount/undermount single bowl
kitchen sink
K-8437-1

Features

- Single bowl.
- 9-1/2" (241 mm) depth provides generous workspace.
- Includes one faucet hole and option for three additional holes for knockout with ball-peen hammer and punch.
- Includes K-6109 bottom sink rack.
- Optional K-5376 bottom sink rack (sold separately).
- Matte finish offers rich, dimensional color.

Material

- KOHLER Neoroc® composite is durable and built to withstand day-to-day cleaning tasks.
- Solid color throughout the sink.
- Heat-resistant up to 750°F.
- Scratch, stain, chip, and thermal-shock resistant.

Installation

- 36" minimum base cabinet width for undermount or top-mount installation.
- Cutout templates included.
- Top-mount or undermount.

Recommended Products/Accessories

- K-5376 Sink Rack
- K-6109 Sink Rack
- K-8801 Sink drain and strainer with tailpiece
- K-8799 Sink drain and strainer basket
- K-23726 Drain treatment
- K-23730 Neoroc® cleaner

Optional Products/Accessories

- K-11352 Disposal Flange with Stopper
- K-9000 P-Trap

Included Components

- Additional Components:
K-6109



Codes/Standards





CSA B45.5/IAPMO Z124

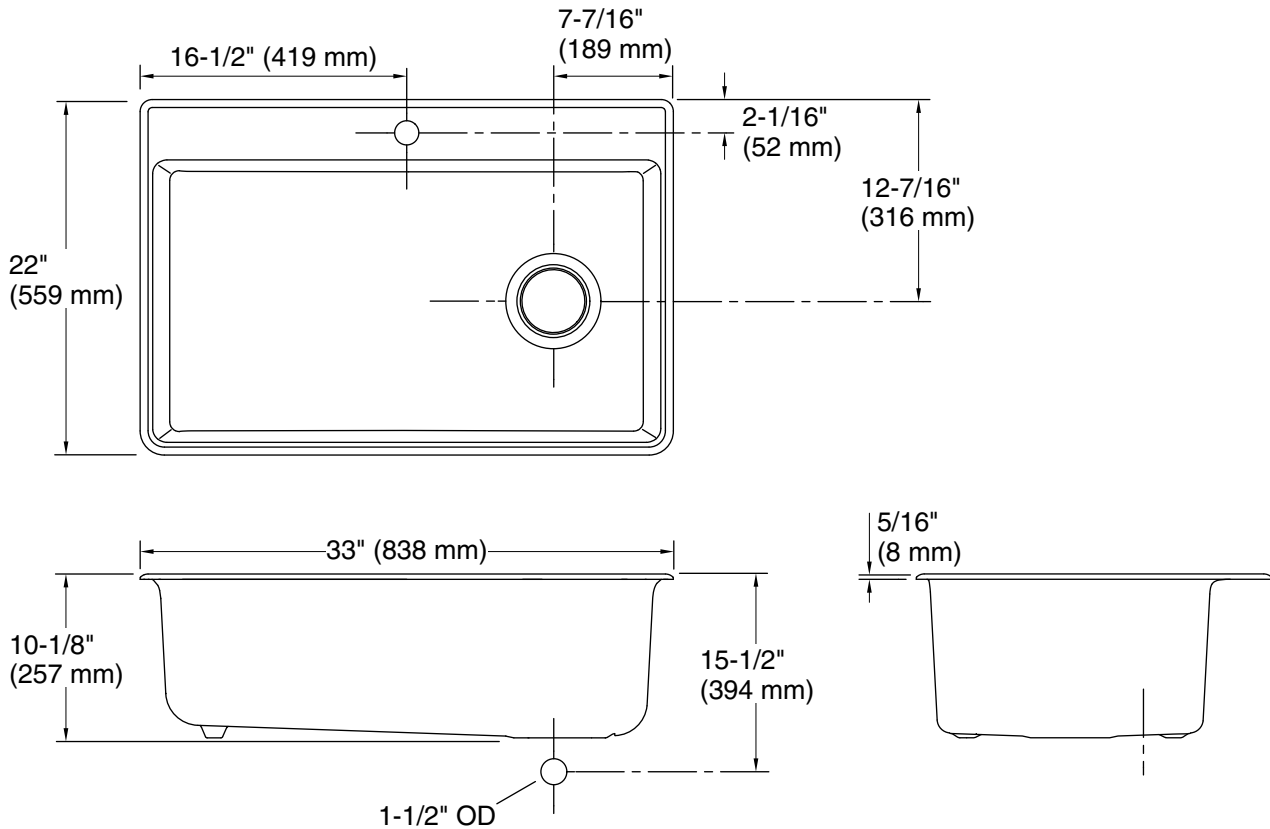
KOHLER® Neoroc® Sinks Lifetime Limited Warranty

See website for detailed warranty information.

Available Colors/Finishes

Color tiles intended for reference only.

Color	Code	Description
	CM7	Matte Graphite
	CM1	Matte Black
	CM2	Matte Brown
	CM3	Matte Taupe



Technical Information

All product dimensions are nominal.

Installation: Top-mount, Undermount

Min. base cabinet width: 36" (914 mm)

Bowl area: Length: 31-1/8" (791 mm)
 Width: 16-15/16" (430 mm)
 Bowl depth: 9-1/2" (241 mm)
 Water depth: 9-1/2" (241 mm)

Drain hole: 3-7/8" (98 mm)

Template: 1281757-7, required, included

Notes

Install this product according to the installation instructions.