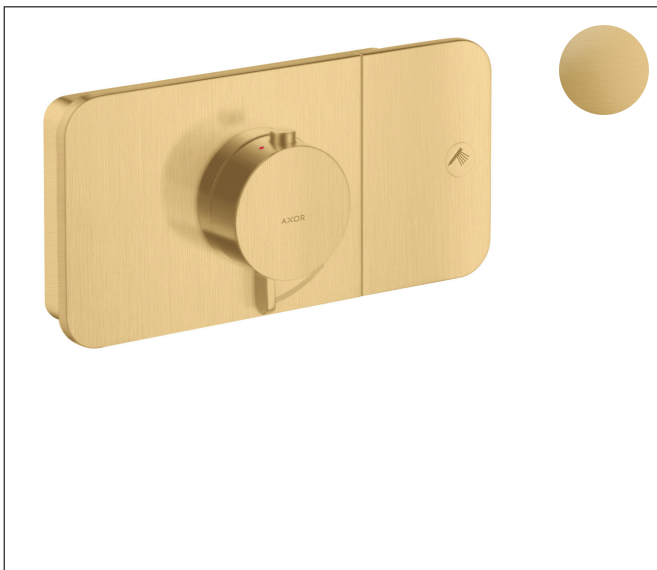


Brand	AXOR
Art. Name	AXOR One Thermostatic module for concealed installation for 1 function
Art. Nr.	45711251
Surface	Brushed Gold Optic
Pos.	1

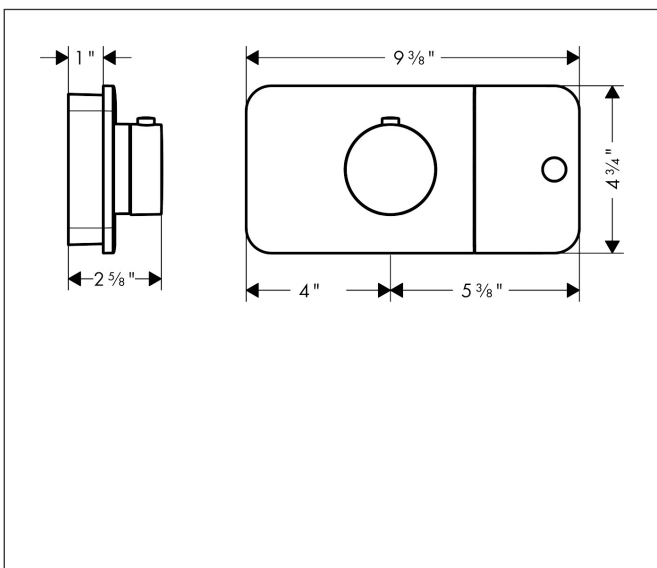
Product picture



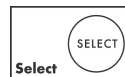
Features

- 1 function and 1 additional outlet
- comfortable turning on / off of consumers with large Select-paddle
- thermostat cartridge, Start/stop valve to operate the functions, ceramic valves 90°
- safety lock at 40 °C
- temperature limitation adjustable
- the thermostat offers the possibility for thermal disinfection
- non-return valve
- connection type: basic set
- min. operating pressure: 1 bar
- Thermostat is delivered with button hand shower

Drawing



Technology



Codes / Standards

- cUPC/IAPMO/3016/ cUPC Mark