

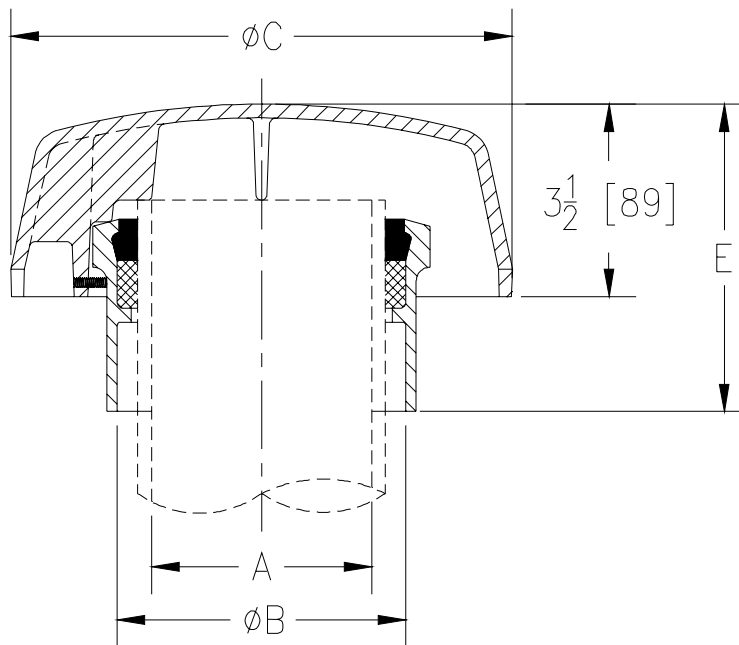


Z193 VANDAL-PROOF HOODED VENT CAP

SPECIFICATION SHEET

TAG _____

Dimensional Data (inches and [mm]) are Subject to Manufacturing Tolerances and Change Without Notice



A Pipe Size Inches	Dimensions In Inches [mm]		Approx. Wt. Lbs. [kg]	Open Area Sq. In. [cm ²]
	B	C		
1-1/2 - 2 [38-51]	3-1/8 [79]	6-3/8 [162]	9 [4]	2:1
3 [76]	4-3/16 [106]	7-5/8 [194]	12 [5]	
4 [102]	5-1/4 [133]	9-1/8 [232]	14 [6]	
5 [127]	6-3/16 [157]	10-1/8 [257]	16 [7]	
6 [152]	7-3/16 [182]	11-5/8 [295]	18 [8]	

ENGINEERING SPECIFICATION: ZURN Z193 Vandal-Proof Vent Cap. Dura-Coated cast iron body and hooded dome cap, vandal-proof securing device.

OPTIONS (Check/specify appropriate options)

PIPE SIZE

1 1/2, 2 [38 51]
3 thru 6 [76 thru 152]

(Specify size/type) **OUTLET**

___ IC Inside Caulk
___ IC Inside Caulk

'E' BODY HT. DIM.

5-11/16 [144]
5 -9/16 [141]

PREFIXES

___ Z D.C.C.I. Body and Dome Cap*

SUFFIXES

___ -G Galvanized Cast Iron

REV. F	DATE: 10/21/10	C.N. NO. 111914
DWG. NO. 58836		PRODUCT NO. Z193

*REGULARLY FURNISHED UNLESS OTHERWISE SPECIFIED