



The new degree of comfort.®

## Endeavor™ Line Cased/Uncased Coils For Gas and Oil Furnaces



### **RCFZ**

Featuring Industry Standard R-410A

Refrigerant

Airflow Capacity

600-1,900 CFM [283-897 L/s]

## Table of Contents

Features & Benefits .....	3
Model Number Identification .....	4
Coil Specifications.....	5-6
Coil Dimensions and Weights .....	7
Accessories .....	8-9
Limited Warranty.....	12

## Features & Benefits

- Rheem® Indoor Furnace cased coils and replacement uncased coils are designed for use with Rheem outdoor units and are available for vertical upflow or downflow, and horizontal left or horizontal right airflow. When matched with Rheem outdoor units, the coils provide a nominal capacity range from 18,000 BTU/HR [5.24 kW] to 60,000 BTU/HR [17.6 kW]
- Constructed of aluminum fins bonded to internally grooved aluminum tubing
- Coils are tested at the factory with an extensive refrigerant leak check
- Coils have copper sweat refrigerant connections
- Feature two sets of 3/4" [19.1 mm] N.P.T. Condensate drain connections for ease of connection
- Chatleff metering device connections, at inlet and outlet of TXV or EEV and equalizer connections (TXV only)
- Approved for system application with variety of Rheem outdoor units
- Condensate drain pan is constructed of high grade, heat resistant, corrosion free thermal-set material
- Compatible with Germicidal Light System (UV resistant)
- Bi-Directional airflow eliminates the need to switch any internal components from horizontal left to right
- Unique drain pan design maximizes application flexibility and condensate removal
- N-Coil design maximizes performance and minimizes height required at installation
- Coils are AHRI certified for system application with a variety of Rheem outdoor units

[ ] Designates Metric Conversions

# Coils

<u>R</u>	<u>C</u>	<u>F</u>	<u>Z</u>	<u>24</u>	<u>14</u>	<u>S</u>	<u>T</u>	<u>A</u>	<u>A</u>	<u>M</u>	<u>C</u>	<u>*</u>
Brand	Product Category	Type	Refrigerant	Capacity	Width	Efficiency	Metering Device	Major Series	Coil Series	Orientation	Casing	Option Code
R = Rheem	C = Coil	F = Furnace Coil	Z = R410A	24/25 = 24,000 BTU/H 36/37 = 36,000 BTU/H 42 = 42,000 BTU/H 48/49 = 48,000 BTU/H 60/61 = 60,000 BTU/H	14 = 14" 17 = 17.5" 21 = 21" 24 = 24.5"	S = Standard M = Medium H = High U = Ultra	T = TXV E = EXV	A = First	A = A-Coil N = N-Coil	M = Multipoise V = Vertical only/ Convertible	C = Cased U = Uncased	*

### TXV MODELS BASE TIER

RCFZ2414STAAMC	RCFZ2414STAAVU
RCFZ2417MTANMC	RCFZ2417MTANVU
RCFZ2417STANMC	RCFZ2417STANVU
RCFZ2421MTANMC	RCFZ2421MTANVU
RCFZ3617STANMC	RCFZ3617STANVU
RCFZ3621MTAAMC	RCFZ3621MTAAVU
RCFZ3621MTANMC	RCFZ3621MTANVU
RCFZ3621STANMC	RCFZ3621STANVU
RCFZ3624MTANMC	RCFZ3624MTANVU
RCFZ4821STAAMC	RCFZ4821STAAVU
RCFZ4821STANMC	RCFZ4821STANVU
RCFZ4824MTANMC	RCFZ4824MTANVU
RCFZ4824STANMC	RCFZ4824STANVU
RCFZ6021STAAMC	RCFZ6021STAAVU
RCFZ6024STANMC	RCFZ6024STANVU

### TXV MODELS MID TIER

RCFZ2517STANMC	RCFZ2517STANVU
RCFZ3717STANMC	RCFZ3717STANVU
RCFZ4921STANMC	RCFZ4921STANVU
RCFZ6124STANMC	RCFZ6124STANVU

### EEV MODELS HIGH TIER

RCFZ2421HEAAMC	RCFZ2421HEAAVU
RCFZ2417SEANMC	RCFZ2417SEANVU
RCFZ2421HEANMC	RCFZ2421HEANVU
RCFZ2421MEANMC	RCFZ2421MEANVU
RCFZ3621MEAAMC	RCFZ3621MEAAVU
RCFZ3621MEANMC	RCFZ3621MEANVU
RCFZ4821SEAAMC	RCFZ4821SEAAVU
RCFZ6021SEAAMC	RCFZ6021SEAAVU
RCFZ6024SEANMC	RCFZ6024SEANVU

## Coil Specifications/Airflow Pressure Drop

Coil Model (-)CFZ	Approx. Design Cooling Airflow Range CFM [L/s]	Face Area Sq. Ft. [m2]	Fins Per Inch/ Rows Deep	Width	Nominal Capacity	Wet Coil Static Pressure Drop (Inches W.C.) [kPa] @ CFM [L/s] – (Coil Only)															
						600 [283]	700 [330]	800 [378]	900 [425]	1000 [472]	1100 [519]	1200 [566]	1300 [614]	1400 [661]	1500 [708]	1600 [755]	1700 [802]	1800 [850]	1900 [897]		
(-)CFZ2414S*	525/900 [248/425]	4.56 [0.42]	16/2	14		0.171 [42]	0.221 [55]	0.278 [69]	0.342 [85]	0.412 [103]	—	—	—	—	—	—	—	—	—		
(-)CFZ2417S/ (-)CFZ2517S	525/900 [248/425]	4.56 [0.42]	16/2	17	1.5	2	0.115 [29]	0.150 [37]	0.189 [47]	0.232 [58]	0.279 [69]	—	—	—	—	—	—	—	—		
(-)CFZ2417M	525/900 [248/425]	5.70 [0.52]	16/2				0.107 [27]	0.137 [34]	0.171 [42]	0.209 [52]	0.251 [62]	—	—	—	—	—	—	—	—	—	—
(-)CFZ3617S/ (-)CFZ3717S	800/1200 [378/566]	5.70 [0.52]	16/2		2.5		0.107 [27]	0.137 [34]	0.171 [42]	0.209 [52]	0.251 [62]	0.297 [74]	0.347 [86]	0.401 [100]	—	—	—	—	—		
(-)CFZ2421M	525/900 [248/425]	5.70 [0.52]	16/2	21	1.5	2	0.107 [27]	0.137 [34]	0.171 [42]	0.209 [52]	0.251 [62]	—	—	—	—	—	—	—	—		
(-)CFZ2421H	525/900 [248/425]	8.55 [0.79]	16/2				0.062 [15]	0.086 [21]	0.112 [28]	0.140 [35]	0.170 [42]	—	—	—	—	—	—	—	—	—	—
(-)CFZ2421H*	525/900 [248/425]	7.60 [0.70]	13/3				0.041 [10]	0.060 [15]	0.081 [20]	0.105 [26]	0.130 [32]	—	—	—	—	—	—	—	—	—	—
(-)CFZ3621S	800/1200 [378/566]	5.70 [0.52]	16/2		2.5	3		0.107 [27]	0.137 [34]	0.171 [42]	0.209 [52]	0.251 [62]	0.297 [74]	0.347 [86]	0.401 [100]	—	—	—	—	—	
(-)CFZ3621M	800/1300 [378/614]	8.55 [0.79]	16/2				0.062 [15]	0.086 [21]	0.112 [28]	0.140 [35]	0.170 [42]	0.202 [50]	0.236 [59]	0.272 [68]	0.309 [77]	—	—	—	—	—	
(-)CFZ3621M*	800/1300 [378/614]	7.60 [0.70]	13/3				0.041 [10]	0.060 [15]	0.081 [20]	0.105 [26]	0.130 [32]	0.157 [39]	0.186 [46]	0.217 [54]	0.250 [62]	—	—	—	—	—	—
(-)CFZ4821S/ (-)CFZ4921S	1200/1600 [566/755]	8.55 [0.79]	16/2		3.5	4		0.062 [15]	0.086 [21]	0.112 [28]	0.140 [35]	0.170 [42]	0.202 [50]	0.236 [59]	0.272 [68]	0.309 [77]	0.349 [87]	0.391 [97]	0.434 [108]	0.480 [119]	—
(-)CFZ4821S*	1200/1600 [566/755]	7.60 [0.70]	13/3				0.041 [10]	0.060 [15]	0.081 [20]	0.105 [26]	0.130 [32]	0.157 [39]	0.186 [46]	0.217 [54]	0.250 [62]	0.285 [71]	0.322 [80]	0.361 [90]	0.402 [100]	—	—
(-)CFZ6021ST*	1400/1800 [661/850]	7.60 [0.70]	13/3				0.000 [0]	0.007 [2]	0.035 [9]	0.063 [16]	0.091 [23]	0.119 [30]	0.147 [37]	0.175 [44]	0.203 [50]	0.231 [57]	0.259 [64]	0.287 [71]	0.315 [78]	0.343 [85]	—
(-)CFZ6021SE*	1400/1600 [661/755]	7.60 [0.70]	13/3		3	5		0.041 [10]	0.060 [15]	0.081 [20]	0.105 [26]	0.130 [32]	0.157 [39]	0.186 [46]	0.217 [54]	0.250 [62]	0.285 [71]	0.322 [80]	0.361 [90]	0.402 [100]	0.444 [111]
(-)CFZ3624M	800/1300 [378/614]	8.55 [0.79]	16/2		24	2.5	3.0	0.062 [15]	0.086 [21]	0.112 [28]	0.140 [35]	0.170 [42]	0.202 [50]	0.236 [59]	0.272 [68]	0.309 [77]	—	—	—	—	—
(-)CFZ4824S	1200/1600 [566/755]	8.55 [0.79]	16/2					0.062 [15]	0.086 [21]	0.112 [28]	0.140 [35]	0.170 [42]	0.202 [50]	0.236 [59]	0.272 [68]	0.309 [77]	0.349 [87]	0.391 [97]	0.434 [108]	0.480 [119]	—
(-)CFZ4824M	1200/1600 [566/755]	9.98 [0.93]	13/3	3.5		4		0.032 [8]	0.049 [12]	0.069 [17]	0.091 [23]	0.114 [28]	0.140 [35]	0.167 [42]	0.197 [49]	0.228 [57]	0.262 [65]	0.297 [74]	0.334 [83]	0.374 [93]	—
(-)CFZ6024S/ (-)CFZ6124S	1400/1600 [661/755]	9.98 [0.93]	13/3				5		0.032 [8]	0.049 [12]	0.069 [17]	0.091 [23]	0.114 [28]	0.140 [35]	0.167 [42]	0.197 [49]	0.228 [57]	0.262 [65]	0.297 [74]	0.334 [83]	0.374 [93]

[ ] Designates Metric Conversions

## Coil Specifications/Airflow Pressure Drop (Con't.)

Coil Model (-)CFZ	Approx. Design Cooling Airflow Range CFM [L/s]	Face Area Sq. Ft. [m <sup>2</sup> ]	Fins Per Inch/ Rows Deep	Width	Nominal Capacity		Dry Coil Static Pressure Drop (Inches W.C.) [kPa] @ CFM [L/s] – (Coil Only)															
							600 [283]	700 [330]	800 [378]	900 [425]	1000 [472]	1100 [519]	1200 [566]	1300 [614]	1400 [661]	1500 [708]	1600 [755]	1700 [802]	1800 [850]	1900 [897]		
(-)CFZ2414S*	600/1200 [283/566]	4.56 [0.42]	16/2	14			0.121 [30]	0.160 [40]	0.205 [51]	0.256 [64]	0.312 [78]	0.373 [93]	0.441 [110]	0.514 [128]	—	—	—	—	—	—		
(-)CFZ2417S/ (-)CFZ2517S	600/1200 [283/566]	4.56 [0.42]	16/2	17	1.5	2	0.097 [24]	0.128 [32]	0.163 [41]	0.202 [50]	0.245 [61]	0.292 [73]	0.343 [85]	0.398 [99]	—	—	—	—	—	—		
(-)CFZ2417M	600/1200 [283/566]	5.70 [0.52]	16/2				0.112 [28]	0.144 [36]	0.180 [45]	0.220 [55]	0.264 [66]	0.312 [78]	0.364 [91]	0.420 [105]	—	—	—	—	—	—	—	—
(-)CFZ3617S/ (-)CFZ3717S	600/1300 [283/614]	5.70 [0.52]	16/2		2.5	3	0.112 [28]	0.144 [36]	0.180 [45]	0.220 [55]	0.264 [66]	0.312 [78]	0.364 [91]	0.420 [105]	0.480 [119]	—	—	—	—	—	—	
(-)CFZ2421M	600/1200 [283/566]	5.70 [0.52]	16/2	21	1.5	2	0.112 [28]	0.144 [36]	0.180 [45]	0.220 [55]	0.264 [66]	0.312 [78]	0.364 [91]	0.420 [105]	—	—	—	—	—	—		
(-)CFZ2421H	600/1200 [283/566]	8.55 [0.79]	16/2				0.062 [15]	0.086 [21]	0.112 [28]	0.140 [35]	0.170 [42]	0.202 [50]	0.236 [59]	0.272 [68]	0.309 [77]	0.349 [87]	0.391 [97]	0.434 [108]	—	—	—	—
(-)CFZ2421H*	600/1600 [283/755]	7.60 [0.70]	13/3				0.043 [11]	0.053 [13]	0.066 [16]	0.080 [20]	0.096 [24]	0.115 [29]	0.135 [34]	0.158 [39]	0.182 [45]	0.208 [52]	0.237 [59]	0.267 [66]	—	—	—	—
(-)CFZ3621S	600/1400 [283/661]	5.70 [0.52]	16/2		2.5		0.112 [28]	0.144 [36]	0.180 [45]	0.220 [55]	0.264 [66]	0.312 [78]	0.364 [91]	0.420 [105]	0.480 [119]	—	—	—	—	—	—	
(-)CFZ3621M	600/1900 [283/897]	8.55 [0.79]	16/2				0.039 [10]	0.056 [14]	0.075 [19]	0.095 [24]	0.117 [29]	0.141 [35]	0.166 [41]	0.193 [48]	0.222 [55]	0.252 [63]	0.284 [71]	0.318 [79]	0.353 [88]	0.391 [97]	—	—
(-)CFZ3621M*	600/1900 [283/897]	7.60 [0.70]	13/3				0.043 [11]	0.053 [13]	0.066 [16]	0.080 [20]	0.096 [24]	0.115 [29]	0.135 [34]	0.158 [39]	0.182 [45]	0.208 [52]	0.237 [59]	0.267 [66]	0.299 [75]	0.334 [83]	—	—
(-)CFZ4821S/ (-)CFZ4921S	600/1900 [283/897]	8.55 [0.79]	16/2		3.5	4	0.039 [10]	0.056 [14]	0.075 [19]	0.095 [24]	0.117 [29]	0.141 [35]	0.166 [41]	0.193 [48]	0.222 [55]	0.252 [63]	0.284 [71]	0.318 [79]	0.353 [88]	0.391 [97]	—	
(-)CFZ4821S*	600/1900 [283/897]	7.60 [0.70]	13/3				0.043 [11]	0.053 [13]	0.066 [16]	0.080 [20]	0.096 [24]	0.115 [29]	0.135 [34]	0.158 [39]	0.182 [45]	0.208 [52]	0.237 [59]	0.267 [66]	0.299 [75]	0.334 [83]	—	—
(-)CFZ6021ST*	600/1900 [283/897]	7.60 [0.70]	13/3				0.000 [0]	0.000 [0]	0.016 [4]	0.040 [10]	0.065 [16]	0.089 [22]	0.113 [28]	0.137 [34]	0.162 [40]	0.186 [46]	0.210 [52]	0.234 [58]	0.259 [64]	0.283 [70]	—	—
(-)CFZ6021SE*	600/1900 [283/897]	7.60 [0.70]	— 13/3		3	5	0.043 [11]	0.053 [13]	0.066 [16]	0.080 [20]	0.096 [24]	0.115 [29]	0.135 [34]	0.158 [39]	0.182 [45]	0.208 [52]	0.237 [59]	0.267 [66]	0.299 [75]	0.334 [83]	—	
(-)CFZ3624M	600/1900 [283/897]	8.55 [0.79]	16/2		24	2.5	3	0.039 [10]	0.056 [14]	0.075 [19]	0.095 [24]	0.117 [29]	0.141 [35]	0.166 [41]	0.193 [48]	0.222 [55]	0.252 [63]	0.284 [71]	0.318 [79]	0.353 [88]	0.391 [97]	—
(-)CFZ4824S	600/1900 [283/897]	8.55 [0.79]	16/2					0.039 [10]	0.056 [14]	0.075 [19]	0.095 [24]	0.117 [29]	0.141 [35]	0.166 [41]	0.193 [48]	0.222 [55]	0.252 [63]	0.284 [71]	0.318 [79]	0.353 [88]	0.391 [97]	—
(-)CFZ4824M	600/1900 [283/897]	9.98 [0.93]	13/3	3.5		4	0.023 [6]	0.038 [10]	0.055 [14]	0.074 [18]	0.095 [24]	0.119 [29]	0.144 [36]	0.171 [42]	0.200 [50]	0.231 [58]	0.264 [66]	0.300 [75]	0.337 [84]	0.376 [94]	—	
(-)CFZ6024S/ (-)CFZ6124S	600/1900 [283/897]	9.98 [0.93]	13/3				5	0.023 [6]	0.038 [10]	0.055 [14]	0.074 [18]	0.095 [24]	0.119 [29]	0.144 [36]	0.171 [42]	0.200 [50]	0.231 [58]	0.264 [66]	0.300 [75]	0.337 [84]	0.376 [94]	—

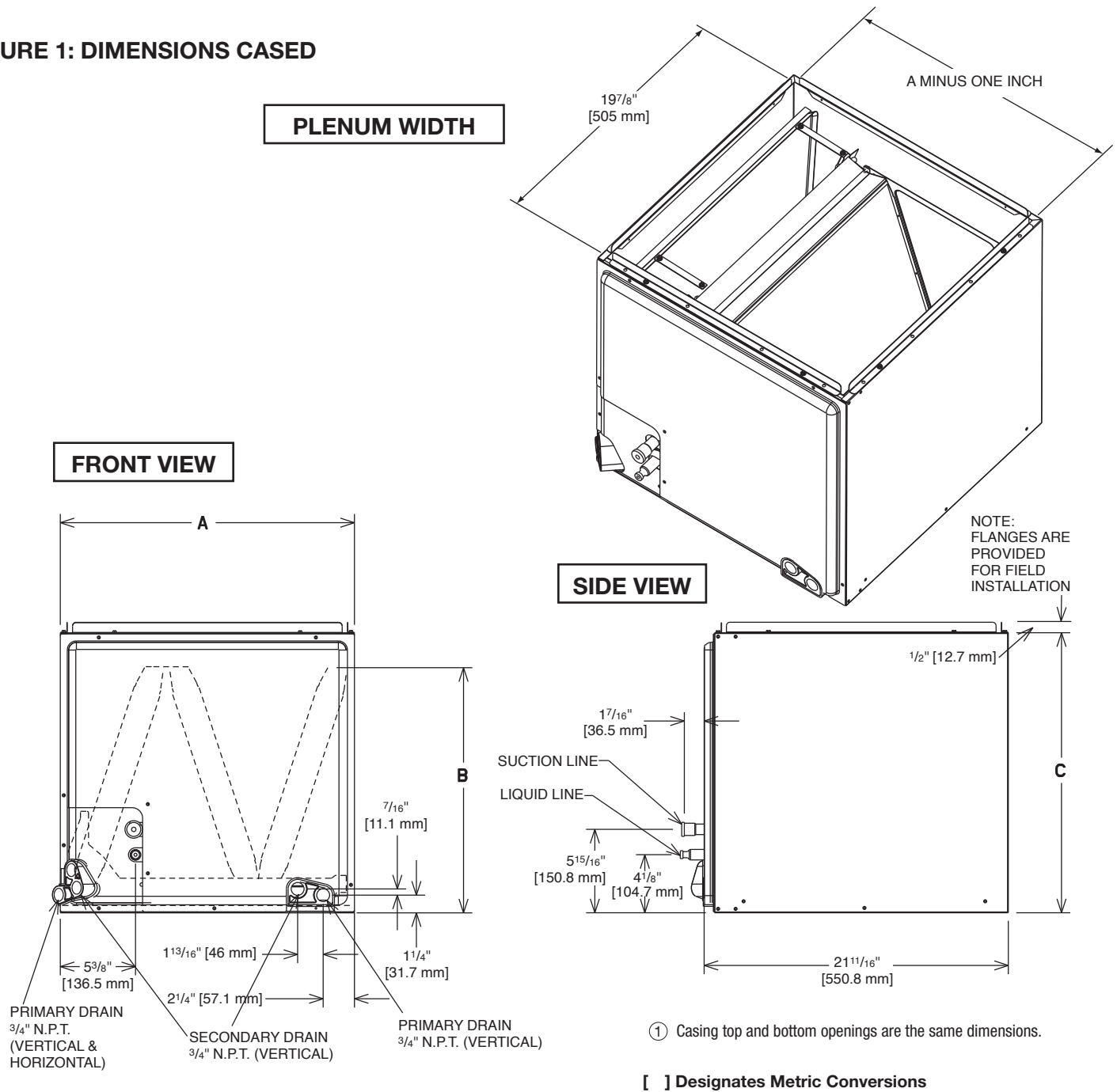
[ ] Designates Metric Conversions

## Cased Coil Dimensions and Weights

Coil Model RCF	Connections I.D.		Cased Coil Dimensions (in) [mm]			Weight	
	Sweat (in.) [mm]		A	B	C	Coil Weight (lbs.) [Kg.]	Shipping Weight (lbs.) [Kg.]
	Liquid	Suction					
2414S*	3/8 [9.53]	3/4 [19.05]	14 [356]	20 <sup>1</sup> / <sub>16</sub> [535]	23 <sup>3</sup> / <sub>16</sub> [584]	45 [20]	49 [22]
2417S/2517S	3/8 [9.53]	3/4 [19.05]	17 <sup>1</sup> / <sub>2</sub> [445]	14 <sup>1</sup> / <sub>2</sub> [368]	20 [508]	43 [19]	48 [21]
2417M/3617S/3717S	3/8 [9.53]	3/4 [19.05]	17 <sup>1</sup> / <sub>2</sub> [445]	17 [454]	20 [508]	49 [22]	54 [24]
2421M/3621S	3/8 [9.53]	3/4 [19.05]	21 [533]	17 <sup>1</sup> / <sub>2</sub> [445]	20 [508]	51 [23]	57 [25]
2421H/3621M/4821S/4921S	3/8 [9.53]	7/8 [22.23]	21 [533]	25 [657]	28 [711]	71 [32]	78 [35]
3624M/4824S	3/8 [9.53]	7/8 [22.23]	24 <sup>1</sup> / <sub>2</sub> [622]	25 [645]	32 [812]	83 [38]	93 [42]
4824M/6024S/6124S	3/8 [9.53]	7/8 [22.23]	24 <sup>1</sup> / <sub>2</sub> [622]	30 <sup>1</sup> / <sub>4</sub> [768]	32 [812]	100 [45]	110 [50]
2421H*/3621M*/4821S*/6021S*	3/8 [9.53]	7/8 [22.23]	21 [533]	33 [838]	34 <sup>1</sup> / <sub>2</sub> [876]	76 [34]	86 [37]

\* = "A" Coil

FIGURE 1: DIMENSIONS CASED



## Coil Application

Coils can be matched to heating products as listed in table below.

Coil Model (-)CFZ	Furnace Width (In.) (mm)	
	Oil*	Gas
2414S 2417S/2417M/2517S 3617S/3717S	—	14 [356]
2417S/2417M/2517S 3617S/3717S	17 [431]	17½ [444]
		14 [356]
2421M 2421H/3621S/3621M / 4821S/4921S/6021S	21 [533]	21 [533]
		17½ [444]
3624M 4824S/4824M/6024S 6024H/6124S	24½ [622]	24½ [622]
		21 [533]

\*Due to the proximity of the drain pan to the high temperature oil furnace drum, horizontal left application is NOT permitted on all oil furnaces.

## Accessories

### • PLENUM ADAPTER ACCESSORY RXBA-AE

This plenum adapter accessory is for use with the 24½" wide cased indoor cooling and heat pump coils. This allows a 24½" wide cased coil to be installed on a 28" wide oil furnace. This is a field-installed accessory only.

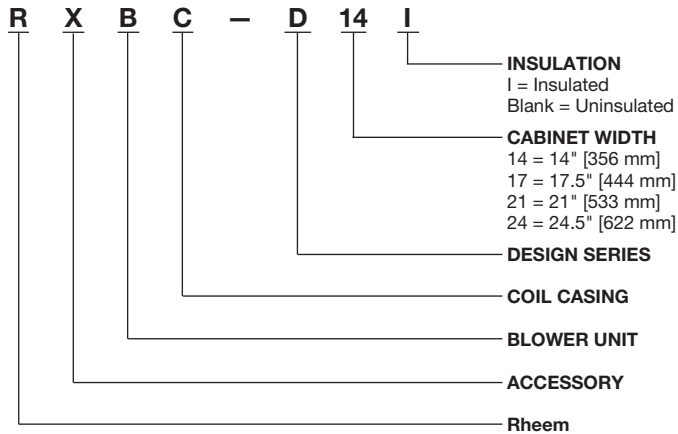
### • RXBA-AC (Upflow/Horizontal)

These plenum adapter accessories are for use when a cooling coil is matched with a gas furnace of one smaller size.

### • HORIZONTAL ADAPTER KIT RXHH (See Figure 2)

This horizontal adapter kit is used to convert a upflow or downflow coil (\*VUA) for a horizontal application. See Table 4 to order the proper horizontal adapter kit.

### • INDOOR COIL CASING- RXBC (See Table 5)



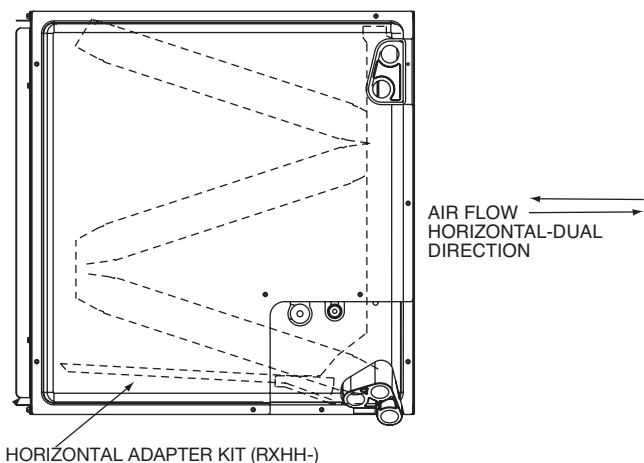
## Horizontal Adapter Kit

Coil Model	Horizontal Adapter Kit Model No.
(-)CFZ2414STAAVU	RXHH-A01
(-)CFZ2417MTANVU	RXHH-A03
(-)CFZ2417STANVU	RXHH-A02
(-)CFZ2417STANVU	RXHH-A02
(-)CFZ2517STANVU	RXHH-A02
(-)CFZ2421MEANVU	RXHH-A03
(-)CFZ2421HEANVU	RXHH-A04
(-)CFZ2421HEAAVU	RXHH-A06
(-)CFZ2421MTANVU	RXHH-A03
(-)CFZ3617STANVU	RXHH-A03
(-)CFZ3717STANVU	RXHH-A03
(-)CFZ3621MEANVU	RXHH-A04
(-)CFZ3621MEAAVU	RXHH-A06
(-)CFZ3621MTAAVU	RXHH-A06
(-)CFZ3621MTANVU	RXHH-A04
(-)CFZ3621STANVU	RXHH-A03
(-)CFZ3624MTANVU	RXHH-A04
(-)CFZ4821SEAAVU	RXHH-A06
(-)CFZ4821STAAVU	RXHH-A06
(-)CFZ4821STANVU	RXHH-A04
(-)CFZ4921STANVU	RXHH-A04
(-)CFZ4824MTANVU	RXHH-A05
(-)CFZ4824STANVU	RXHH-A04
(-)CFZ6021STAAVU	RXHH-A06
(-)CFZ6021SEAAVU	RXHH-A06
(-)CFZ6024SEANVU	RXHH-A05
(-)CFZ6024STANVU	RXHH-A05
(-)CFZ6024STANVU	RXHH-A05
(-)CFZ6024STANVU	RXHH-A05
(-)CFZ6124STANVU	RXHH-A05



## Accessories (Con't.)

FIGURE 2: HORIZONTAL ADAPTER KIT ILLUSTRATION



## Unit Dimensions and Weights

### RXBC Indoor Coil Casings

Model Number	Width (in.) [mm]	Height (in.) [mm]	Depth (in.) [mm]	Unit Weight		Supply Air/Return Air Openings	
				Weight (lbs.) [Kg.]	Ship. Wt. (lbs.) [Kg.]	Width (in.) [mm]	Depth (in.) [mm]
RXBC-D14AI	14 [356]	23 <sup>7</sup> / <sub>16</sub> [589]	21 <sup>5</sup> / <sub>8</sub> [549]	19 [9]	23 [10]	13 [330]	19 <sup>31</sup> / <sub>32</sub> [508]
RXBC-D17AI	17 <sup>1</sup> / <sub>2</sub> [445]	20 [508]		18 [8]	23 [10]	16 <sup>1</sup> / <sub>2</sub> [419]	
RXBC-D21AI	21 [533]	20 [508]		20 [9]	26 [12]	20 [508]	
RXBC-D21BI	21 [533]	28 [711]		27 [12]	36 [17]	20 [508]	
RXBC-D24AI	24 <sup>1</sup> / <sub>2</sub> [622]	32 <sup>1</sup> / <sub>2</sub> [826]		34 [16]	44 [20]	23 <sup>1</sup> / <sub>2</sub> [597]	

### Uncased Coil Adapter Kit

Uncased Coil Adapter Model Number RXBA	A Width (in.) [mm]	Uncased Coil Model RCFP
B14x20	13 <sup>1</sup> / <sub>8</sub> [333]	(-)CFZ2414
B17x20	16 <sup>5</sup> / <sub>8</sub> [422]	(-)CFZ**17
B21x20	20 <sup>1</sup> / <sub>8</sub> [511]	(-)CFZ**21
B24x20	23 <sup>5</sup> / <sub>8</sub> [599]	(-)CFZ**24

#### • UNCASED COIL ADAPTER KIT RXBA- (See Figure 3 & 4)

This uncased coil adapter kit is used to adapt the coil to a furnace or ductwork. See Table 6 to order the proper adapter kit. Each kit contains a quantity of 20 adapters.

FIGURE 3: UNCASED COIL ADAPTER KIT ILLUSTRATION

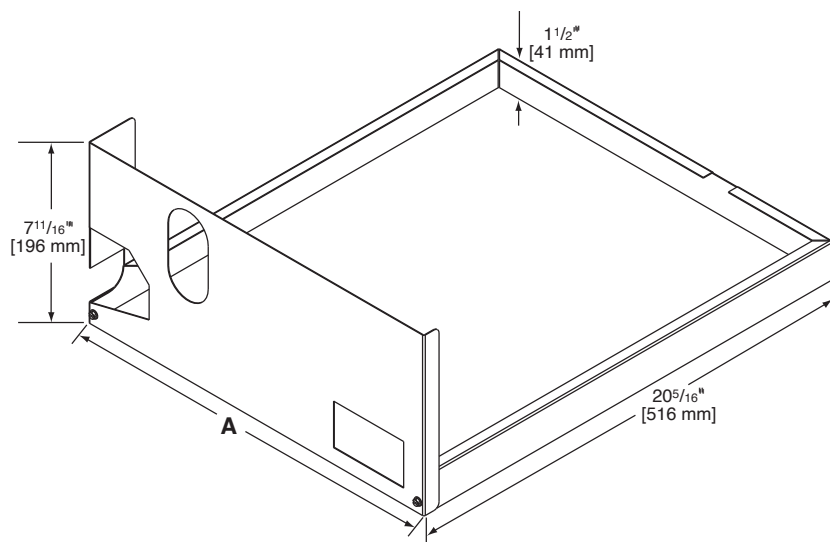
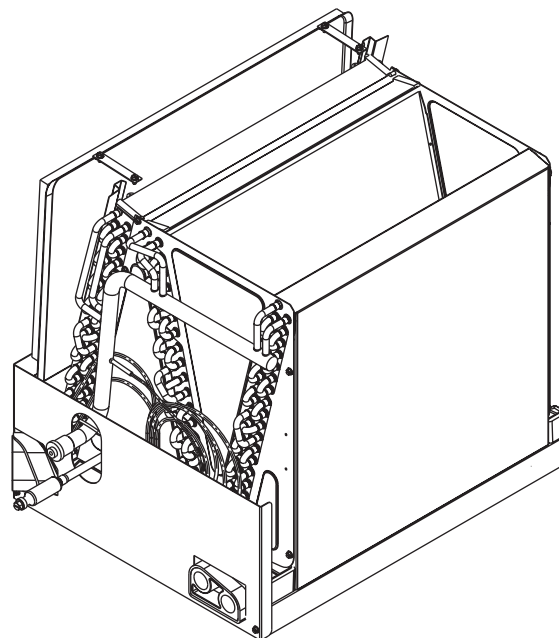


FIGURE 4: UNCASED COIL ADAPTER KIT ASSEMBLED



Note: Sliding the coil into the coil rail before attaching coil rack front.

[ ] Designates Metric Conversions







The new degree of comfort®

**GENERAL TERMS OF LIMITED WARRANTY\***

Rheem will furnish a replacement for any part of this product which fails in normal use and service within the applicable period stated, in accordance with the terms of the limited warranty.

Conditional Parts  
(Registration Required)..... Ten (10) Years

**\*For complete details of the Limited and Conditional Warranties, including applicable terms and conditions, contact your local contractor or the Manufacturer for a copy of the product warranty certificate.**

**Before proceeding with installation, refer to installation instructions packaged with each model, as well as complying with all Federal, State, Provincial, and Local codes, regulations, and practices.**

© 2023 Rheem Manufacturing Company. Rheem trademarks owned by Rheem Manufacturing Company.

*In keeping with its policy of continuous progress and product improvement, Rheem reserves the right to make changes without notice.*

Rheem Heating, Cooling & Water Heating • 5600 Old Greenwood Road  
Fort Smith, Arkansas 72908 • [www.rheem.com](http://www.rheem.com)

Rheem Canada Ltd./Ltée • 125 Edgeware Road, Unit 1  
Brampton, Ontario • L6Y 0P5 • [rheem.ca](http://rheem.ca)