

ALVORD

PFWSC6847

4" CENTERSET BATHROOM FAUCET



Product Features

- Metal lever handle
- Ceramic disc cartridges
- Flow rate: 1.2 GPM (4.54 L/min) at 60 PSI
- 3-hole 4-inch installation
- Brass pop-up drain with lift rod and tailpiece.

Optional Parts

1.0 GPM Aerator	Neoperl 40.2058.000
0.5 GPM Aerator	OBPF530223*
Thick Deck Extension Kit	OBPF23644EXT
Drain Lift Rod Extension	PF351NA

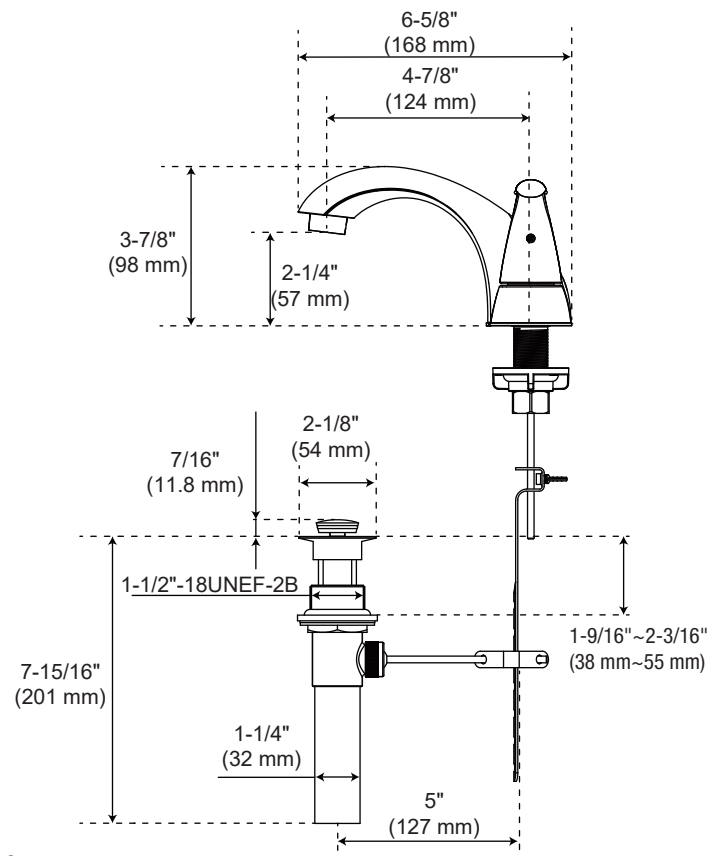
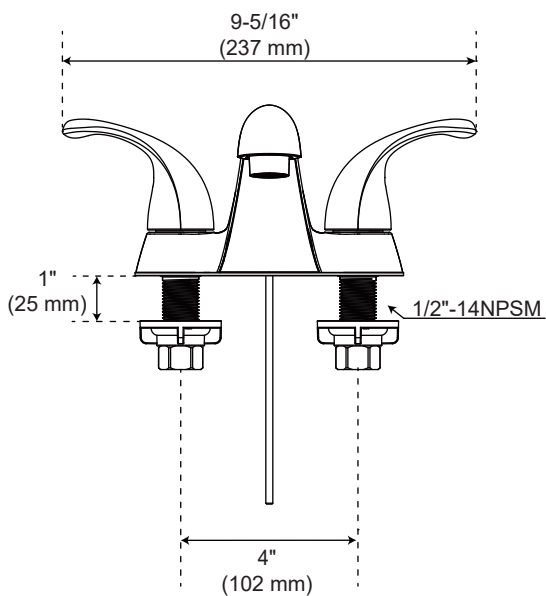


Codes and Certifications



- Certified to ASME A112.18.1 / CSA B125.1
- cUPC/IAPMO listed
- Handle ADA compliant
- EPA WaterSense certified
- NSF/ANSI/CAN 61: Q ≤1

PFWSC6847



For detailed warranty information, visit ferguson.com/proflo-faucet-warranty.