

AMBERLEY SINGLE-HOLE BAR FAUCET

SKU: 948522

Code: SHXCAM137



FEATURES

Material: Metal construction for strength and durability

Installation Type: Single-Hole

Flow Rate: 1.8 gpm (6.8 L/min) @ 60 psi

Cartridge Type: Ceramic Disc

Swivel Spout: Yes

ASME A112.18.1/CSA B125.1, NSF/ANSI 372, NSF/ANSI 61, NSF/ANSI/CAN 61, NSF/ANSI/CAN 61-9:Q \leq 1, ICC/ANSI A117.1, Massachusetts Accepted, LISTED ID: SHXCAM137*



ADDITIONAL FEATURES

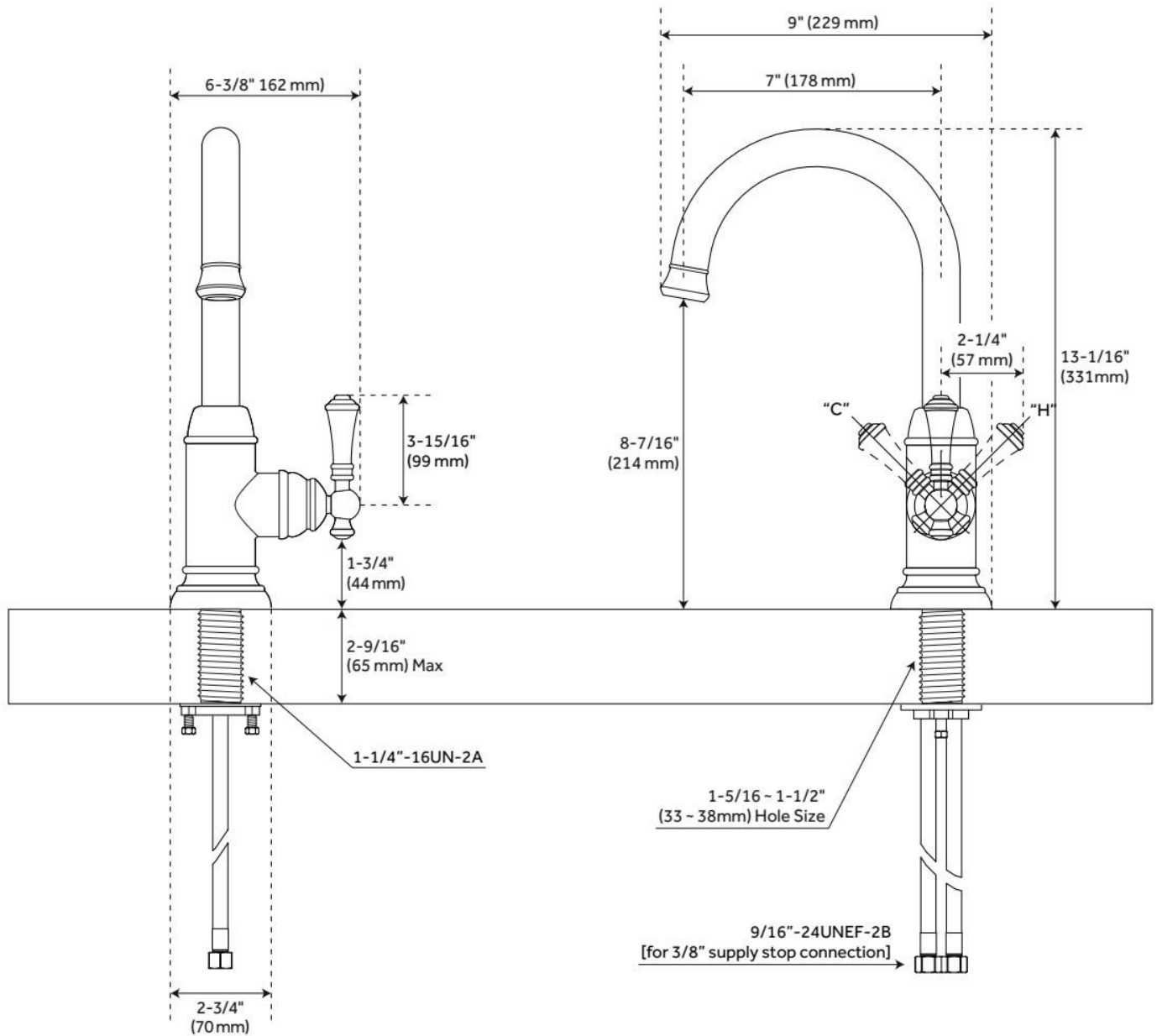
- Non-kink nylon hose.
- Metal lever handle.

REVISED 5/14/2024

AMBERLEY SINGLE-HOLE BAR FAUCET

SKU: 948522

Code: SHXCAM137



REVISED 5/14/2024