

KELPER

PFWSC9857 SINGLE HANDLE LAVATORY FAUCET



Product Features

- Max. flow rate: 1.2 gpm (4.54 L/min) at 60 psi
- Metal lever handle
- Ceramic disc cartridge
- Quick install 50/50 pop-up drain assembly
- Nylon inlet hose

Optional Parts

Deck Plate	OBPF19850*
Drain Lift Rod Extension	PF352NA
Drain Horizontal Pivot Rod Extension	OBPFF40018
1.0 GPM Aerator	Neoperl 45.2058.220

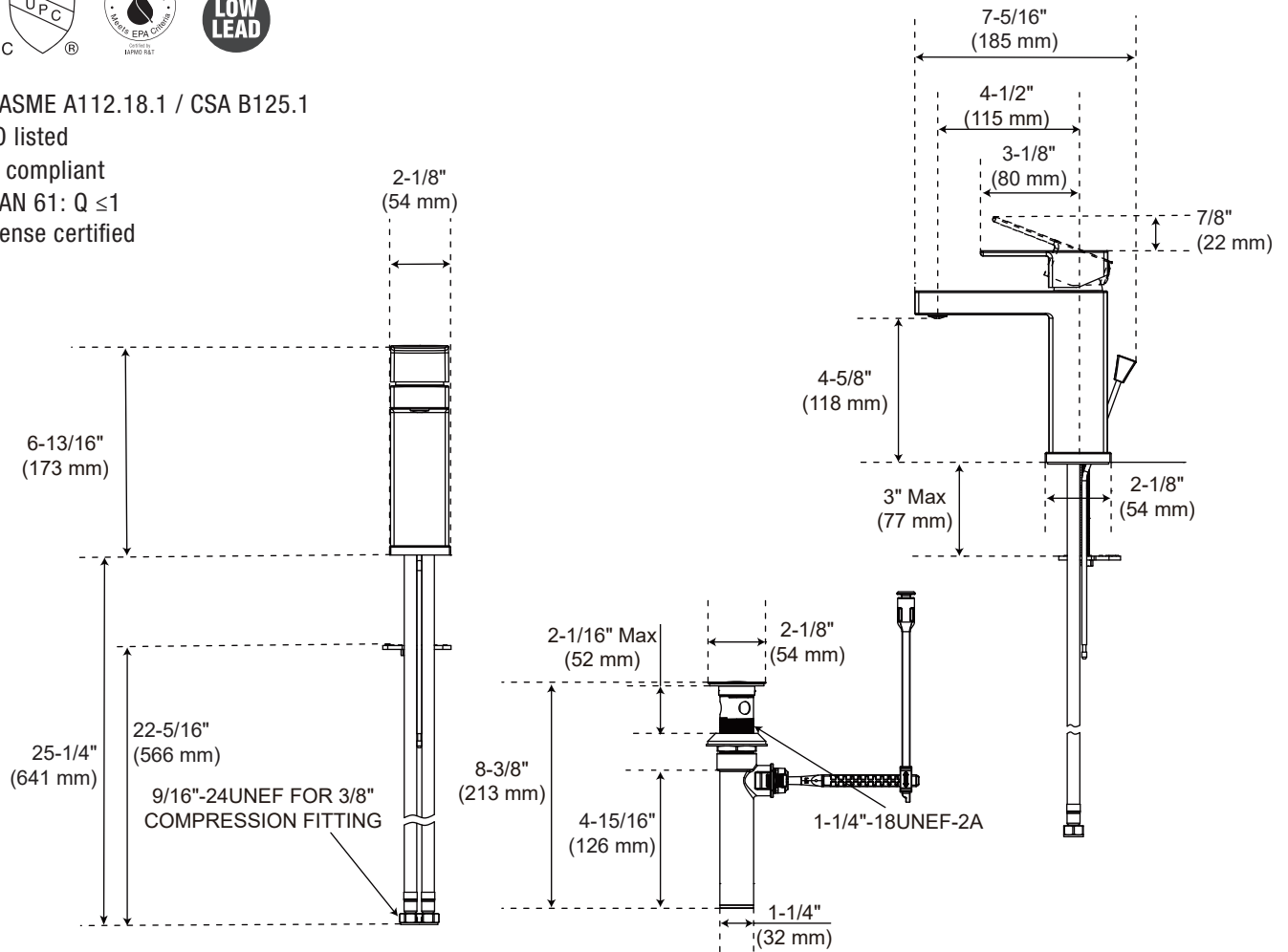


Codes and Certifications



- Certified to ASME A112.18.1 / CSA B125.1
- cUPC/IAPMO listed
- Handle ADA compliant
- NSF/ANSI/CAN 61: Q ≤ 1
- EPA WaterSense certified

PFWSC9857



For detailed warranty information, visit ferguson.com/proflo-faucet-warranty.