

PROVINCETOWN CENTERSET BATHROOM FAUCET

SKU: 948569

Code: SHWSCP407



FEATURES

Material: Metal construction for strength and durability

Faucet Centers: 4"

Installation Type: Centerset

Flow Rate: 1.2 gpm (4.5 L/min) @ 60 psi

Cartridge Type: Ceramic Disc

Swivel Spout: No

Drain Type: Lift rod metal pop-up with overflow

ASME A112.18.1/CSA B125.1, NSF/ANSI 372, NSF/ANSI 61, NSF/ANSI/CAN 61, NSF/ANSI/CAN 61-9:Q≤1, ICC/ANSI A117.1, CEC Listed, WaterSense by IAPMO, Massachusetts Accepted, LISTED ID: SHWSCP407*



ADDITIONAL FEATURES

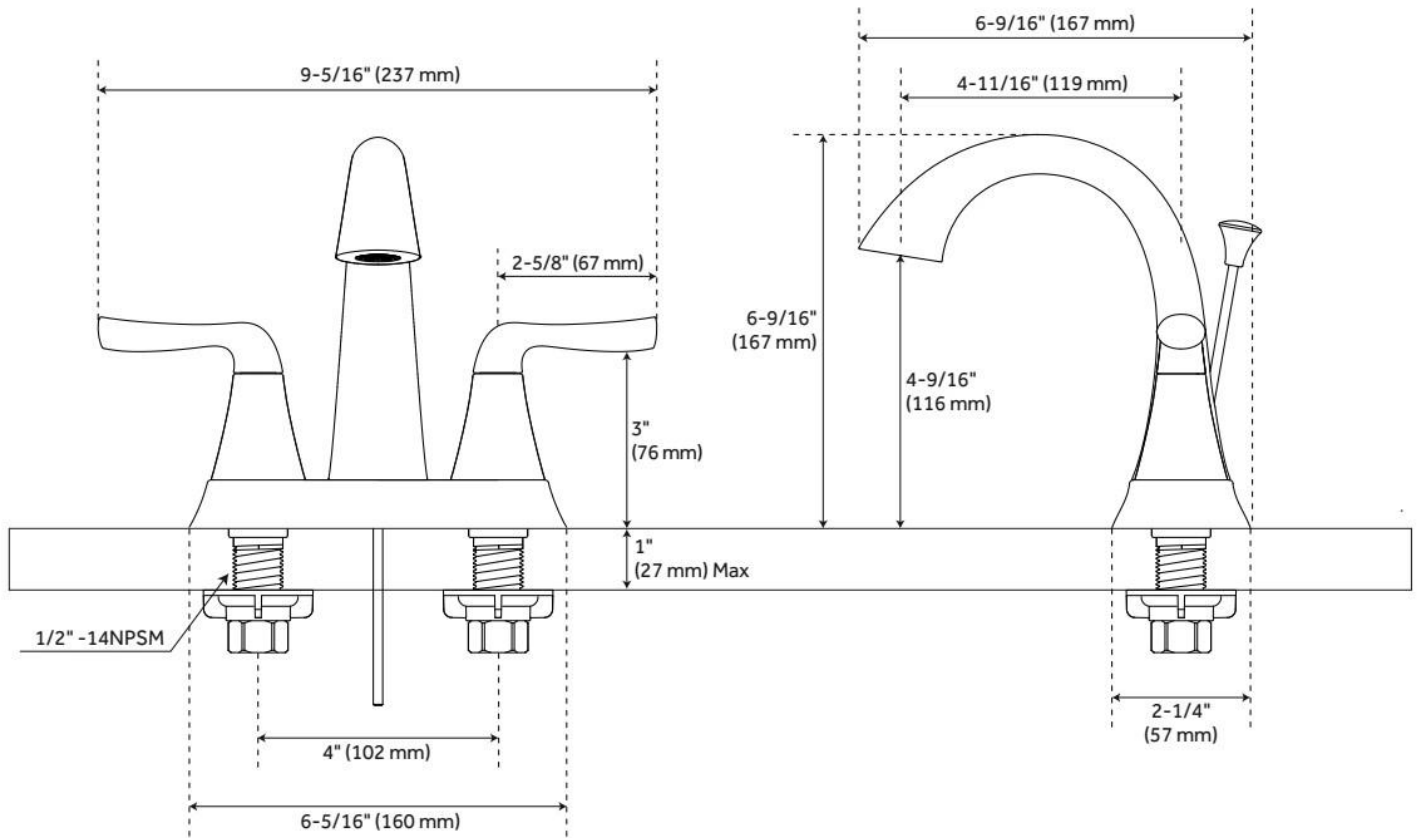
- Drain is only compatible with sinks that have an overflow.
- Requires 3-hole installation.
- Metal handles.

REVISED 9/17/2025

PROVINCETOWN CENTERSET BATHROOM FAUCET

SKU: 948569

Code: SHWSCP407

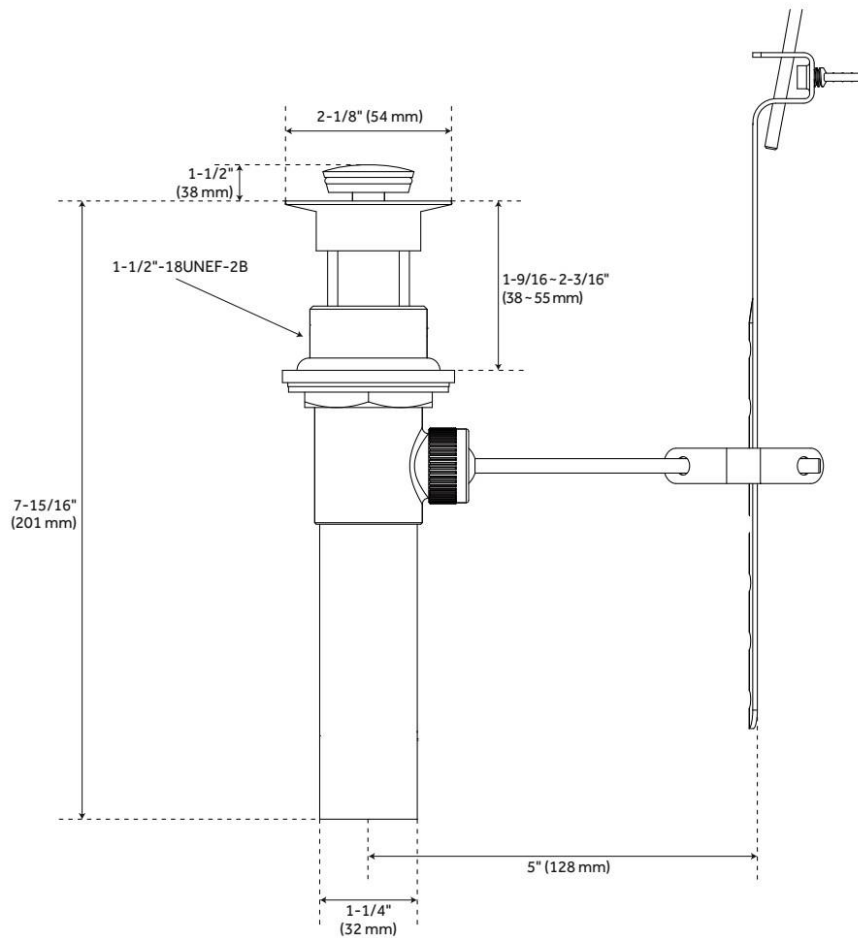


REVISED 9/17/2025

PROVINCETOWN CENTERSET BATHROOM FAUCET

SKU: 948569

Code: SHWSCP407



REVISED 9/17/2025