

# PFXC4117 SINGLE HANDLE KITCHEN FAUCET WITH SIDE SPRAY



## Product Features

- Max. flow rate: 1.5 gpm (5.7 L/min) at 60 psi
- Metal lever handle
- Ceramic disc cartridge
- 4 hole installation
- With side sprayer
- With 360° swivel spout



## Optional Parts

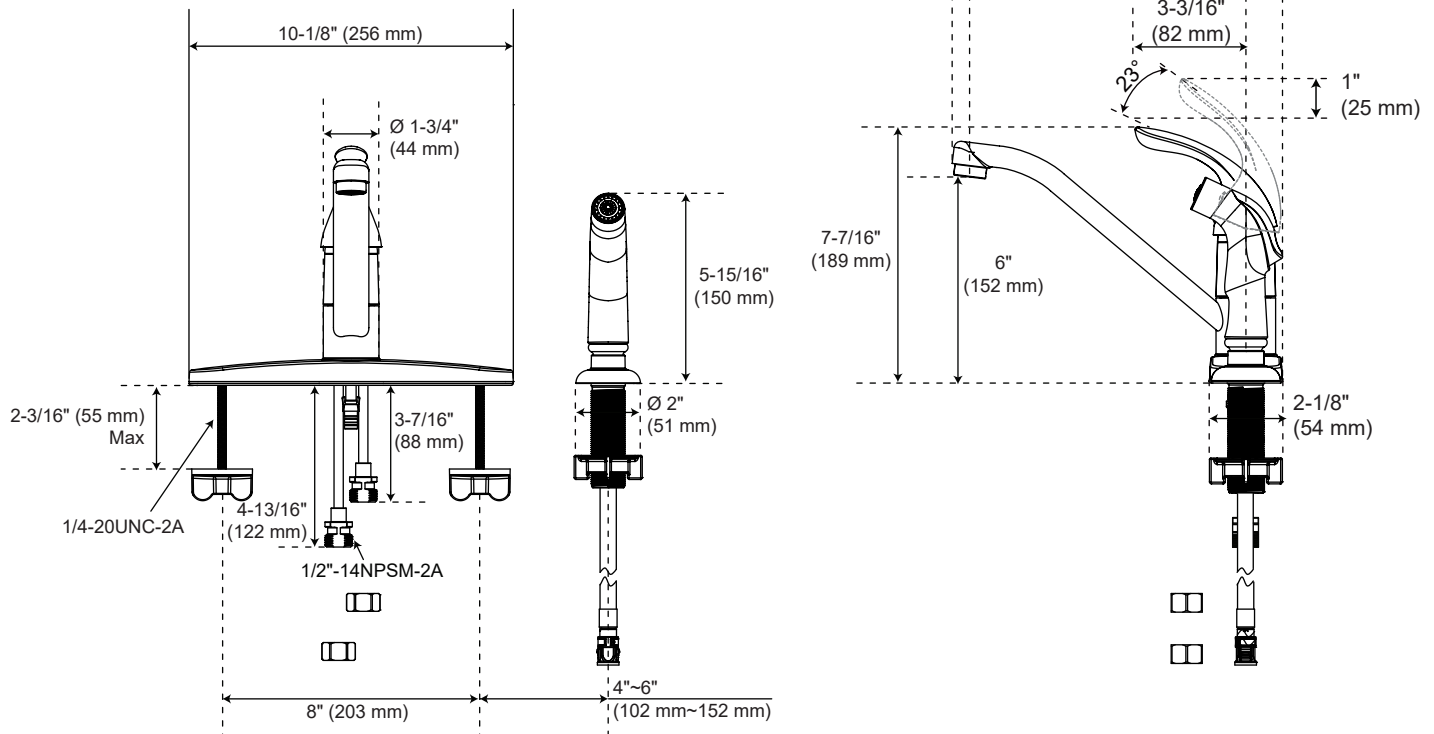
- 1.0 GPM Aerator Neoperl 40.2058.000
- 0.5 GPM Aerator OBPF530223CP

**PFXC4117**

## Codes and Certifications



- Certified to ASME A112.18.1 / CSA B125.1
- cUPC/IAPMO listed
- Handle ADA compliant
- NSF/ANSI/CAN 61: Q ≤1



For detailed warranty information, visit [ferguson.com/proflo-faucet-warranty](http://ferguson.com/proflo-faucet-warranty).