

# PFXC4111

## Single Handle Kitchen Faucet With Side Spray



### Product Features

- 4 hole installation
- Max. flow rate: 1.5 GPM at 60 PSI
- Metal lever handle
- Ceramic disc cartridge
- With side spray
- Max deck thickness: 2-3/16"
- 1/2" IPS connections
- Brass body construction
- With 360° swivel spout
- Meets ANSI:A112.18.1M
- NSF 61 compliant
- cUPC/IAPMO listed



PFXC4111CP

### Product Specifications

#### Model Numbers

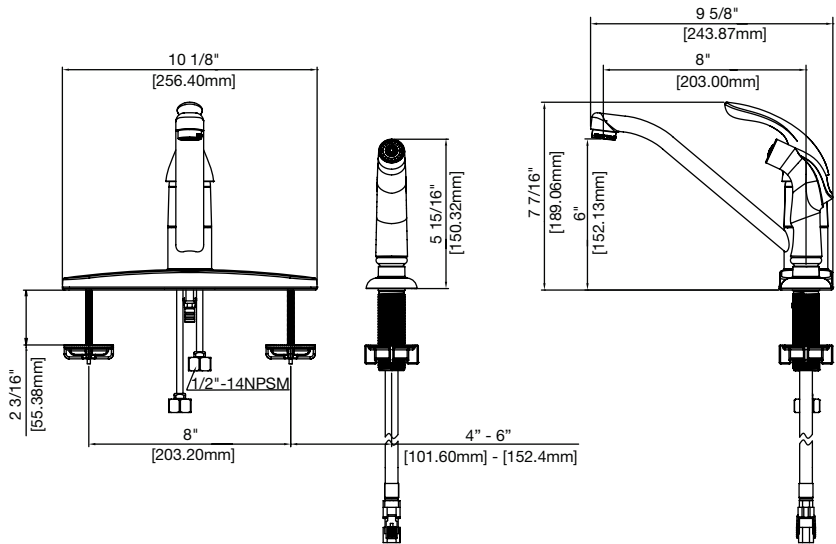
- PFXC4111CP chrome  
PFXC4111BN brushed nickel

#### Optional Accessories

- PFX14322 .5 gpm aerator  
PFX14323 1.0 gpm aerator

#### Available Parts

- PF3357061 Cartridge  
PF3606301CP Chrome Side Spray with Hose  
PF3606304BN Brushed Nickel Side Spray with Hose



### Warranty and Codes

This product comes complete with installation, operating, care and maintenance instructions. This PROFLO faucet carries a limited lifetime warranty when installed in residential applications. The warranty is five years in commercial applications. This product meets ANSI: A112.18.1M. \*Compliant with lead content requirements of US Senate Bill S.3874

