

PFXC3107 SINGLE HANDLE KITCHEN FAUCET



Product Features

- Max. flow rate: 1.5 gpm (5.7 L/min) at 60 psi
- Metal lever handle
- Ceramic disc cartridge
- 3-hole sink with 8" on-center installation
- Without side sprayer



Optional Parts

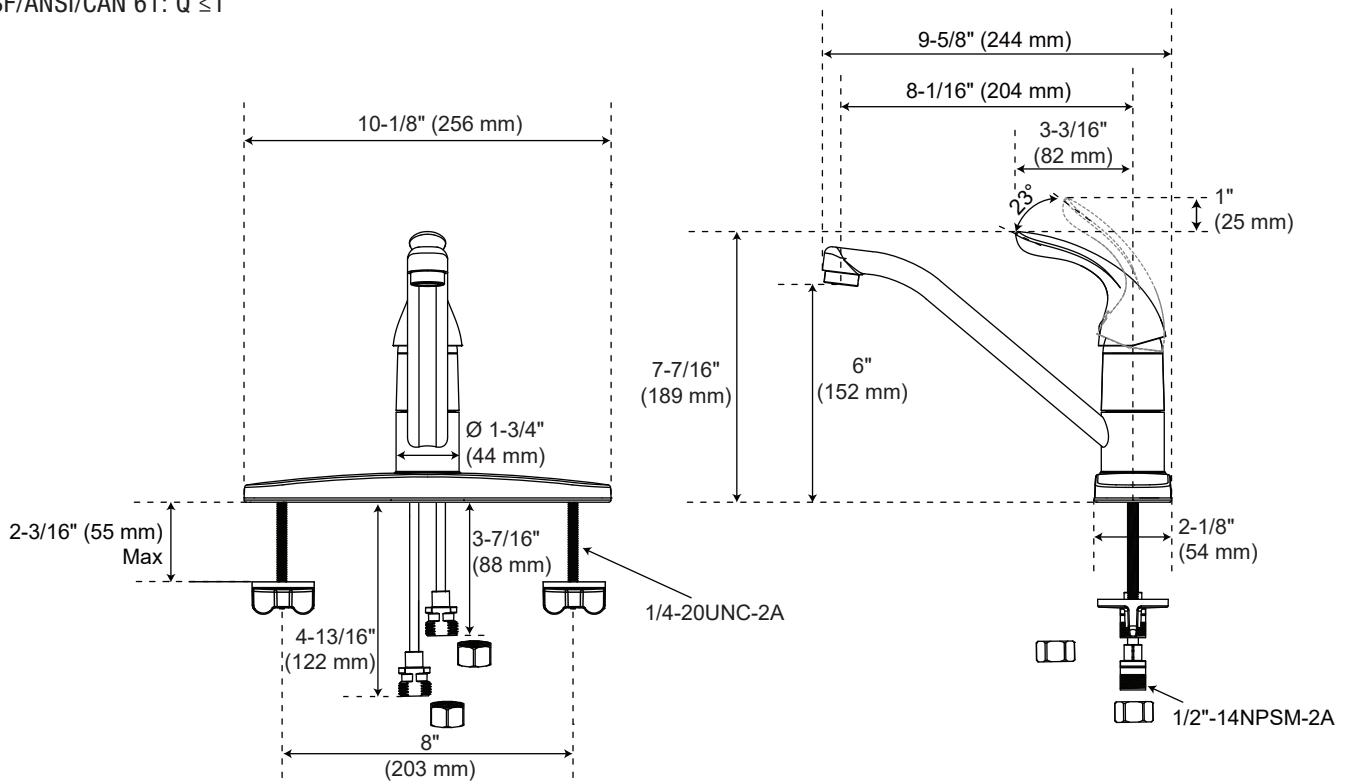
- 1.0 GPM Aerator Neoperl 40.2058.000
- 0.5 GPM Aerator OBPF530223CP

PFXC3107

Codes and Certifications



- Certified to ASME A112.18.1 / CSA B125.1
- cUPC/IAPMO listed
- Handle ADA compliant
- NSF/ANSI/CAN 61: Q ≤1



For detailed warranty information, visit ferguson.com/proflo-faucet-warranty.