

ALVORD

PFWSC6857 SINGLE HANDLE LAVATORY FAUCET



Product Features

- Max. flow rate: 1.2 gpm (4.54 L/min) at 60 psi
- Metal lever handle
- Ceramic disc cartridge
- Brass pop-up drain assembly



Optional Parts

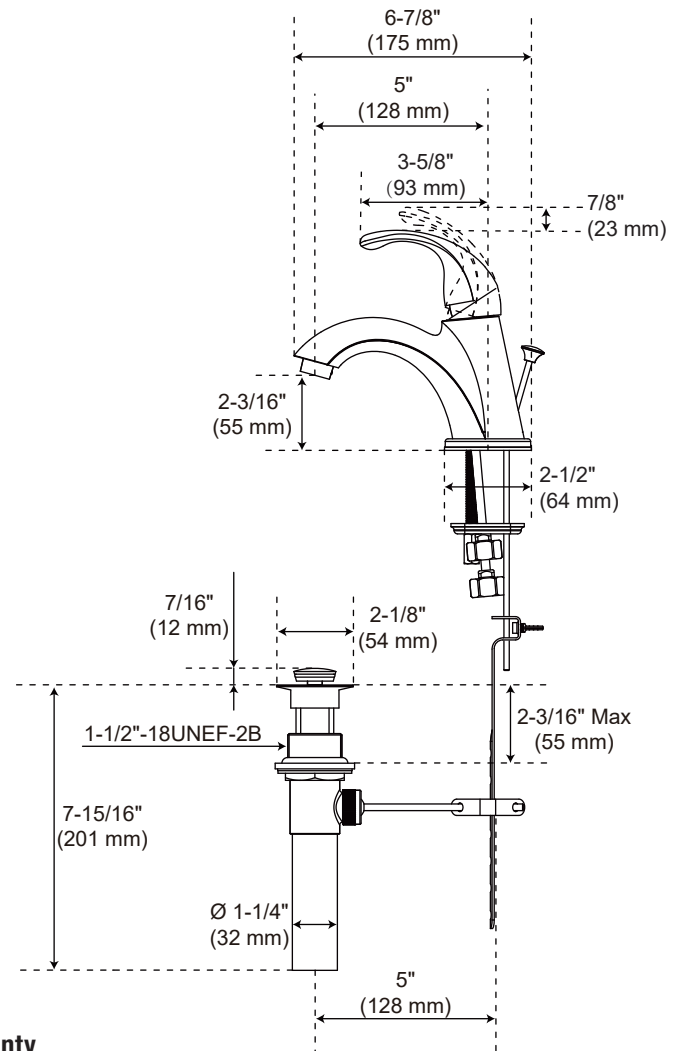
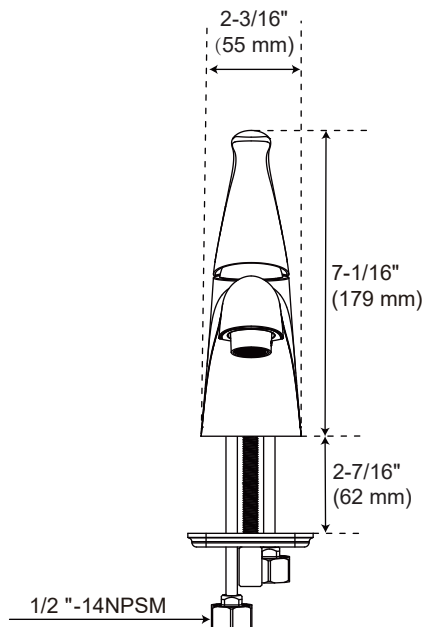
Deck Plate	OBPF180470*
Drain Lift Rod Extension	PF351NA
0.5 GPM Aerator	OBPF530223*
1.0 GPM Aerator	Neoperl 40.2058.000

Codes and Certifications



- Certified to ASME A112.18.1 / CSA B125.1
- cUPC/IAPMO listed
- Handle ADA compliant
- NSF/ANSI/CAN 61: Q ≤ 1
- EPA WaterSense certified

PFWSC6857



For detailed warranty information, visit ferguson.com/proflo-faucet-warranty.