

WILLETT

PFWSC2857 SINGLE HANDLE LAVATORY FAUCET



Product Features

- Max. flow rate: 1.2 gpm (4.5 L/min) at 60 psi
- Metal lever handle
- Ceramic disc cartridge
- With press pop-up assembly
- Optional deck plate included
- Two-function sprayer: stream and aerated spray
- With 3/8" compression x 29-1/2" flexible connectors

Optional Parts

- 1.0 GPM Aerator PFX443058
- 0.5 GPM Aerator OBPF5447159

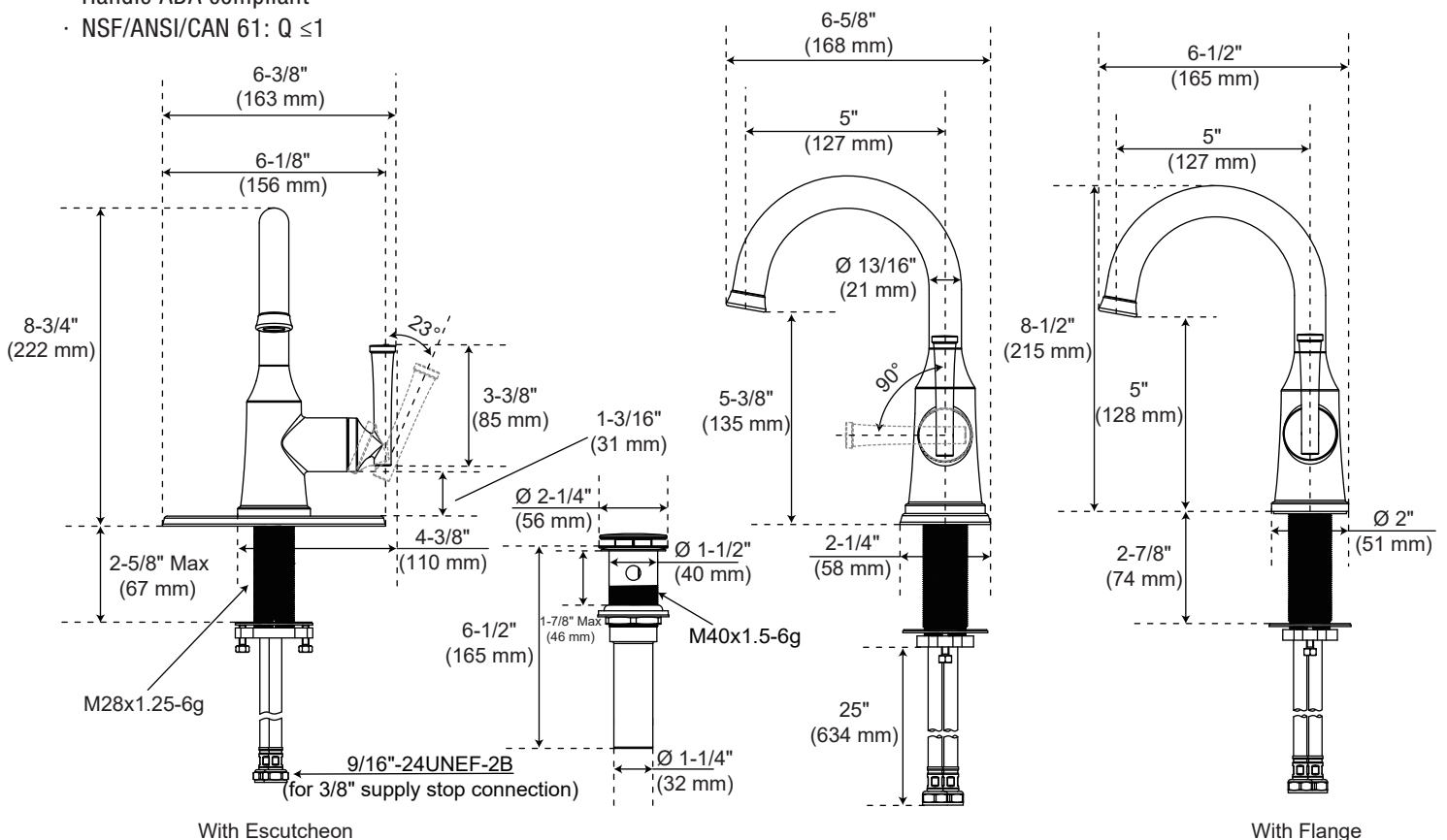
Codes and Certifications



- Certified to ASME A112.18.1 / CSA B125.1
- cUPC/IAPMO listed
- Handle ADA compliant
- NSF/ANSI/CAN 61: Q ≤ 1



PFWSC2857



For detailed warranty information, visit ferguson.com/proflo-faucet-warranty.