

BARTLETT

# PFWSC4847 TWO HANDLE LAVATORY FAUCET



## Product Features

- Max. flow rate: 1.2 gpm (4.5 L/min) at 60 psi
- Metal lever handle
- Ceramic Disc Cartridges
- Requires 3-hole sink with 4" on-center
- With brass pop-up assembly

## Optional Parts

1.0 GPM Aerator	OBPF514321
0.5 GPM Aerator	OBPF530224*
Thick Deck Extension Kit	OBPF23644EXT
Drain Lift Rod Extension	PF351NA

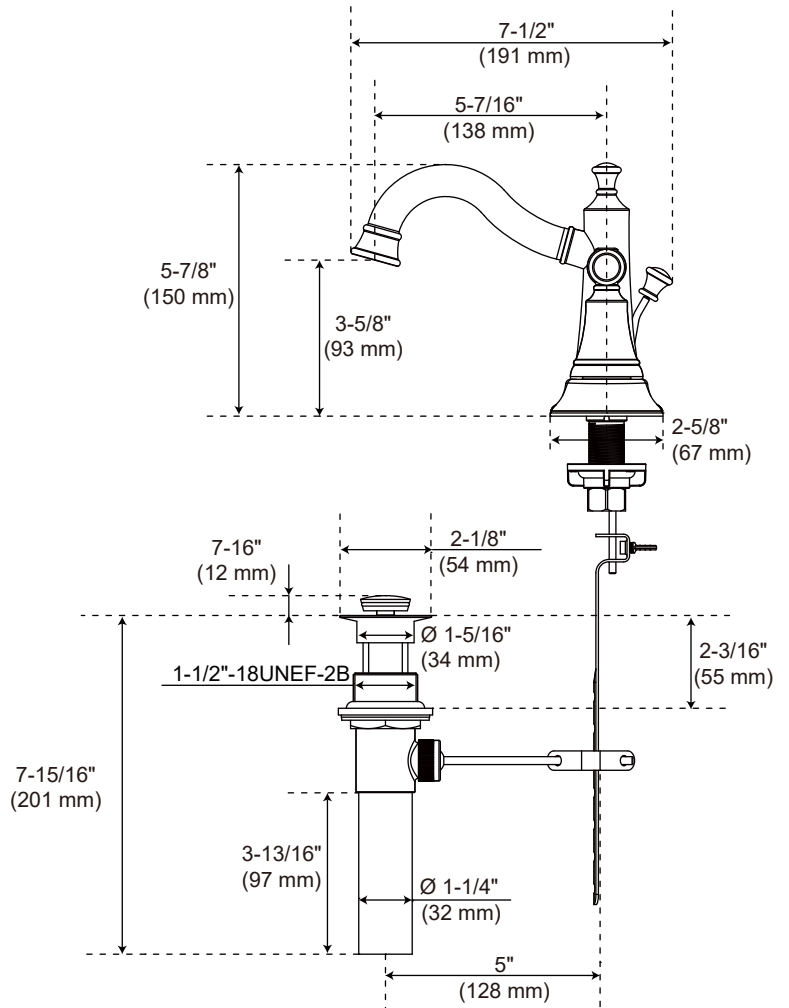
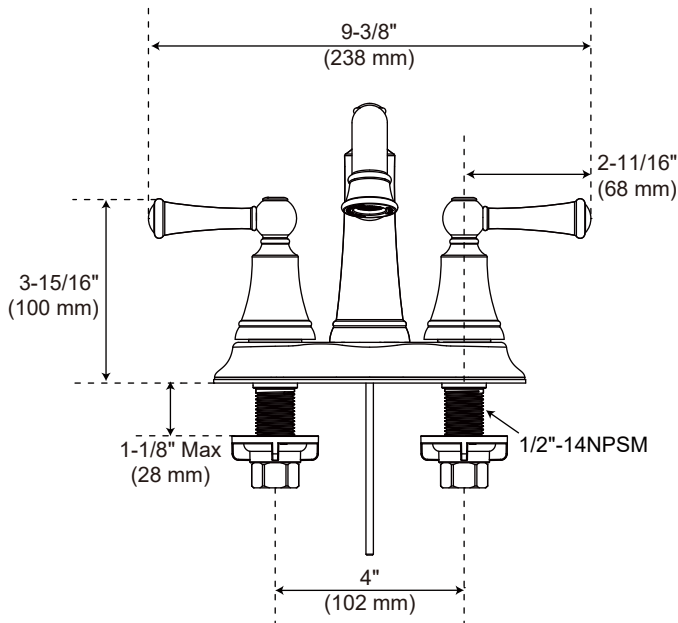


**PFWSC4847**

## Codes and Certifications



- Certified to ASME A112.18.1 / CSA B125.1
- cUPC/IAPMO listed
- Handle ADA compliant
- NSF/ANSI/CAN 61: Q ≤1
- Watersense certified



For detailed warranty information, visit [ferguson.com/proflo-faucet-warranty](https://ferguson.com/proflo-faucet-warranty).