

### Features

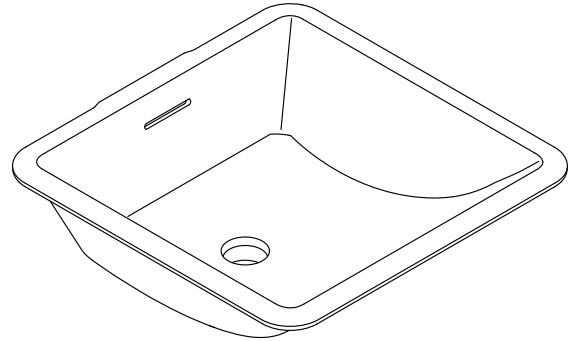
- No faucet holes; requires wall- or counter-mount faucet.
- With overflow.
- Square basin.

### Material

- Vitreous china.

### Installation

- Undermount.



ADA

CSA B651

OBC

### Codes/Standards

ASME A112.19.2/CSA B45.1

ADA

ICC/ANSI A117.1

CSA B651

OBC

### KOHLER® One-Year Limited Warranty

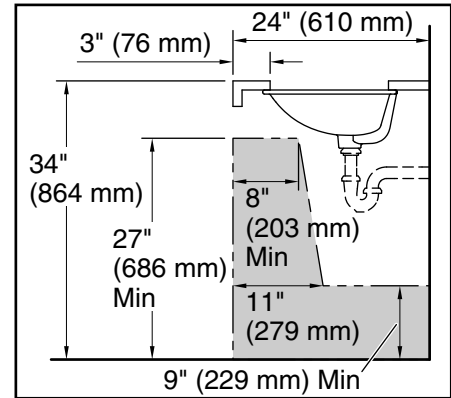
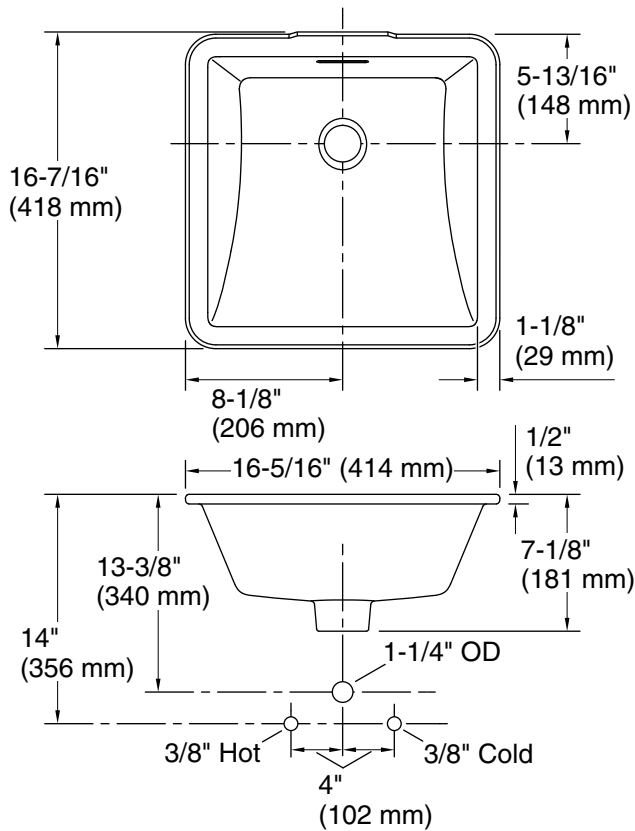
See website for detailed warranty information.

### Available Colors/Finishes

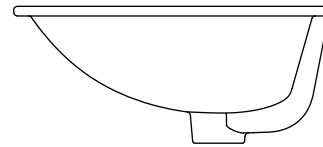
*Color tiles intended for reference only.*

Color	Code	Description
-------	------	-------------

0



**Recommended ADA Installation**



### Technical Information

All product dimensions are nominal.

Installation: Undermount

Drain hole: 1-3/4" (45 mm)

### Notes

Install this product according to the installation instructions.

**NOTICE:** Countertop manufacturer or cutter must use the cut-out template provided with the product, or a current one provided by Kohler Co. (call 1-800-4-KOHLER). Kohler Co. is not responsible for cutout errors when the incorrect cut-out template is used.

ADA, OBC, CSA B651 compliant when installed to the specific requirements of these regulations.