



# Brazn™ Rectangle

Vessel bathroom sink with single faucet hole  
**K-21059-1**

## Features

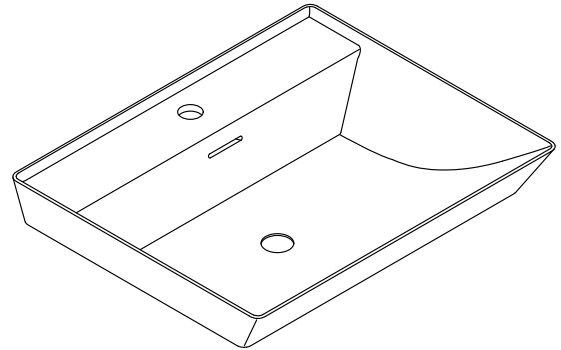
- Single faucet hole.
- With overflow.
- Rectangular basin.

## Material

- Vitreous china.

## Installation

- Vessel.



ADA

CSA B651

OBC

## Codes/Standards

ASME A112.19.2/CSA B45.1

ADA

ICC/ANSI A117.1

CSA B651

OBC

## KOHLER® One-Year Limited Warranty

See website for detailed warranty information.

## Available Colors/Finishes

*Color tiles intended for reference only.*

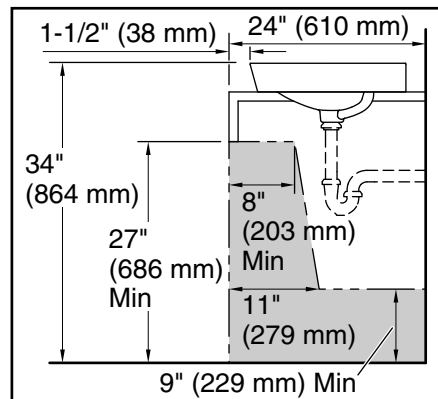
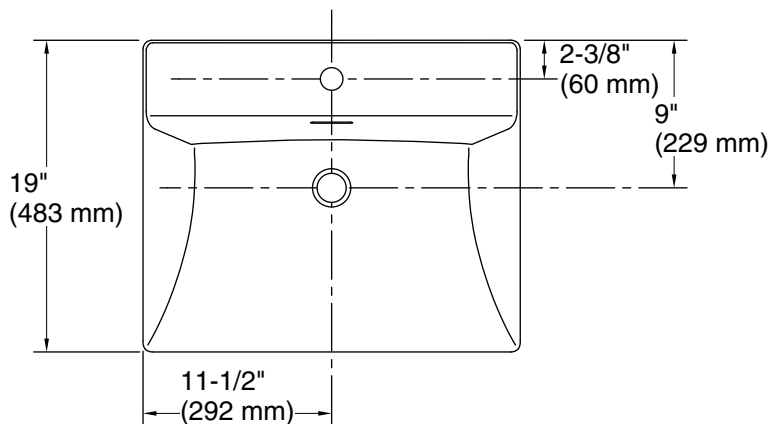
Color	Code	Description
-------	------	-------------

0

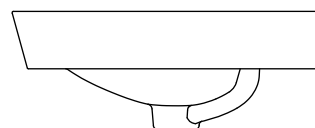
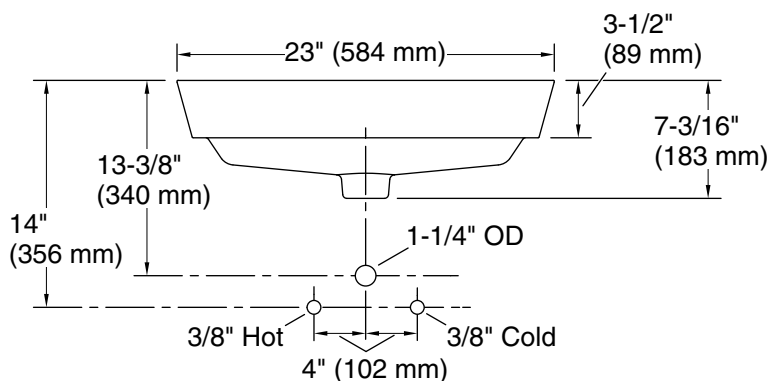


# Brazn™ Rectangle

Vessel bathroom sink with single faucet hole  
K-21059-1



Recommended ADA Installation



## Technical Information

All product dimensions are nominal.

Installation: Vessel

Drain hole: 1-3/4" (45 mm)

## Notes

Install this product according to the installation instructions.

NOTICE: Countertop manufacturer or cutter must use the cut-out template provided with the product, or a current one provided by Kohler Co. (call 1-800-4-KOHLER). Kohler Co. is not responsible for cutout errors when the incorrect cut-out template is used.

ADA, OBC, CSA B651 compliant when installed to the specific requirements of these regulations.