

PFWSCM1M1087 GERALD Single Handle Lavatory Faucet



Model Numbers

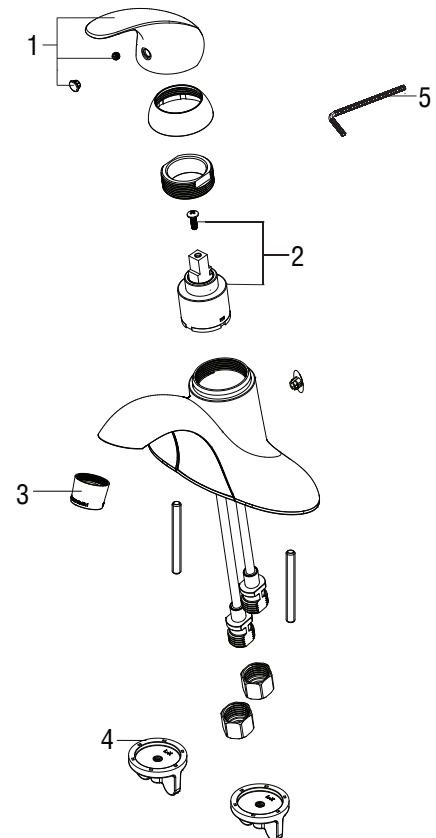
PFWSCM1M1087 Chrome MPID#:7286081
 PFWSCM1M1087ZBN Brushed nickel MPID#:7286092

No.	Item	Part Number	Material Type
1	Handle	OBPF713536*	Zinc Alloy
2	Cartridge	OBPF220094	Ceramic
3	Aerator	OBPF530190*	Plastic
4	Mounting nut	OBPF156109	Plastic
5	2.5mm Hex allen wrench	OBPF1RP70221	Steel

*indicate finish



PFWSCM1M1087



Warranty and Codes

This product comes complete with installation, operating, care and maintenance instructions. This PROFLO faucet carries a limited lifetime warranty when installed in residential applications. The warranty is five years in commercial applications. Certified to ASME A112.18.1.
 *Compliant with lead content requirements of California AB1953

