

CABARTON

# PFWSC4957 SINGLE HANDLE LAVATORY FAUCET



## Product Features

- Max. flow rate: 1.2 gpm (4.54 L/min) at 60 psi
- Metal lever handle
- Ceramic disc cartridge
- Press pop-up drain assembly
- Brass construction
- Optional deck plate included

## Optional Parts

- 0.5 GPM Aerator      OBPF530223\*
- 1.0 GPM Aerator      Neoperl 40.2058.000

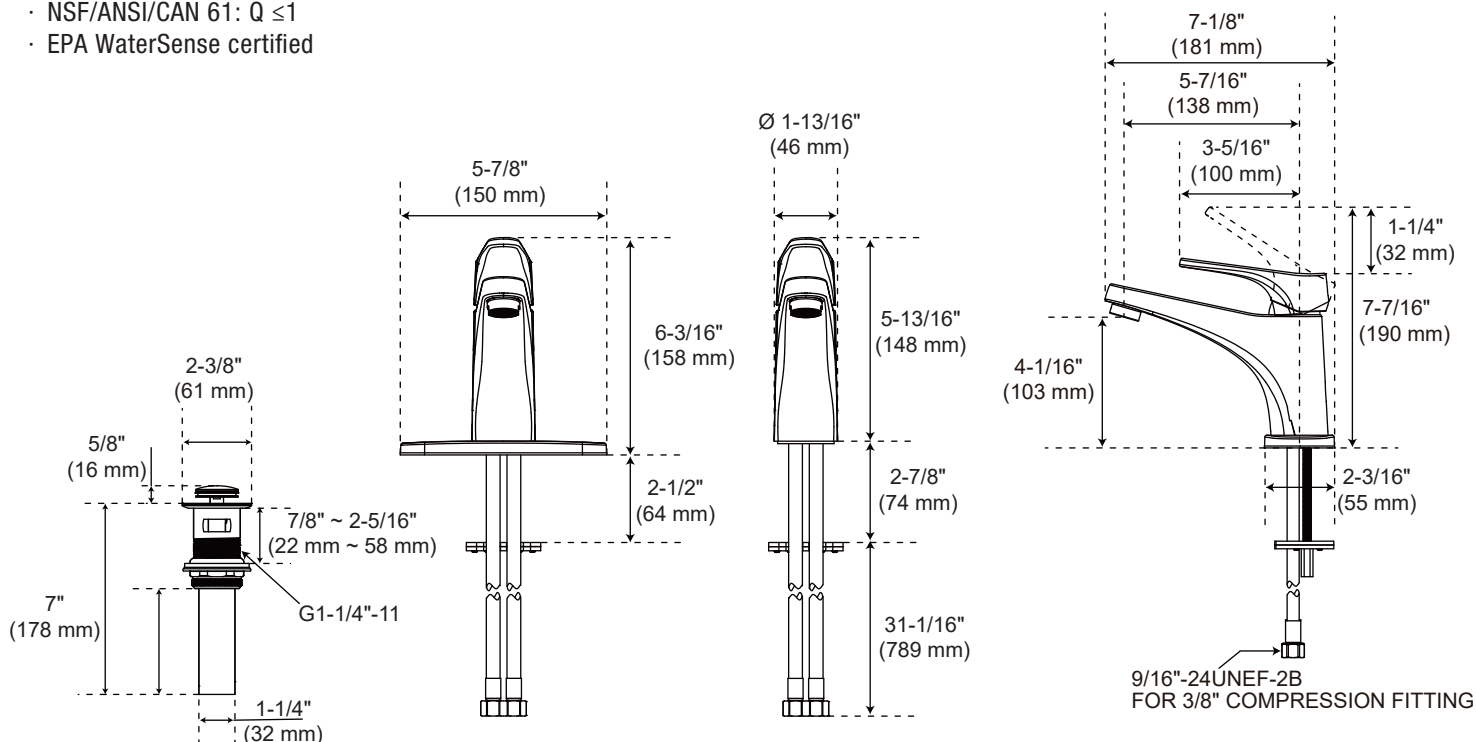


## Codes and Certifications

PFWSC4957



- Certified to ASME A112.18.1 / CSA B125.1
- cUPC/IAPMO listed
- Handle ADA compliant
- NSF/ANSI/CAN 61: Q ≤1
- EPA WaterSense certified



For detailed warranty information, visit [ferguson.com/proflo-faucet-warranty](https://ferguson.com/proflo-faucet-warranty).