

PFWSC4957

Cabarton SINGLE HANDLE LAVATORY FAUCET



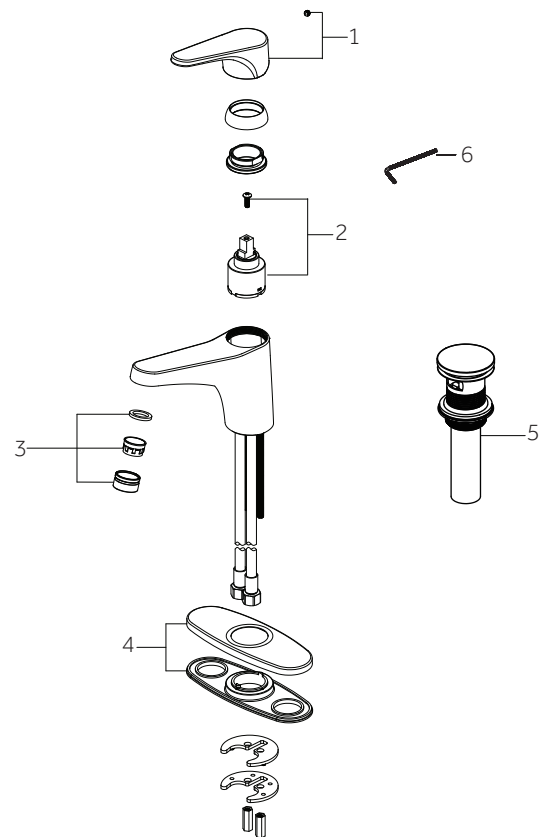
Model Numbers

PFWSC4957CP Chrome
 PFWSC4957ZBN Brushed nickel

No.	Item	Part Number	Material Type
1	Handle	OBPF7F13047*	Zin alloy
2	Cartridge	OBPF220094	Ceramic
3	Aerator	OBPF530210*	Brass
4	Escutcheon	OBPF180431*	Brass
5	Press Pop-up Assembly	OBPF940196*	Brass
6	2.5 Hex Allen Wrench	OBPF1RP70221	Steel



PFWSC4957CP



Warranty and Codes

This product comes complete with installation, operating, care and maintenance instructions. This PROFLO faucet carries a limited lifetime warranty when installed in residential applications. The warranty is five years in commercial applications. Certified to ASME A112.18.1.
 *Compliant with lead content requirements of California AB1953

