

SPEC

# PFXC5017

## Single Handle Pre-Rinse Kitchen Faucet



### Product Features

- Max. flow rate: 1.5 gpm at 60 psi
- 1 or 3 hole installation
- Optional deck plate included
- Ceramic disc cartridge
- Two-function sprayer: steam and full spray
- Installation, operating, care and maintenance instructions included
- Limited lifetime warranty
- Certified to ASME A112.18.1/CSA B125.1
- NSF/ANSI/CAN61: Q ≤ 1
- cUPC/IAPMO listed
- ADA compliant

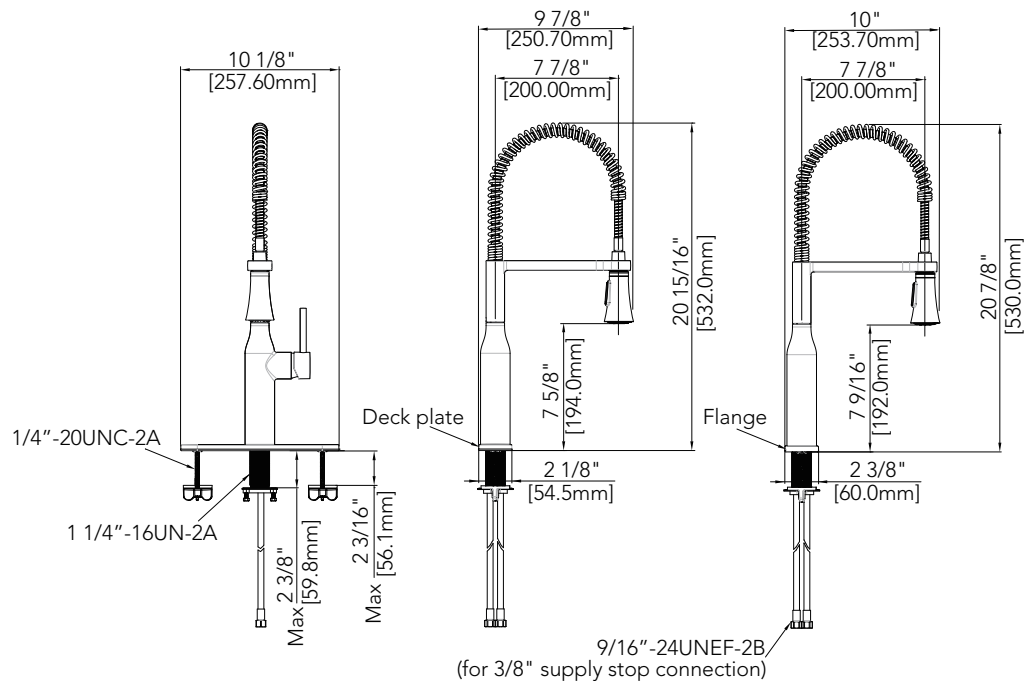


**PFXC5017CP**

### Model Numbers

PFXC5017CP	Chrome
PFXC5017ZBN	Brushed nickel
PFXC5017MB	Matte black

### Product Specifications



### Available Parts

OBPF220094 Cartridge

### Warranty and Codes

This product comes complete with installation, operating, care and maintenance instructions. This PROFLO faucet carries a limited lifetime warranty when installed in residential applications. The warranty is five years in commercial applications.

\*Compliant with lead content requirements of California AB 1953.

