

PFWSC3017 SINGLE HANDLE LAVATORY FAUCET



Product Features

- Max. flow rate: 1.2 gpm (4.5 L/min) at 60 psi
- Metal handle
- Ceramic Disc Cartridges
- 3-hole 4" on-center installation
- With 50/50 pop-up drain

Optional Parts

- | | |
|-----------------|---------------------|
| 1.0 GPM Aerator | Neoperl 40.2058.000 |
| 0.5 GPM Aerator | OBPF530223CP |

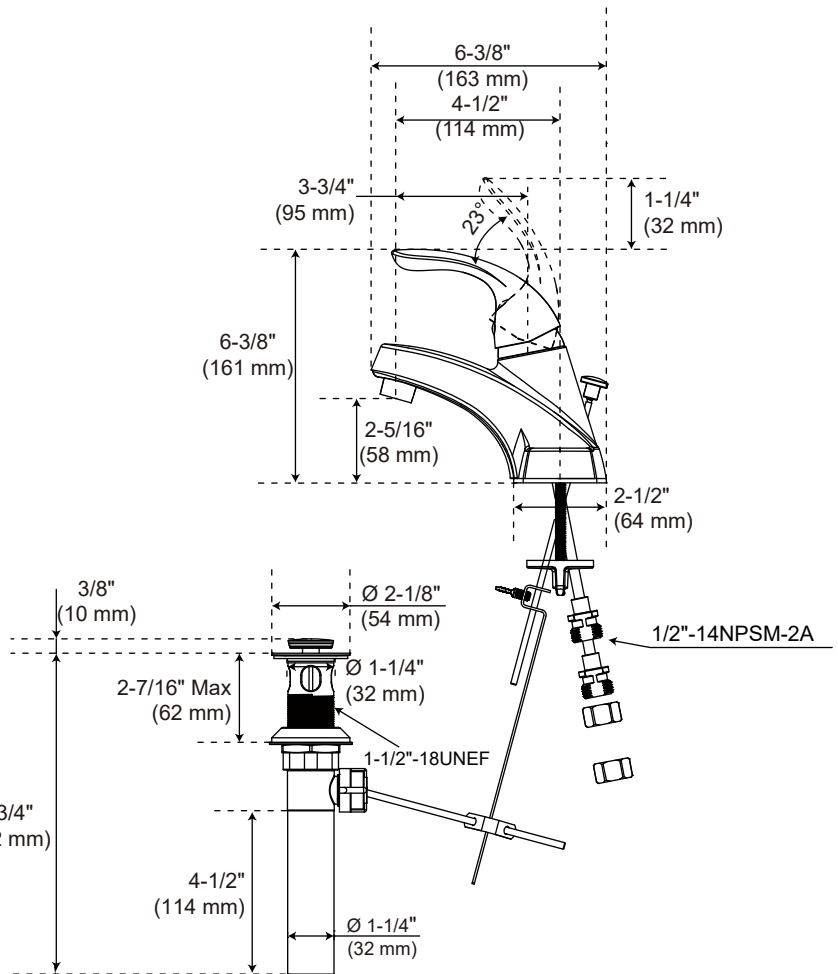
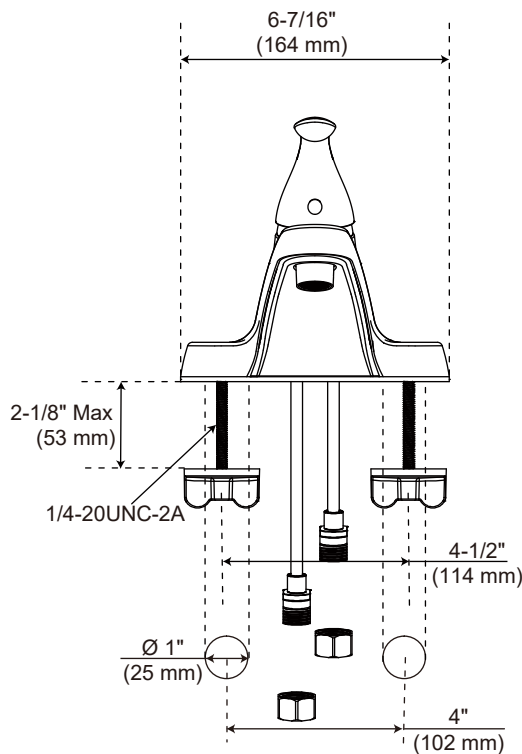


PFWSC3017

Codes and Certifications



- Certified to ASME A112.18.1 / CSA B125.1
- cUPC/IAPMO listed
- Handle ADA compliant
- NSF/ANSI/CAN 61: Q ≤1
- Watersense certified



For detailed warranty information, visit ferguson.com/proflo-faucet-warranty.