

PFXC5157 SINGLE HANDLE PULL-OUT KITCHEN FAUCET



Product Features

- Max. flow rate: 1.5 gpm (5.7 L/min) at 60 psi
- Metal handle
- Ceramic disc cartridge
- Single hole or 3-hole sink installation
- With 2-function sprayer
- With 1/2"-14NPSM-2A x 12-1/8" flexible connectors



Optional Parts

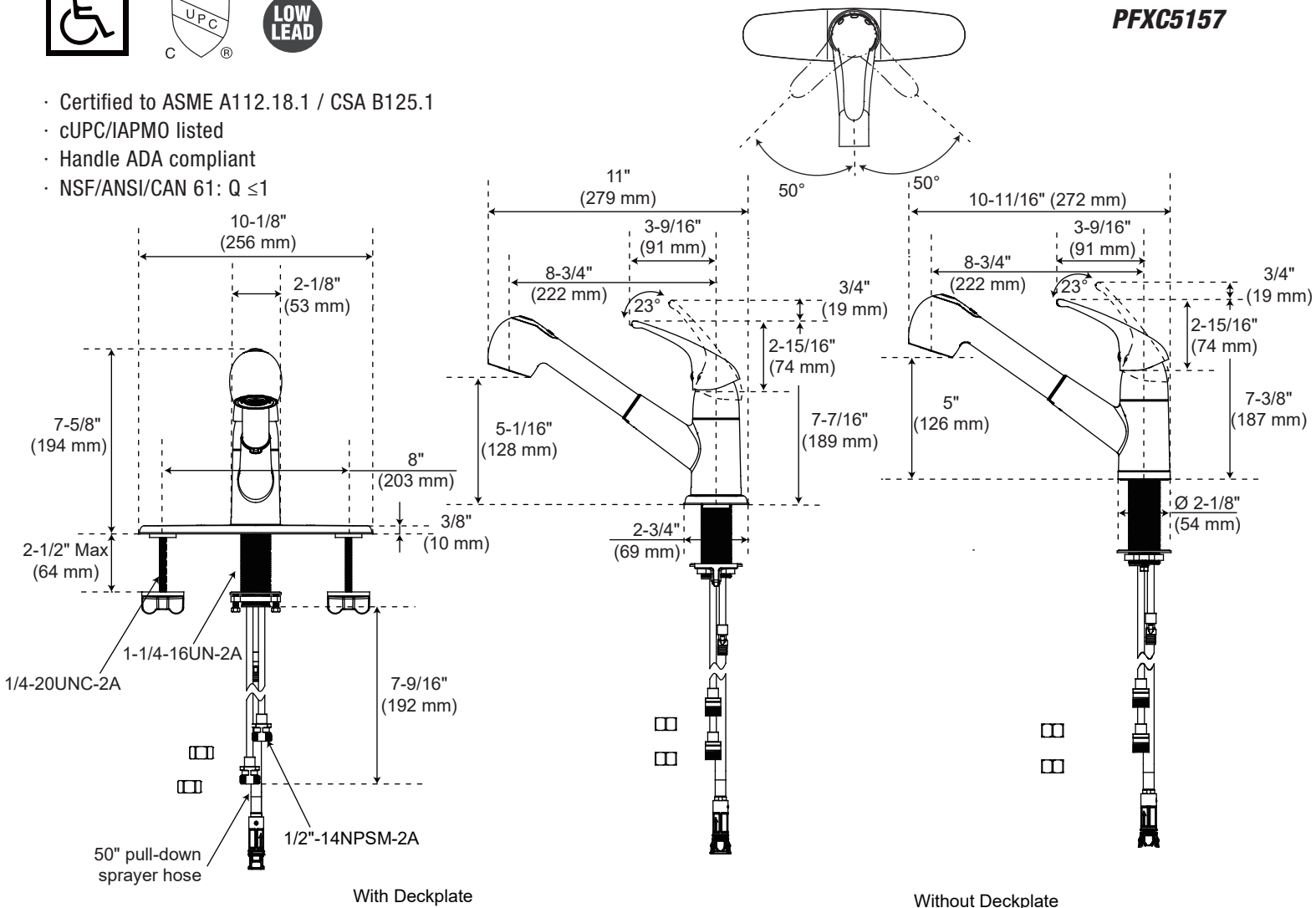
Deck Plate OBPF180276*

Codes and Certifications



- Certified to ASME A112.18.1 / CSA B125.1
- cUPC/IAPMO listed
- Handle ADA compliant
- NSF/ANSI/CAN 61: Q ≤ 1

PFXC5157



For detailed warranty information, visit ferguson.com/proflo-faucet-warranty.