

# PFXC5157 SINGLE HANDLE PULL-OUT KITCHEN FAUCET



## Product Features

- Max. flow rate: 1.5 gpm (5.7 L/min) at 60 psi
- Metal handle
- Ceramic disc cartridge
- Single hole or 3-hole sink installation
- With 2-function sprayer
- 1/2" IPS connections



## Optional Parts

Deck Plate

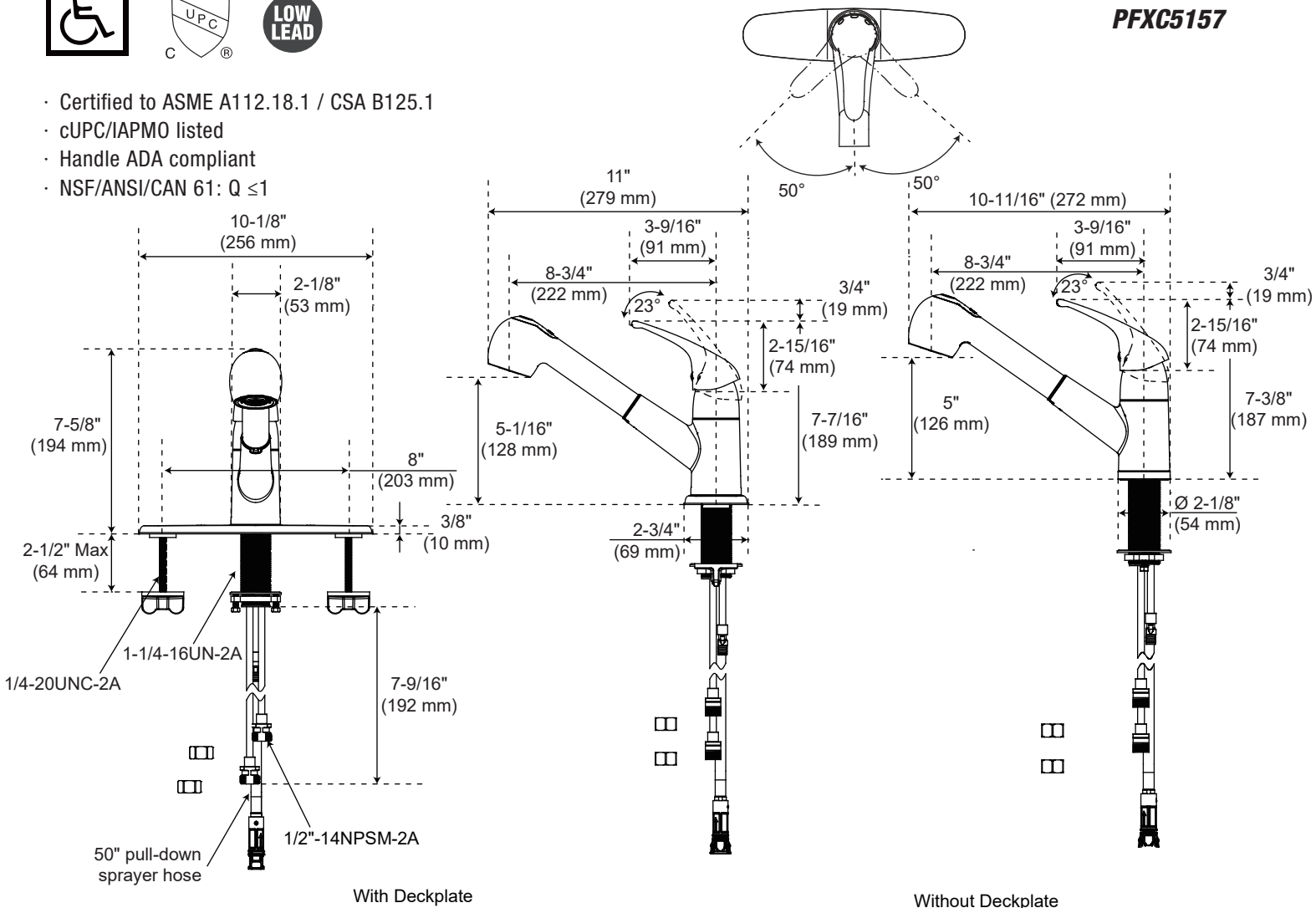
OBPF180276\*

## Codes and Certifications



- Certified to ASME A112.18.1 / CSA B125.1
- cUPC/IAPMO listed
- Handle ADA compliant
- NSF/ANSI/CAN 61: Q ≤ 1

PFXC5157



For detailed warranty information, visit [ferguson.com/proflo-faucet-warranty](https://ferguson.com/proflo-faucet-warranty).