

PFWSC4747

SINGLE HANDLE LAVATORY FAUCET



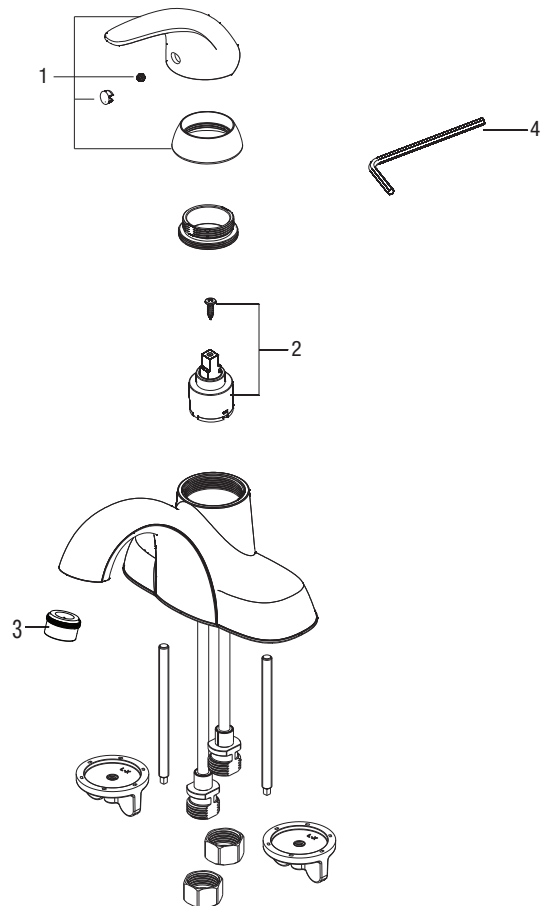
Model Numbers

PFWSC4747CP Chrome
 PFWSC4747ZBN Brushed nickel

No.	Item	Part Number	Material Type
1	Handle assembly	OBPF713240*	Zinc alloy
2	Cartridge	OBPF220045	Ceramic
3	Aerator	OBPF530211*	Brass
4	2.5mm Hex allen wrench	OBPF1RP70221	Steel



PFWSC4747CP



Warranty and Codes

This product comes complete with installation, operating, care and maintenance instructions. This PROFLO faucet carries a limited lifetime warranty when installed in residential applications. The warranty is five years in commercial applications. Certified to ASME A112.18.1.

*Compliant with lead content requirements of California AB1953



NSF/ANSI/CAN372
 NSF/ANSI/CAN 61-8 Qs1

