

PFXC7017

ORVIS SINGLE HANDLE PULL-DOWN KITCHEN FAUCET



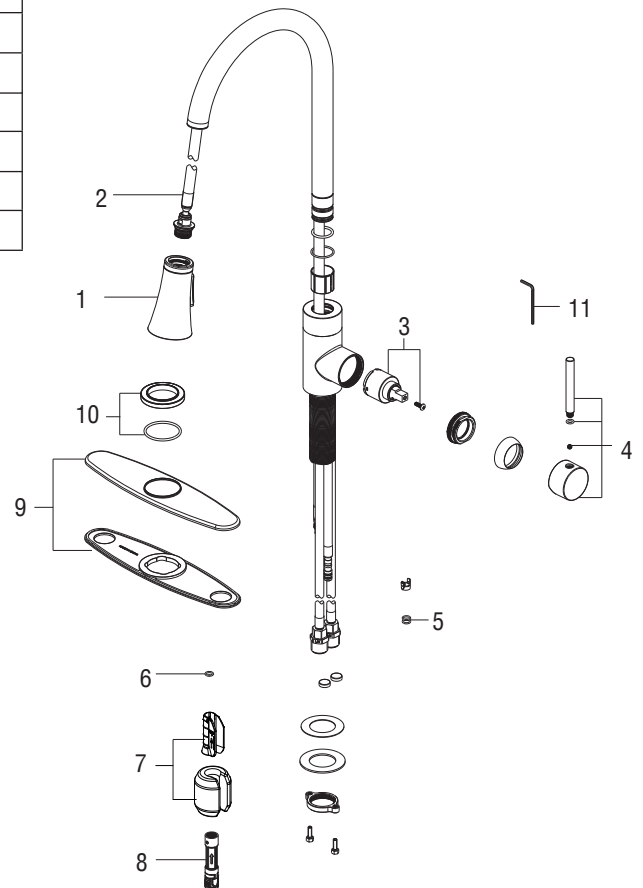
Model Numbers

PFXC7017CP	Chrome
PFXC7017ZBN	Brushed nickel
PFXC7017MB	Matte black

No.	Item	Part Number	Material Type
1	Sprayhead	OBPF638214*	ABS
2	Hose	OBPF870462A	Nylon_Briad
3	Cartridge	OBPF220094	Ceramic
4	Handle assembly	OBPF717126*	Zinc alloy
5	O-ring	OBPF60002	Rubber
6	O-ring	OBPF60024	Rubber
7	Weight & Weight clip	OBPF170817	Steel
8	Quick connector	OBPF670479	POM
9	Deck plate assembly	OBPF180427*	Steel
10	Flange assembly	OBPF1F80040*	Zinc alloy
11	2.5mm Hex allen wrench	OBPF1RP70221	Steel



PFXC7017CP



Warranty and Codes

This product comes complete with installation, operating, care and maintenance instructions. This PROFLO faucet carries a limited lifetime warranty when installed in residential applications. The warranty is five years in commercial applications. Certified to ASME A112.18.1.

*Compliant with lead content requirements of California AB1953

NSF/ANSI/CAN372
NSF/ANSI/CAN 61-9 Qs1

