



PFXC5017

BASQUE SINGLE HANDLE PRE-RINSE KITCHEN FAUCET

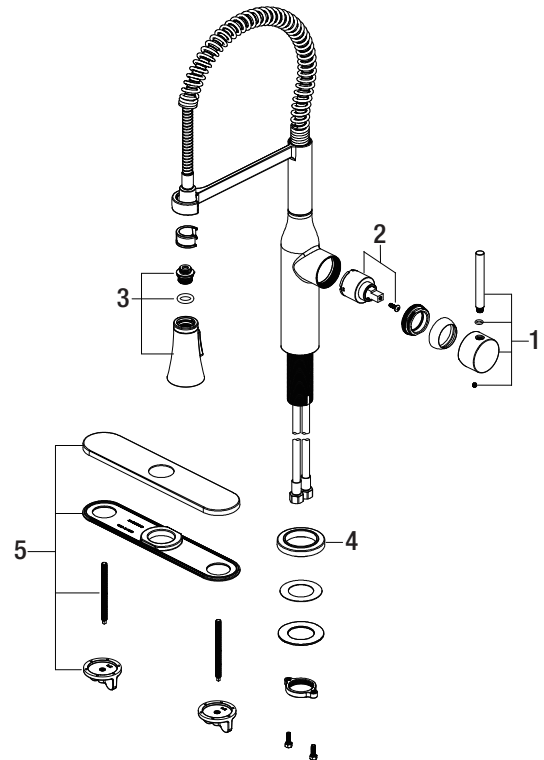
Model Numbers

PFXC5017CP Chrome
 PFXC5017ZBN Brushed nickel
 PFXC5017MB Matte black

No.	Item	Part Number	Material Type
1	Handle	OBPF717126*	Zinc alloy
2	Cartridge	OBPF220094	Ceramic
3	Sprayhead	OBPF638340A*	Abs
4	Flange	OBPF180333*	Abs
5	Escutcheon	OBPF180332*	Zinc alloy



PFXC5017CP



Warranty and Codes

This product comes complete with installation, operating, care and maintenance instructions. This PROFLO faucet carries a limited lifetime warranty when installed in residential applications. The warranty is five years in commercial applications. Certified to ASME A112.18.1.

*Compliant with lead content requirements of California AB1953

