

# PFWSC4757 SINGLE HANDLE LAVATORY FAUCET



## Product Features

- Max. flow rate: 1.2 gpm (4.54 L/min) at 60 psi
- Metal handle
- Ceramic disc cartridge
- Brass pop-up drain assembly
- Requires 3-hole sink with 4" on-center



## Optional Parts

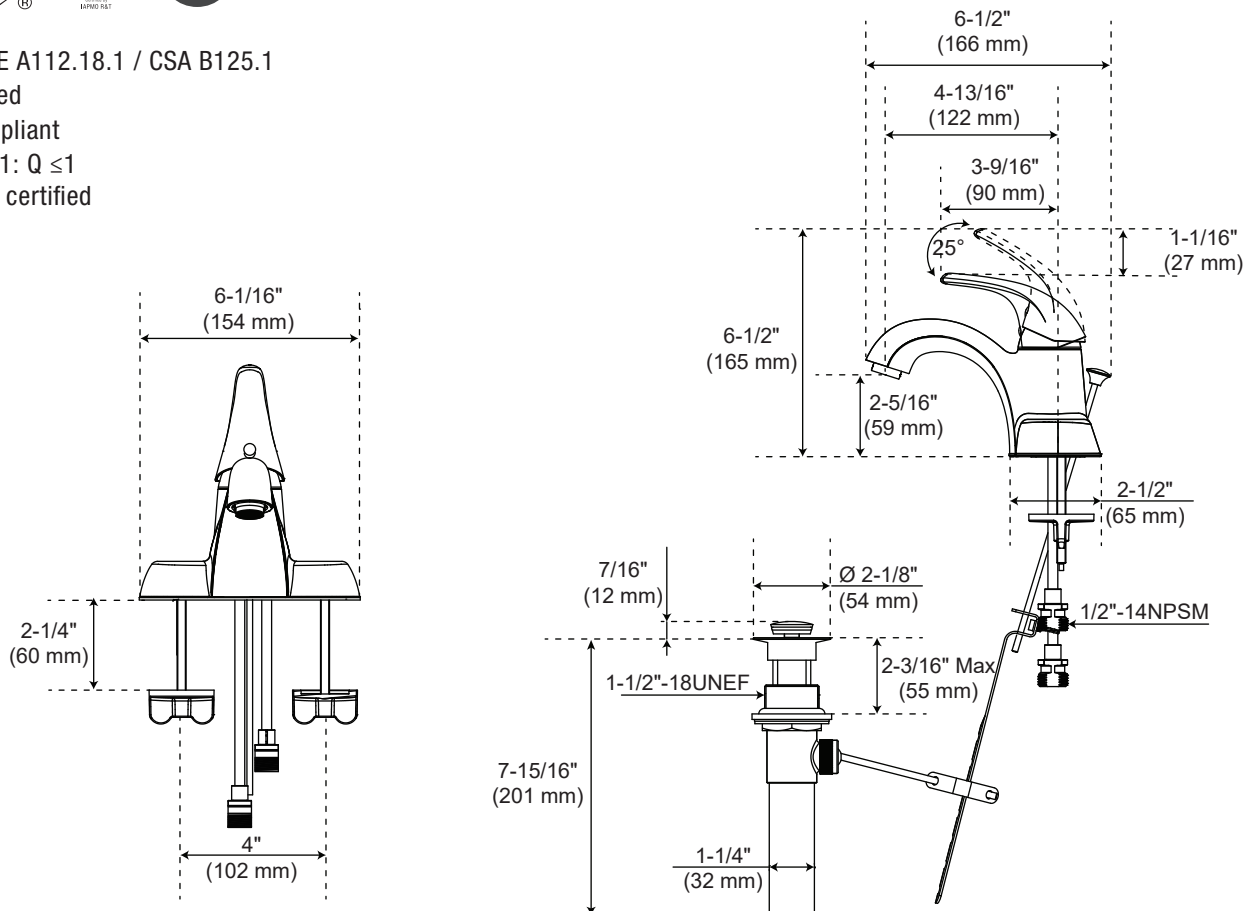
1.0 GPM Aerator	OBPF514321
0.5 GPM Aerator	OBPF530224
Drain Lift Rod Extension	PF351NA

## Codes and Certifications

**PFWSC4757**



- Certified to ASME A112.18.1 / CSA B125.1
- cUPC/IAPMO listed
- Handle ADA compliant
- NSF/ANSI/CAN 61: Q ≤ 1
- EPA WaterSense certified



For detailed warranty information, visit [ferguson.com/proflo-faucet-warranty](http://ferguson.com/proflo-faucet-warranty).