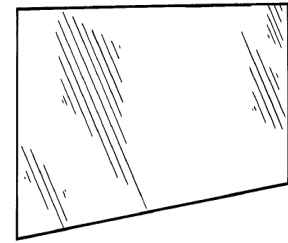




MEDICINE CABINETS

**SPECIFICATION SHEET**

**XWM5MM3660PEFER  
Wall Mirror**

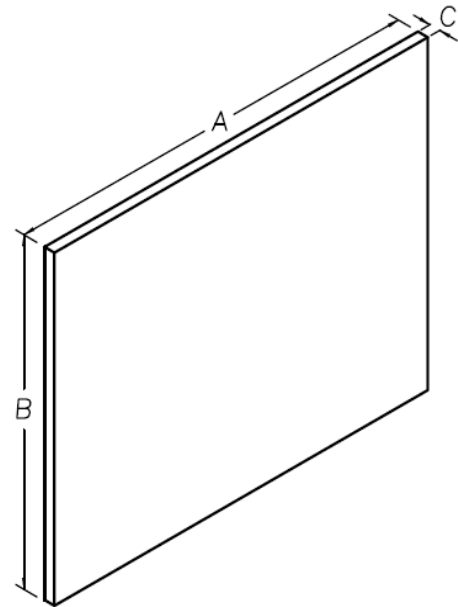


**FEATURES/TYPICAL SPECIFICATIONS**

- Surface Mount Installation
- 5MM thick float glass mirror with polished edge, 4 sides
- Silver mirror with IR cured, protective paint backing
- Overall Weight: 36 lbs
- Manufactured in accordance with ASTM C 1036 and C 1503
- Point of Origin: USA
- Shipped in individually wrapped corrugated folder on non-returnable wooden buck
- Mounting hardware available for purchase separately

**Finishes:**

Housing: N/A  
 Mirror: Polished Edge  
 Frame: Frameless



		Dimensions In Inches		
Model #	Description	A	B	C
XWM5MM3660PEFER	WALL MIRROR 36X60PE	59.875	35.875	0.188

REFERENCE	QTY.	REMARKS	Project
			Location
			Architect
			Engineer
			Contractor
			Submitted by <span style="float: right;">Date</span>

\* All models and material specifications are subject to change or withdrawal without notice.

SXWM5MM3660PEFER\_A00