

Features

- Domed glass shades extend from intersecting rods and flared metal bases in contemporary designs fit for any room
- Coordinates with faucets in the Tone collection
- Requires bulb with candelabra (E12) base; type G bulb recommended (sold separately)
- Suitable for damp locations, per UL 1598
- Includes installation hardware
- Fixture is dimmable when paired with dimmer switch and compatible bulbs

Material

- Premium metal and glass construction
- Manufactured with quality materials and complemented with a meticulous finishing process
- Durable finishes engineered to last and designed to coordinate with KOHLER faucet finishes



Codes/Standards

UL 1598
CSA C22.2 No. 250.0

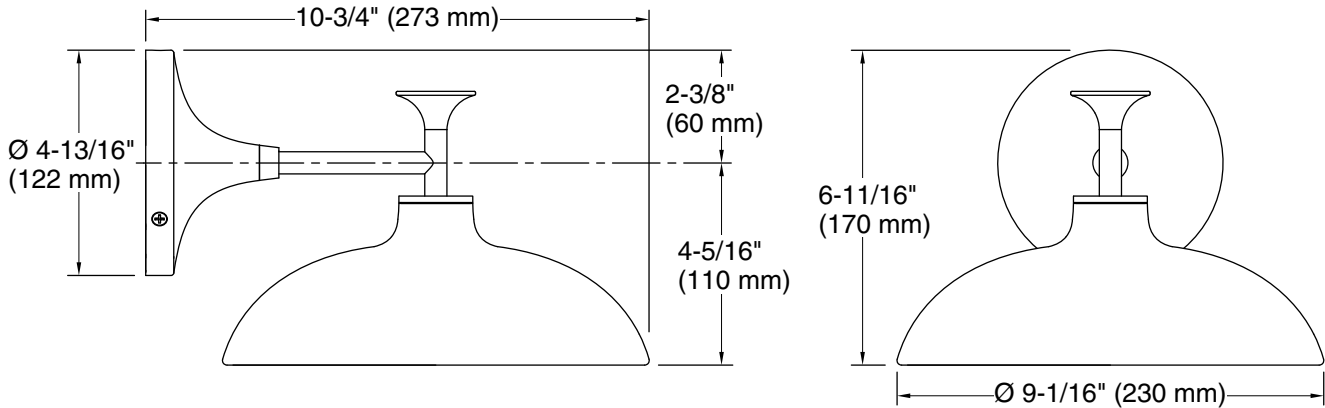
KOHLER® Indoor Lighting Fixtures Limited Warranty

See website for detailed warranty information.

Available Colors/Finishes

Color tiles intended for reference only.

Color	Code	Description
	BNL	Brushed Nickel
	CPL	Polished Chrome
	BLL	Matte Black
	2GL	Brushed Moderne Brass
	BML	Black, Brass Trim
	CBL	Matte Black with Polished Chrome



Required Electrical Service

One circuit required.

120 V, 0.5 A, 60 Hz

Technical Information

All product dimensions are nominal.

Material: Steel, Aluminum, Glass

Number of Lights: 1

Lighting Type: Socket-based

Socket Type: E-12 Candelabra

Number of Shades: 1

Shade Type: Glass - clear

Hanging Type: Non-hanging