

Features

- 36" (914 mm) minimum base cabinet width.
- Single bowl.
- 9" (229 mm) depth provides generous workspace.
- Rounded corners are easy to clean.
- SilentShield® sound-absorption technology offers quieter performance.
- Rear drain increases workspace in the sink and storage space underneath.
- No faucet holes; requires wall- or counter-mount faucet.
- Box includes: Sink, installation hardware.
- Optional K-28904 silicone bowl mat (sold separately).

Material

- Premium 18-gauge stainless steel.
- KOHLER stainless steel sinks resist corrosion and tarnishing.

Installation

- Undermount.

Recommended Products/Accessories

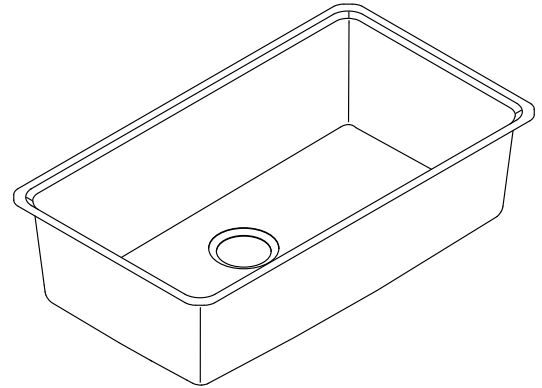
- K-28904 Silicone sink mat
- K-8799 Sink drain and strainer basket
- K-8801 Sink drain and strainer with tailpiece
- K-23729 Stainless steel cleaner
- K-23726 Drain treatment

Optional Products/Accessories

- K-28905 Bamboo cutting board
- K-28906
- K-11352 Disposal Flange with Stopper

Included Components

- Additional Components:
Installation hardware

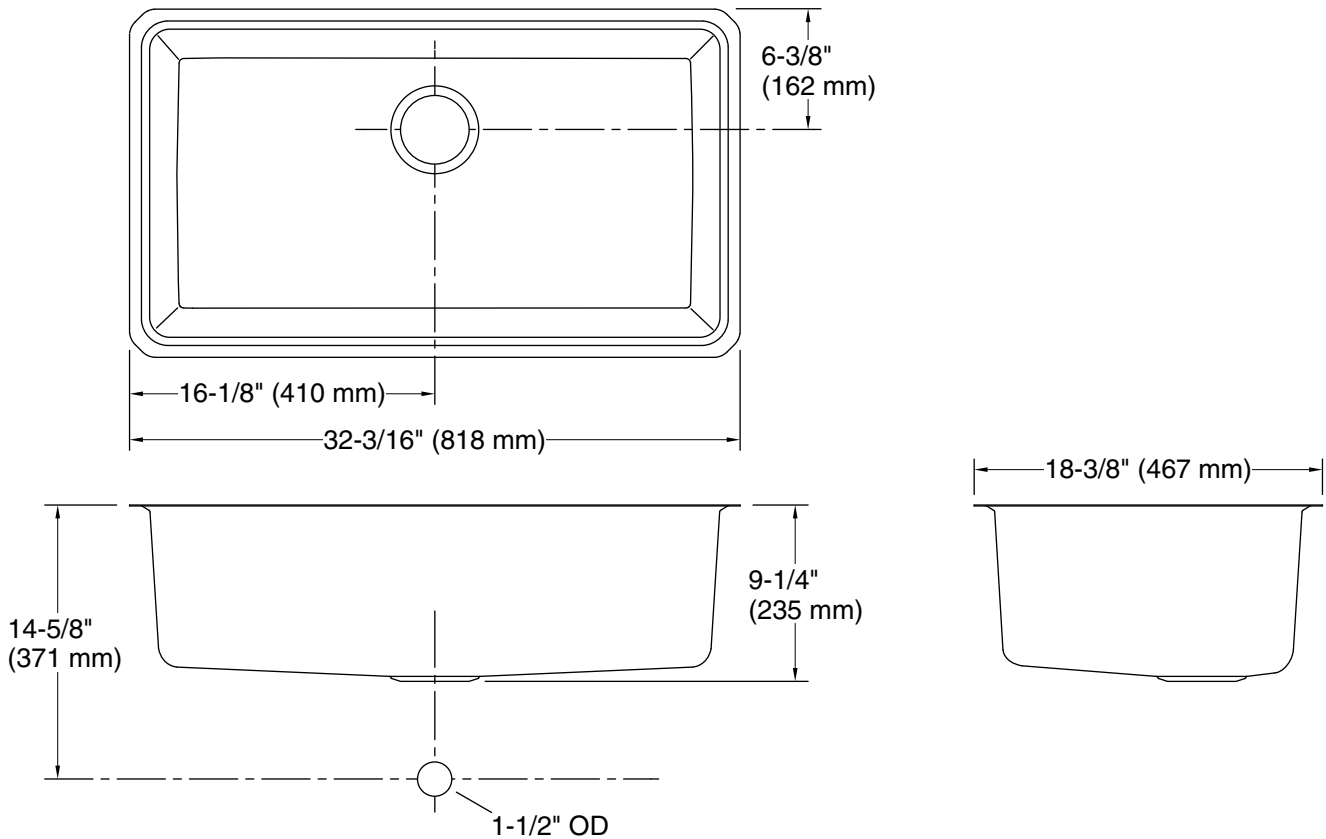


Codes/Standards

ASME A112.19.3/CSA B45.4

KOHLER® Stainless Steel Sinks Lifetime Limited Warranty

See website for detailed warranty information.



Technical Information

All product dimensions are nominal.

Bowl configuration:	Single
Installation:	Undermount
Bowl area (Only):	Length: 29-15/16" (761 mm) Width: 16-1/8" (410 mm) Bowl depth: 9" (229 mm) Water depth: 9" (229 mm)
Drain hole:	3-5/8" (92 mm)
Template:	Undermount, 1476436-7, required, included

Notes

Install this product according to the installation instructions.