

Features

- Single faucet hole.
- Oval basin.
- Overflow drain.
- Combination consists of the K-2028-1 basin and the K-2057 shroud.

Material

- Vitreous china.

Installation

- Wall-mount.

Recommended Products/Accessories

- K-7605-P Angle Supply with Stop (pair)
- K-8998 P-Trap
- K-23726 Drain treatment
- K-23725 Cast iron cleaner

Included Components

Additional Components:

- 2028-1
- 2057
- Hanger(s)
- Rubber pads
- shroud accessory pack



ADA OBC

Codes/Standards

ASME A112.19.2/CSA B45.1
ADA
ICC/ANSI A117.1
OBC


KOHLER® One-Year Limited Warranty

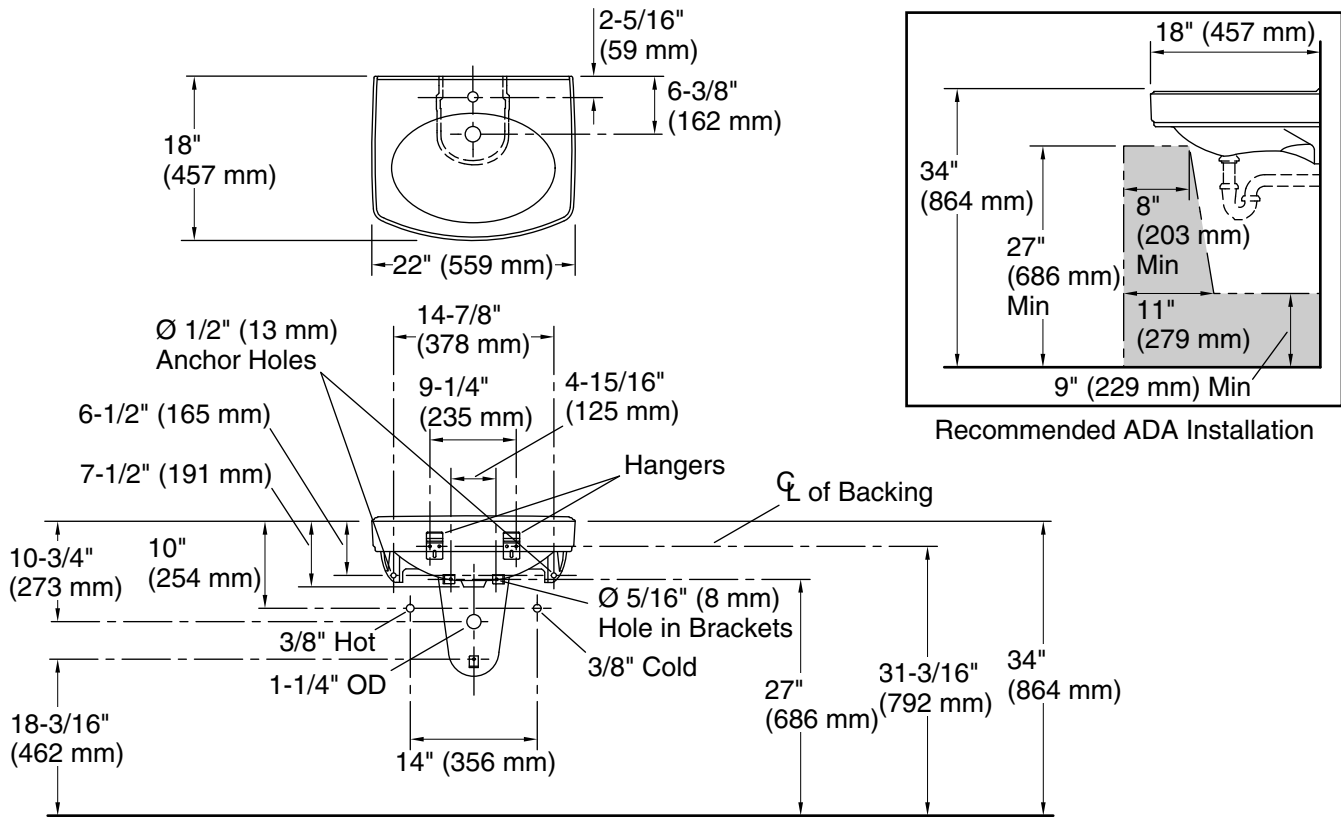
See website for detailed warranty information.

Available Colors/Finishes

Color tiles intended for reference only.

Color Code Description

	0	White
---	---	-------



Technical Information

All product dimensions are nominal.

Bowl configuration:	Single
Installation:	Wall-mount
Bowl area (Only):	Length: 18" (457 mm) Width: 12" (305 mm) Water depth: 4" (102 mm)
Number of deck holes:	1
Faucet hole(s):	1-3/8" (35 mm)
Drain hole:	1-3/4" (44 mm)

Notes

Install this product according to the installation instructions.

ADA, OBC compliant when installed to the specific requirements of these regulations.