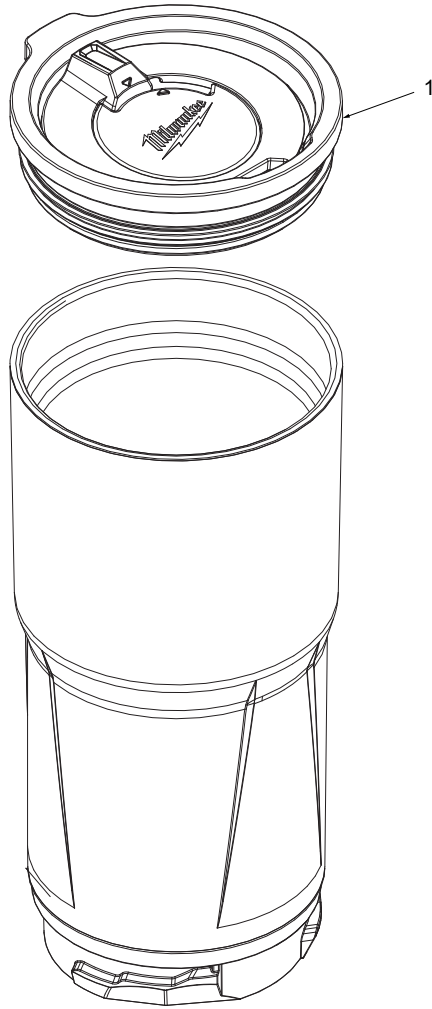




SERVICE PARTS LIST

BULLETIN NO.
54-49-8390

SPECIFY CATALOG NO. AND SERIAL NO. WHEN ORDERING PARTS		REVISED BULLETIN	DATE
PACKOUT™ Tumblers			Oct. 2021
CATALOG NO.	48-22-8392R 48-22-8393R	WIRING INSTRUCTION	
	STARTING SERIAL NO.		



LID COVER REMOVAL



STEP 1
Align arrows on the lid and lid cover.



STEP 2
Insert finger through bottom of the lid opening and push the lid cover up.



STEP 3
Remove the lid cover with the opposite hand.



Lid Cover Reinsertion
Place lid cover under groove near opening and align arrows on both lid and lid cover for reinsertion.

FIG.	PART NO.	DESCRIPTION OF PART	NO. REQ.
1	31-01-8392	Lid Assembly (20 oz.)	(1)
	31-01-8393	Lid Assembly (30 oz.)	(1)