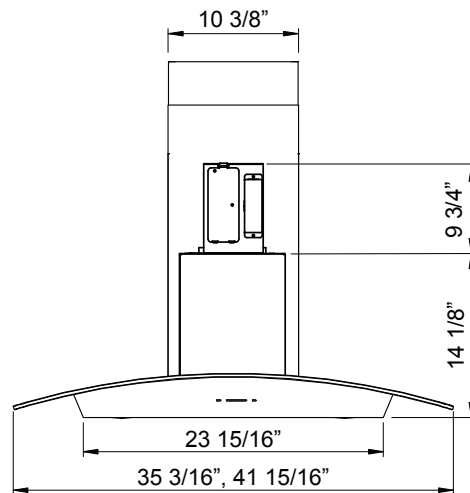
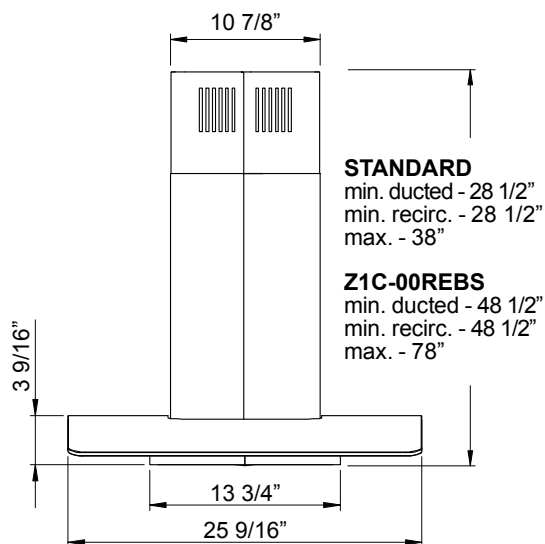


ACT™

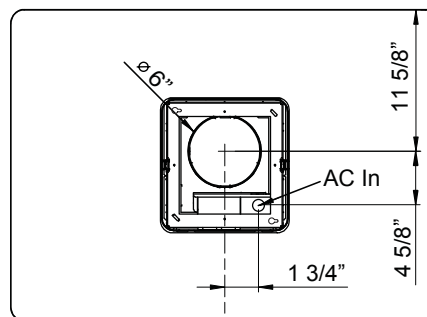
Min. - Max. CFM	INTERNAL BLOWER STANDARD	INTERNAL BLOWER with ACT™ AIRFLOW CONTROL TECHNOLOGY™*	
		200 - 600	200 - 390
Min. - Max. Sones	1 - 6	*AIRFLOW CONTROL TECHNOLOGY™ (ACT™) is an exclusive feature built into specific Zephyr hoods which can limit the maximum blower CFM to meet local code requirements.	



FRONT



SIDE



C/L

TOP

**MODEL**

Black Stainless Steel w/ Smoke-Gray Glass	ZRE-M90BBSGG	ZRE-E42BBSGG
Size	36"	42"

**BLOWER PERFORMANCE**

Blower CFM (Min. - Max.)	200 - 600	200 - 600
Sones (Min. - Max.)	1 - 6	1 - 6
ACT 390 CFM (Min. - Max.)	200 - 390	200 - 390
ACT 290 CFM (Min. - Max.)	200 - 290	200 - 290

**FEATURES**

ACT™ Technology	390, 290	390, 290
Controls	ICON Touch®	ICON Touch®
Speed Levels	5*	5*
Auto Delay-Off	Yes	Yes
Lighting	LumiLight LED, 6W x2	LumiLight LED, 6W x2
Dual-Level Lighting	Yes	Yes
Filters	Aluminum Mesh x2	Aluminum Mesh x2
Recirculating Option	Yes	Yes
Quick-Lock Installation	Yes	Yes
Magnetic Duct Covers	Yes	Yes
Duct Cover Extension Option	Yes, Up to 12' Ceiling	Yes, Up to 12' Ceiling

**DUCT SPECIFICATIONS**

Vertical Internal Blower	6" Round	6" Round
Horizontal Internal Blower	NA	NA
AC POWER	120V, 60Hz at Max. 4A	120V, 60Hz at Max. 4A

**OPTIONAL ACCESSORIES**

Wireless Remote Control Kit	RC-0002	RC-0002
Recirculating Kit	ZRC-00RE	ZRC-00RE
Duct Cover Extension	Z1C-00REBS	Z1C-00REBS
Make-Up Air Kit	MUA006A	MUA006A

<b>MOUNTING HEIGHT RANGE**</b>	24" - 34"	24" - 34"
--------------------------------	-----------	-----------

<b>WARRANTY</b>	3 years parts, 1 year labor	3 years parts, 1 year labor
-----------------	-----------------------------	-----------------------------

CEILING HEIGHT		8'	8.5'	9'	9.5'	10'	10.5'	11'	12'
STANDARD DUCT COVER	Ducted Mounting Height**	24" - 31.5"	27" - 34"	33" - 34"	NA	NA	NA	NA	NA
	Recirc Mounting Height**	24" - 31.5"	27" - 34"	33" - 34"	NA	NA	NA	NA	NA
DUCT COVER EXTENSION	Ducted Mounting Height**	NA	NA	NA	24" - 29.5"	24" - 34"	24" - 34"	24" - 34"	30" - 34"
	Recirc Mounting Height**	NA	NA	NA	24" - 29.5"	24" - 34"	24" - 34"	24" - 34"	30" - 34"

\*When ACT™ is enabled the maximum speed levels will change. ACT 390 CFM = 4 speeds and ACT 290 CFM = 3 speeds.

\*\*Mounting height refers to distance between top of a 36" tall cooking surface and bottom of hood.

**ACT™** AIRFLOW CONTROL TECHNOLOGY™ (ACT™)  
is an exclusive feature built into specific Zephyr hoods which can  
limit the maximum blower CFM to meet local code requirements.

Specifications subject to change, check zephyronline.com for up-to-date information.  
Zephyr Ventilation | 2277 Harbor Bay Parkway, Alameda, CA 94502 | 888.880.VENT

MAR23.0101

