

TAG: _____

SUBMITTAL

15 SERIES

Single Zone Mini-Split Inverter System

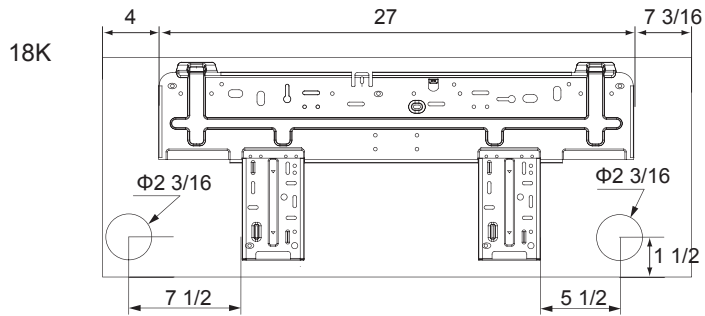
M4MHW1518A1N0B
M4THS1518A11NB

Specifications

| MODEL - Heat Pump Only | M4MHW1518A / M4THS1518A | |
|---|--------------------------|--------------------------|
| | Cooling | Heating |
| RATED Volts/PH | 208 / 230 / 1 | |
| Frequency (Hz) | 60Hz | |
| Rated Cooling / Heating Capacity (Btu/h): | 18000 | 19000 |
| Minimum Cooling Capacity (@95F) (Btu/h): | 7100 | - |
| Maximum Cooling Capacity (@95F) (Btu/h): | 20000 | - |
| Minimum Heating Capacity (@47F) (Btu/h): | - | 7300 |
| Maximum Heating Capacity (@47F) (Btu/h): | - | 23400 |
| Maximum Heating Capacity (@17F) (Btu/h): | - | 12000 |
| Total Capacity (W) (High/Standard/Low): | 5800 / 5200 / 2100 | 6800 / 5500 / 2100 |
| Rated Power Input (W) | 1920 | 2000 |
| Nominal Input Current (A) | 8.5 | 8.9 |
| SEER / HSPF | 15.0 | 9.0 |
| Air Flow Volume (CFM) (SH/H/M/L) | 470 / 400 / 340 / 280 | |
| Dehumidifying Volume (pt./h) | 3.8 | |
| EER (Btu/W hr)/COP | 9.0 | 9.5 |
| Indoor Unit | M4MHW1518A1N0 | |
| Fan Motor Speed (r/min) (SH/H/M/L) | 1350 / 1200 / 1050 / 900 | 1300 / 1200 / 1100 / 900 |
| Fan Motor RLA(A) | 0.30 | |
| Evaporator | Aluminum Fin-Copper Tube | |
| Pipe Diameter (inch) | 2/7 | |
| Row Fin Gap (inch) | 2 - 1/18 | |
| Coil length (L) x depth (D) x coil width (W) (inch) | 28 1/7 x 1 x 12 | |
| Output of Swing Motor (W) | 2.5 | |
| Fuse (A) | 3.15 | |
| Sound Power Level dB (A)(SH/H/M/L) | 56 / 52 / 49 / 45 | |
| Sound PRESSURE Level dB (A)(SH/H/M/L) ① | 46 / 42 / 39 / 35 | |
| Uncrated Dimension (W/H/D) (inch) | 38 1/5 x 11 4/5 x 8 5/6 | |
| Crated Dimension of Package (L/W/H) (inch) | 41 x 15 x 12 3/5 | |
| Net Weight /Gross Weight (lbs) | 29.8 / 36.4 | |
| Outdoor Unit | M4THS1518A11N | |
| Compressor Type | Rotary | |
| Compressor Oil | RB68EB (POE Oil) | |
| L.R.A. (A) | 16.5 | |
| Compressor RLA(A) | 12.08 | |
| Compressor Power Input(W) | 1440 | |
| Throttling Method | Capillary | |
| Working Temp Range (°F) | 0 - 115 | -4 - 75 |
| Condenser | Aluminum Fin-Copper Tube | |
| Pipe Diameter (inch) | 3/8 | |
| Row Fin Gap (inch) | 1 - 1/18 | |
| Coil length (l) x depth (D) x coil width (W) (inch) | 33 5/8 x 6/7 x 26 | |
| Fan Motor Speed (rpm) | 800 | |
| Output of Fan Motor (W) | 60 | |
| Fan Motor RLA (A) | 0.52 | |
| Air Flow Volume of Outdoor Unit (CFM) | 1883 | |
| Fan Diameter (inch) | 20.5 | |
| Defrosting Method | Automatic Defrosting | |
| Sound Power Level dB (A) | 66 | |
| Sound PRESSURE Level dB (A) ① | 56 | |
| Uncrated Dimension (W/H/D) (inch) | 37 3/5 x 27 5/9 x 15 3/5 | |
| Crated Dimension of Package (W/L/H) (inch) | 40 1/2 x 18 x 29 1/2 | |
| Net Weight /Gross Weight (lbs) | 95.9 / 105.8 | |
| Refrigerant Charge (oz) | 49.4 | |
| MCA | 16.0 | |
| MOP | 25.0 | |
| Connection Pipe | | |
| Gas additional charge(oz/ft) | 0.2 | |
| Outer Diameter Liquid Pipe (inch) | 1/4 | |
| Outer Diameter Gas Pipe (inch) | 1/2 | |
| Max Height Distance (ft) | 65 | |
| Max Length Distance (ft) | 130 | |

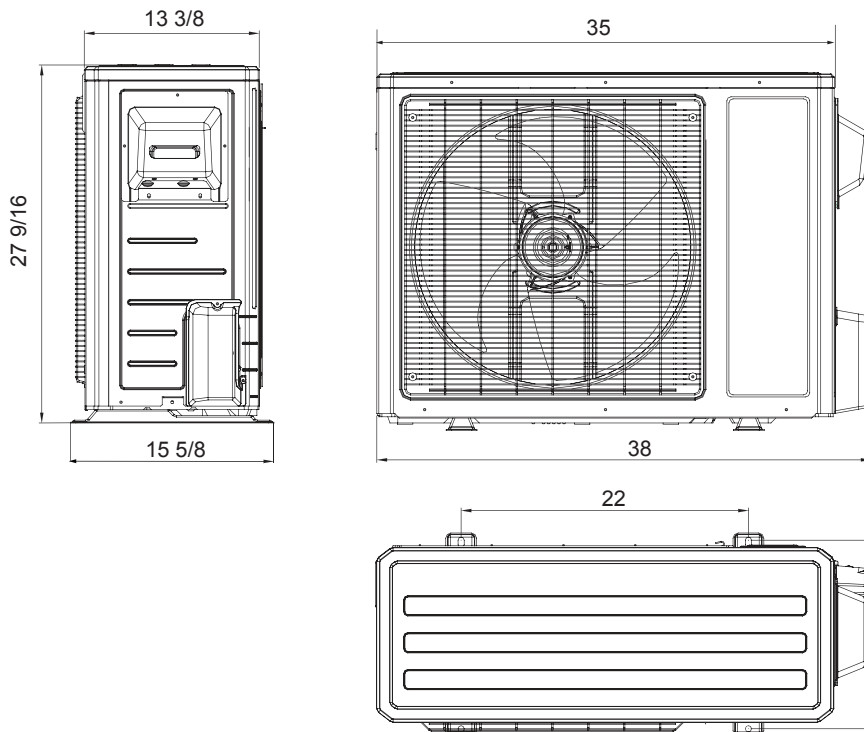
① Sound PRESSURE Level @ 3.3 ft. dB(A)

Unit Dimensions



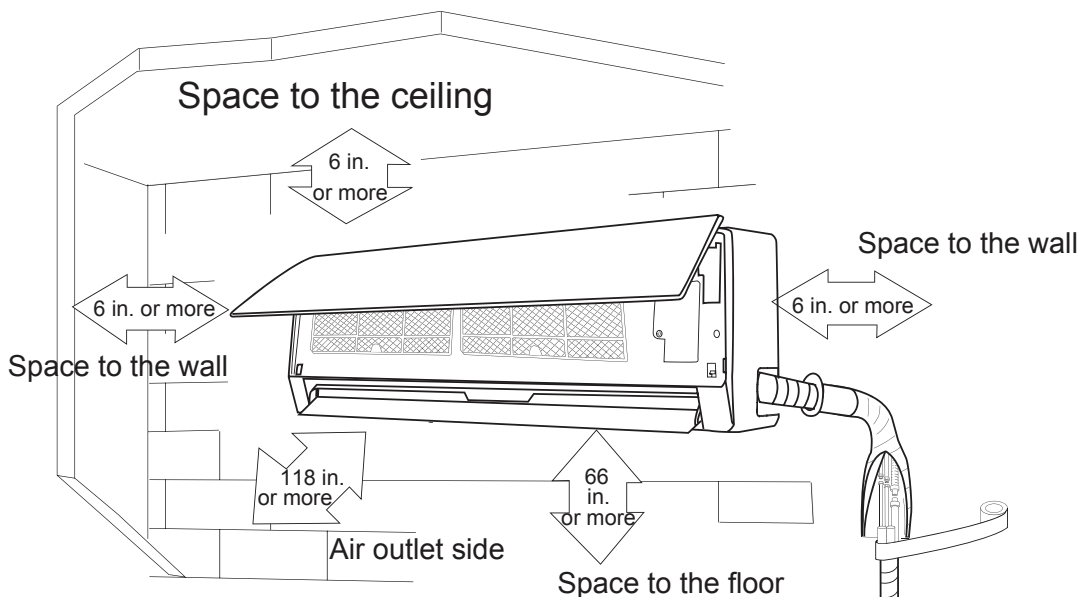
Unit: inch

| Models | W | H | D |
|--------|--------|----------|---------|
| 18K | 38 1/4 | 11 13/16 | 8 7/8 |
| 24K | 42 1/2 | 12 13/16 | 9 11/16 |

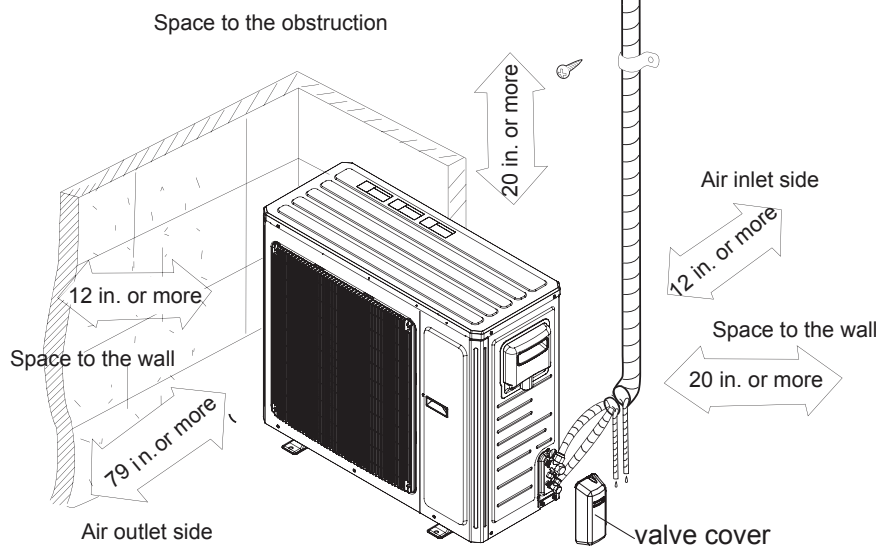


Unit: inch

Clearance Requirements



The dimensions of the space necessary for correct installation of the appliance including the minimum permissible distances to adjacent structures



NOTE:

The maximum recommended height from the floor to the bottom of the indoor unit is 11.5 ft. (3.5 m).

| Air Velocity Patterns for High Wall | | |
|-------------------------------------|--------------|--------------|
| Max Horizontal Distance | | |
| Unit: ft. (m) | | |
| Model | Cooling Mode | Heating Mode |
| M4MHW1518A | 30.2 (9.2) | 21.3 (6.5) |

Performance Data

COOLING PERFORMANCE

M4MHW1518A
M4THS1518A

| Outdoor Ambient Air Temperature (°F) | Indoor Entering Air Temperature (Dry Bulb/Wet Bulb) | | | | | | | |
|--------------------------------------|---|-------|---------|-------|---------|-------|---------|-------|
| | 68/57°F | | 73/61°F | | 80/67°F | | 82/68°F | |
| | TC* | SHC** | TC | SHC | TC | SHC | TC | SHC |
| 0 | 9500 | 7400 | 9900 | 7700 | 11200 | 8800 | 11900 | 9300 |
| 10 | 11200 | 8800 | 11900 | 9300 | 13400 | 10500 | 13800 | 10800 |
| 20 | 12700 | 10000 | 13600 | 10600 | 15500 | 12100 | 15900 | 12500 |
| 30 | 13500 | 10600 | 14400 | 11300 | 16500 | 13000 | 17000 | 13400 |
| 40 | 14100 | 11000 | 15000 | 11800 | 17200 | 13500 | 17700 | 13900 |
| 50 | 14600 | 11500 | 15700 | 12300 | 17900 | 14100 | 18500 | 14500 |
| 60 | 16100 | 12600 | 17200 | 13500 | 18800 | 14800 | 19400 | 15200 |
| 70 | 18000 | 14100 | 19100 | 15000 | 20400 | 16000 | 21000 | 16500 |
| 80 | 17500 | 13700 | 18600 | 14600 | 20100 | 15700 | 20700 | 16200 |
| 90 | 16500 | 12900 | 17300 | 13600 | 19300 | 15100 | 19900 | 15600 |
| 100 | 15600 | 12200 | 15900 | 12500 | 18000 | 14100 | 18500 | 14500 |
| 110 | 14700 | 11500 | 15200 | 11900 | 16600 | 13000 | 17100 | 13400 |
| 120 | 13800 | 10900 | 14600 | 11400 | 15200 | 11900 | 15600 | 12300 |

*Total Capacity **Sensible Heat Capacity

HEATING PERFORMANCE

M4MHW1518A
M4THS1518A

| Outdoor Ambient Air Temperature (°F) | Indoor Entering Air Temperature | | | |
|--------------------------------------|---------------------------------|-------|-------|-------|
| | 68°F | 73°F | 80°F | 82°F |
| | TC* | TC | TC | TC |
| 0 | 11600 | 11400 | 11200 | 11100 |
| 5 | 12500 | 12300 | 12100 | 12000 |
| 10 | 13200 | 13000 | 12800 | 12600 |
| 15 | 14300 | 14100 | 13900 | 13800 |
| 20 | 15700 | 15500 | 15200 | 15100 |
| 25 | 16400 | 16100 | 15800 | 15700 |
| 30 | 16900 | 16600 | 16200 | 16100 |
| 35 | 17700 | 17400 | 17000 | 16900 |
| 40 | 18700 | 18400 | 18100 | 17900 |
| 45 | 19600 | 19300 | 19000 | 18800 |
| 50 | 20000 | 19700 | 19300 | 19100 |
| 55 | 20300 | 19900 | 19500 | 19300 |
| 60 | 20700 | 20300 | 19900 | 19700 |
| 65 | 21100 | 20700 | 20300 | 20100 |
| 70 | 21400 | 21000 | 20600 | 20400 |
| 75 | 21700 | 21300 | 20900 | 20700 |

*Total Capacity

Capacities in these performance tables reflect normal operation at the temperatures indicated. See specification tables for certified values under prescribed test conditions.

Mechanical Specifications

Mini-Split Outdoor Unit

General

This unit is fully charged from the factory for up to 25 feet of piping. This unit is designed to operate at outdoor ambient temperatures as high as 115°F. Cooling capacities with the mini-split air handler shown in the catalog are AHRI certified. The unit is ETL listed for outdoor application.

Unit Casing

The unit casing is constructed of heavy gauge, galvanized steel and painted with a weather-resistant powder paint.

Refrigerant Controls

Refrigeration system controls include condenser fan and compressor relay. High and low pressure controls are inherent to the compressor. A suction line multi function service valve is standard

Compressor

The compressor features internal over temperature and pressure protection; total dipped hermetic motor windings. Other features include: centrifugal oil pump and low vibration and noise.

Condenser Coil

The coil shall consist of aluminum finned coils brazed to copper tubing. The coil provides air flow resistance and efficient heat transfer. The coil is protected by the casing.

Low Ambient Cooling

Matched ductless products, have cooling capabilities at outdoor ambient temperatures as low as 0° F.

Mini-Split Indoor High Wall

General

The High Wall mounted type air handler shall be completely factory assembled including coil, condensate drain pan, fan motor, washable filter, air purifying filter and electric controls to be used with a wireless remote controller. Unit shall be shipped with a unit mounting plate. Unit shall be matched with an outdoor unit, rated and tested in accordance with AHRI standard. Unit shall be ETL listed.

Unit Casing

Casing shall be provided with knockouts on the right, and left of the unit to facilitate piping and electrical connection on either side of the unit. An electrical service cover shall be provided to permit easy access to the electrical terminal strip.

Discharge Airflow and Distribution System

Unit shall have auto swing, dual horizontal blades to optimize the aperture outlet for vertical airflow and air distribution. Blade shall close automatically when the air conditioner is turned off to minimize dust entering the unit. Five-Step preset program on the remote controller shall be available to control the blade angle.

Manually adjusted wide-angle louvers shall be provided to adjust the coverage and direction of airflow.

Controls

Units shall have the capability to be controlled remotely through wall-mounted wired options (**sold separately**) as well as a wireless remote option.

Remote Controller

The unit shall have a wireless infrared remote controller with easy reading digital display panel to start, stop and regulate the air conditioner from a distance.

The wireless controller is included with all units.

Healthy Filters

The unit shall have an active carbon and catechin filter with the unit. The filters need to be cleaned at least once a year.

