

TAG: _____

SUBMITTAL

15 SERIES

Single Zone Mini-Split Inverter System

M4MHW1524A1N0B

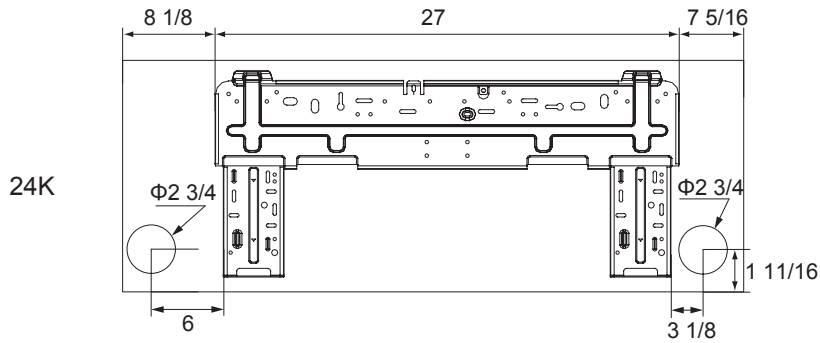
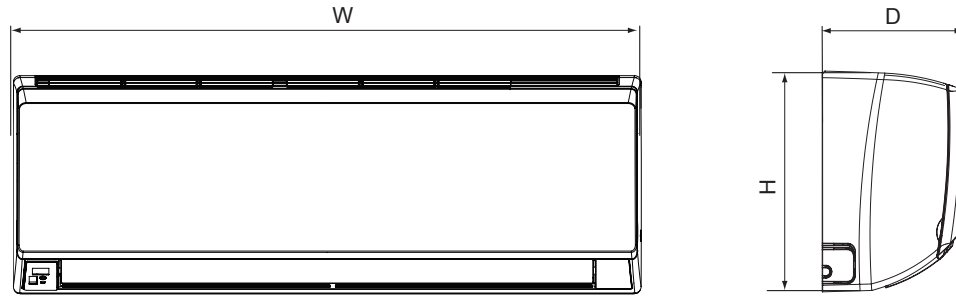
M4THS1524A11NB

Specifications

MODEL - Heat Pump Only	M4MHW1524A / M4THS1524A	
	Cooling	Heating
RATED Volts/PH	208 / 230 / 1	
Frequency (Hz)	60Hz	
Rated Cooling / Heating Capacity (Btu/h):	22000	23000
Minimum Cooling Capacity (@95F) (Btu/h):	8600	-
Maximum Cooling Capacity (@95F) (Btu/h):	23200	-
Minimum Heating Capacity (@47F) (Btu/h):	-	8600
Maximum Heating Capacity (@47F) (Btu/h):	-	26000
Maximum Heating Capacity (@17F) (Btu/h):	-	13500
Total Capacity (W) (High/Standard/Low):	6800 / 6400 / 2500	7600 / 6600 / 2500
Rated Power Input (W)	2260	2300
Nominal Input Current (A)	10.0	10.2
SEER / HSPF	15.0	9.0
Air Flow Volume (CFM) (SH/H/M/L)	700 / 640 / 580 / 520	
Dehumidifying Volume (pt./h)	5.3	
EER (Btu/W hr) / COP	9.8	10.0
Indoor Unit		
	M4MHW1524A1N0	
Fan Motor Speed (r/min) (SH/H/M/L)	1250 / 1100 / 900 / 800	1150 / 1000 / 900 / 850
Fan Motor RLA(A)	0.32	
Evaporator	Aluminum Fin-Copper Tube	
Pipe Diameter (inch)	2/7	
Row Fin Gap (inch)	2 - 1/17	
Coil length (L) x depth (D) x coil width (W) (inch)	33 1/4 x 1 x 13 1/2	
Output of Swing Motor (W)	2.5	
Fuse (A)	3.15	
Sound Power Level dB (A)(SH/H/M/L)	58 / 54 / 50 / 46	
Sound PRESSURE Level dB (A)(SH/H/M/L) ①	48 / 44 / 40 / 36	
Uncrated Dimension (W/H/D) (inch)	42 4/9 x 12 4/5 x 9 2/3	
Crated Dimension of Package (L/W/H) (inch)	45 1/5 x 16 1/4 x 13 7/9	
Net Weight /Gross Weight (lbs)	37.5 / 45.2	
Outdoor Unit		
	M4THS1524A11N	
Compressor Type	Rotary	
Compressor Oil	RB68EB (POE Oil)	
L.R.A. (A)	25.0	
Compressor RLA(A)	12.18	
Compressor Power Input(W)	1440	
Throttling Method	Capillary	
Working Temp Range (°F)	0 - 115	-4 - 75
Condenser	Aluminum Fin-Copper Tube	
Pipe Diameter (inch)	3/8	
Row Fin Gap (inch)	2 - 1/18	
Coil length (l) x depth (D) x coil width (W) (inch)	33 1/3 x 1 3/4 x 26	
Fan Motor Speed (rpm)	800	
Output of Fan Motor (W)	60	
Fan Motor RLA (A)	0.40	
Air Flow Volume of Outdoor Unit (CFM)	1883	
Fan Diameter (inch)	20.5	
Defrosting Method	Automatic Defrosting	
Sound Power Level dB (A)	69	
Sound PRESSURE Level dB (A) ①	59	
Uncrated Dimension (W/H/D) (inch)	37 3/5 x 27 5/9 x 15 3/5	
Crated Dimension of Package (W/L/H) (inch)	40 1/2 x 18 x 29 1/2	
Net Weight /Gross Weight (lbs)	110.3 / 120.2	
Refrigerant Charge (oz)	65.3	
MCA	16.0	
MOP	25.0	
Connection Pipe		
Gas additional charge(oz/ft)	0.5	
Outer Diameter Liquid Pipe (inch)	1/4	
Outer Diameter Gas Pipe (inch)	5/8	
Max Height Distance (ft)	65	
Max Length Distance (ft)	130	

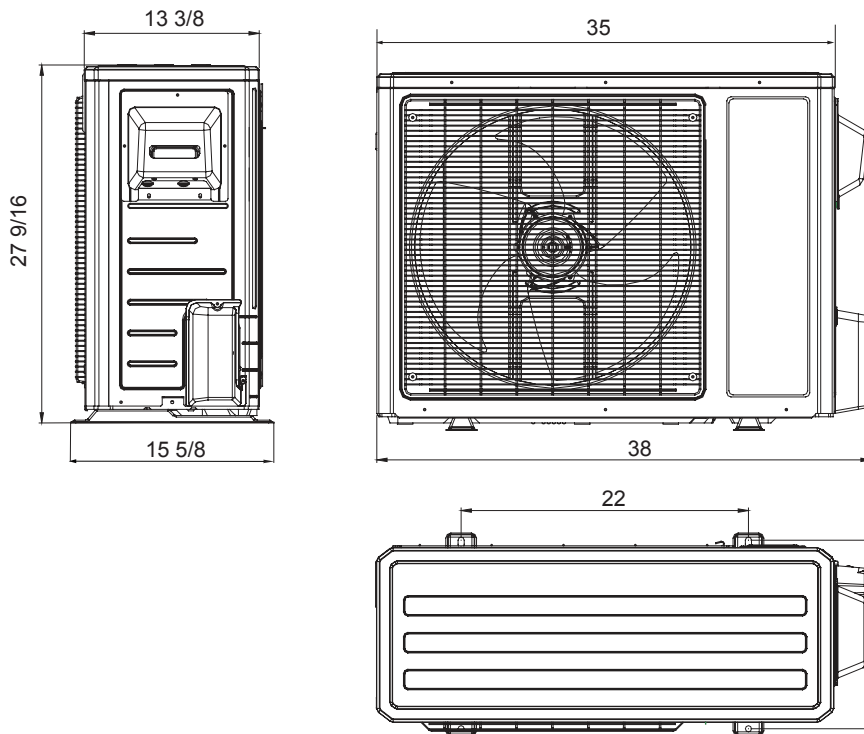
① Sound PRESSURE Level @ 3.3 ft. dB(A)

Unit Dimensions



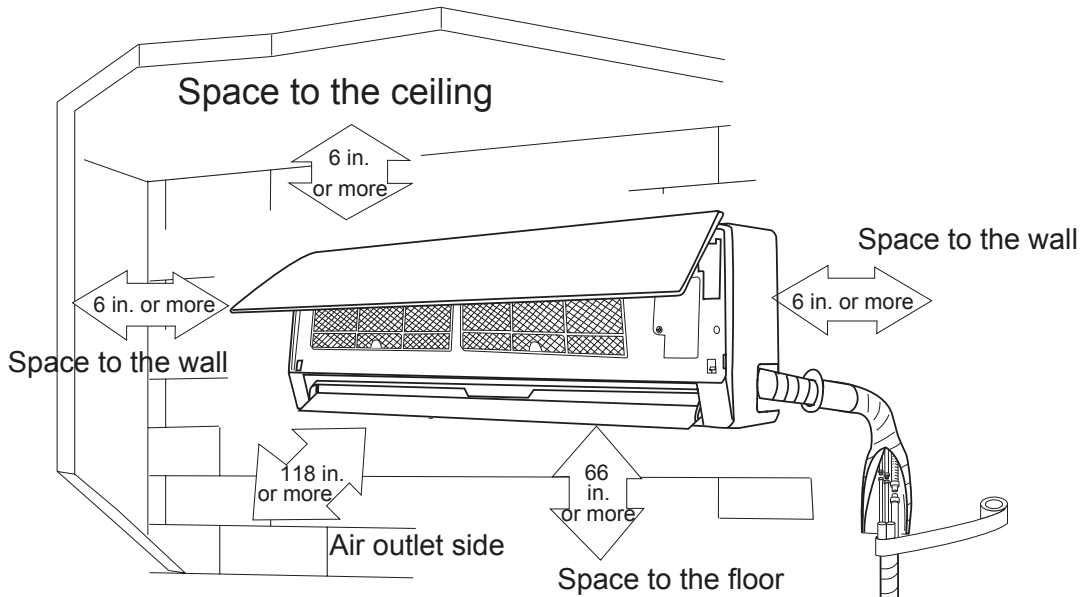
Unit: inch

Models	W	H	D
18K	38 1/4	11 13/16	8 7/8
24K	42 1/2	12 13/16	9 11/16

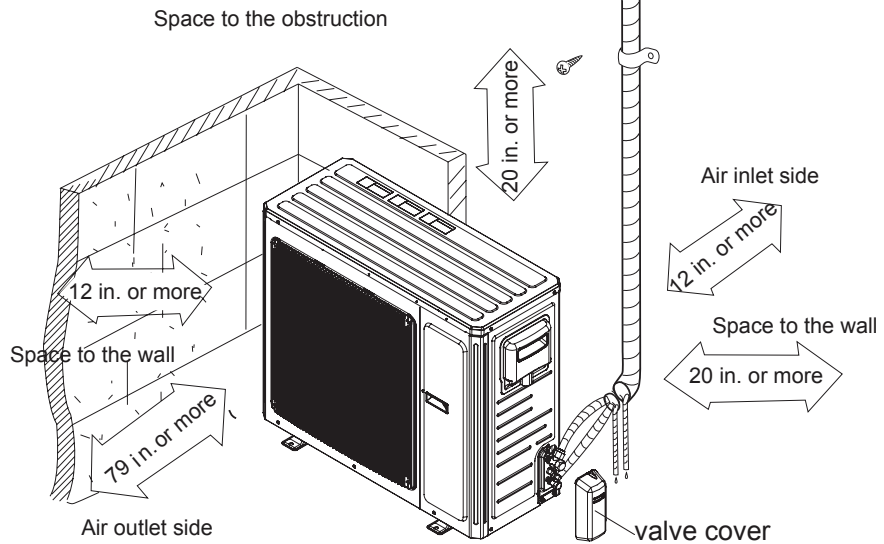


Unit: inch

Clearance Requirements



The dimensions of the space necessary for correct installation of the appliance including the minimum permissible distances to adjacent structures



NOTE:

The maximum recommended height from the floor to the bottom of the indoor unit is 11.5 ft. (3.5 m).

Air Velocity Patterns for High Wall		
Max Horizontal Distance		
Unit: ft. (m)		
Model	Cooling Mode	Heating Mode
M4MHW1524A	31.2 (9.5)	23 (7)

Performance Data

COOLING PERFORMANCE

M4MHW1524A
M4THS1524A

Outdoor Ambient Air Temperature (°F)	Indoor Entering Air Temperature (Dry Bulb/Wet Bulb)							
	68/57°F		73/61°F		80/67°F		82/68°F	
	TC*	SHC**	TC	SHC	TC	SHC	TC	SHC
0	10900	8500	11400	8900	12900	10100	13100	10300
10	13200	10400	14000	10900	15700	12300	16200	12700
20	15000	11700	15900	12500	18200	14300	18700	14700
30	15900	12400	17000	13300	19400	15200	20000	15700
40	16500	13000	17700	13900	20300	15900	20900	16400
50	17200	13500	18400	14400	21100	16500	21700	17000
60	19000	14900	20300	15900	22100	17400	22800	17900
70	21100	16600	22400	17600	24000	18800	24700	19400
80	20600	16100	21900	17200	23600	18500	24300	19100
90	19400	15200	20300	15900	22700	17800	23300	18300
100	18300	14400	18700	14700	21200	16600	21800	17100
110	17300	13600	17900	14000	19500	15300	20100	15700
120	16300	12800	17100	13400	17900	14000	18400	14400

*Total Capacity **Sensible Heat Capacity

HEATING PERFORMANCE

M4MHW1524A
M4THS1524A

Outdoor Ambient Air Temperature (°F)	Indoor Entering Air Temperature			
	68°F	73°F	80°F	82°F
	TC*	TC	TC	TC
0	12800	12500	12300	12200
5	13300	13100	12900	12700
10	15000	14800	14500	14400
15	16200	16000	15700	15500
20	17600	17400	16900	16700
25	18500	18200	17900	17800
30	19100	18800	18500	18300
35	20000	19800	19400	19200
40	21300	21000	20600	20400
45	22500	22200	21700	21500
50	23000	22600	22100	21900
55	23300	22900	22400	22200
60	23700	23300	22900	22600
65	24200	23800	23300	23100
70	24600	24200	23700	23500
75	24900	24500	24000	23800

*Total Capacity

Capacities in these performance tables reflect normal operation at the temperatures indicated. See specification tables for certified values under prescribed test conditions.

Mechanical Specifications

Mini-Split Outdoor Unit

General

This unit is fully charged from the factory for up to 25 feet of piping. This unit is designed to operate at outdoor ambient temperatures as high as 115°F. Cooling capacities with the mini-split air handler shown in the catalog are AHRI certified. The unit is ETL listed for outdoor application.

Unit Casing

The unit casing is constructed of heavy gauge, galvanized steel and painted with a weather-resistant powder paint.

Refrigerant Controls

Refrigeration system controls include condenser fan and compressor relay. High and low pressure controls are inherent to the compressor. A suction line multi function service valve is standard

Compressor

The compressor features internal over temperature and pressure protection; total dipped hermetic motor windings. Other features include: centrifugal oil pump and low vibration and noise.

Condenser Coil

The coil shall consist of aluminum finned coils brazed to copper tubing. The coil provides air flow resistance and efficient heat transfer. The coil is protected by the casing.

Low Ambient Cooling

Matched ductless products, have cooling capabilities at outdoor ambient temperatures as low as 0° F.

Mini-Split Indoor High Wall

General

The High Wall mounted type air handler shall be completely factory assembled including coil, condensate drain pan, fan motor, washable filter, air purifying filter and electric controls to be used with a wireless remote controller. Unit shall be shipped with a unit mounting plate. Unit shall be matched with an outdoor unit, rated and tested in accordance with AHRI standard. Unit shall be ETL listed.

Unit Casing

Casing shall be provided with knockouts on the right, and left of the unit to facilitate piping and electrical connection on either side of the unit. An electrical service cover shall be provided to permit easy access to the electrical terminal strip.

Discharge Airflow and Distribution System

Unit shall have auto swing, dual horizontal blades to optimize the aperture outlet for vertical airflow and air distribution. Blade shall close automatically when the air conditioner is turned off to minimize dust entering the unit. Five-Step preset program on the remote controller shall be available to control the blade angle.

Manually adjusted wide-angle louvers shall be provided to adjust the coverage and direction of airflow.

Controls

Units shall have the capability to be controlled remotely through wall-mounted wired options (**sold separately**) as well as a wireless remote option.

Remote Controller

The unit shall have a wireless infrared remote controller with easy reading digital display panel to start, stop and regulate the air conditioner from a distance.

The wireless controller is included with all units.

Healthy Filters

The unit shall have an active carbon and catechin filter with the unit. The filters need to be cleaned at least once a year.

