

# Heavy Gauge Galvanized Steel With Primed Finish

Congratulations on selecting the DryerWallVent for your project.

You'll find its serious performance comes from exceptional features delivering benefits in longevity, aesthetics, efficiency, and ease of install. It all starts with a deep draw manufacturing process. This type of construction forces heavy steel into tight fitting form. Made with the same deep-drawn Galvalume® steel materials that make up the DryerWallVent, this new paintable model has PPG's Envirocyl™ and Envirocron™ coatings, producing a durable, uniform finish that stands the test of time, even if left unpainted.

It also includes engineering advances like the gravity-assist angled damper, integrated rubber bumper magnets, stainless steel hinge pin and spring, and a secondary back plate for additional mounting options with a wider fastener footprint.



For Even More Tips and Tricks Visit [DryerWallVent.com](http://DryerWallVent.com)



InOvate Dryer Products  
250 S. Central Blvd.  
Jupiter, FL 33458-8812  
561-743-8696  
Patents Pending

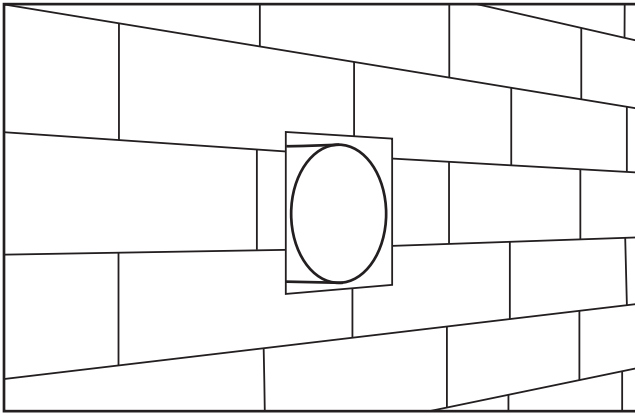
## Installation Instructions



**Venting Never  
Looked Better**

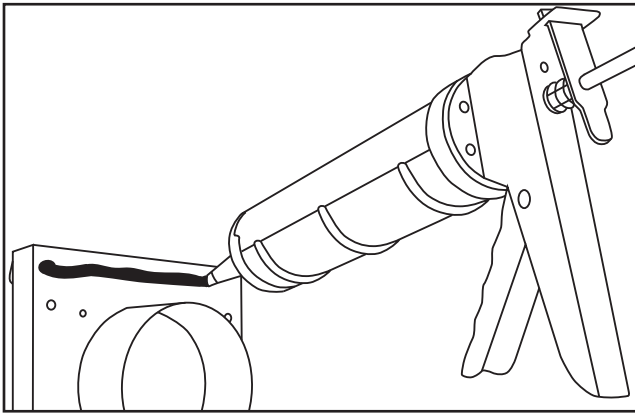


# Standard Installation



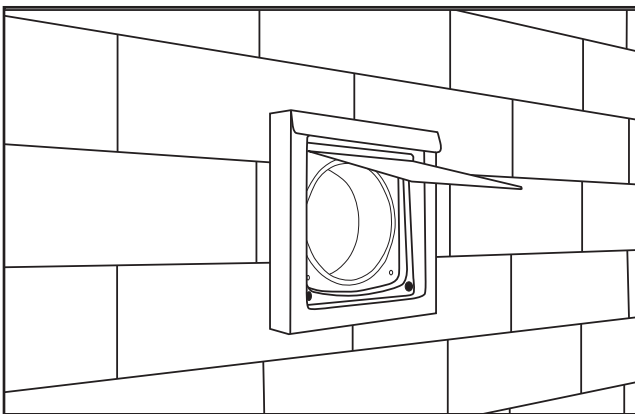
## STEP ONE

Confirm that 4" duct is flush to the exterior substrate.



## STEP TWO

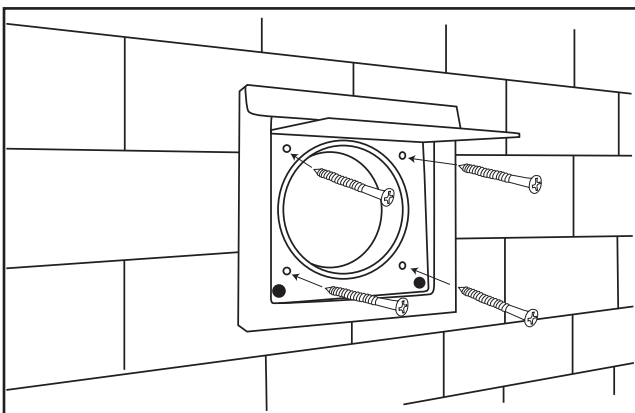
Add sealant around the perimeter of the backing plate.



## STEP THREE

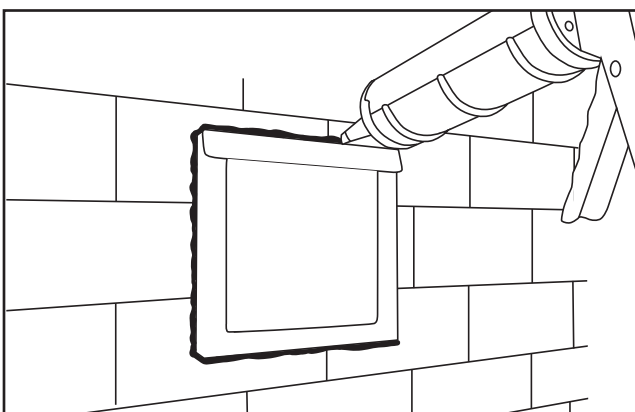
Insert DryerWallVent collar into 4" duct.

*a. If installing a No Collar unit, align opening with duct.*



## STEP FOUR

To secure to the substrate, install exterior rated fasteners through the inner screw holes.

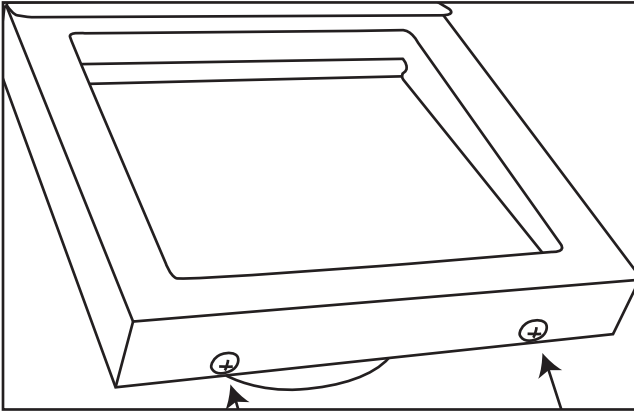


## STEP FIVE

Apply sealant to sides in contact with final exterior surface. (Tip: Bottom may be unsealed to allow for weeping.)

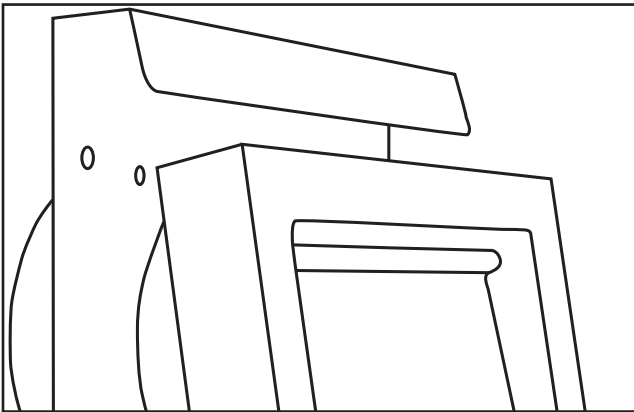
# Backing Plate Installation

If substrate material does not exist directly behind the inner screw holes, the secondary backing plate will allow for a wider footprint.



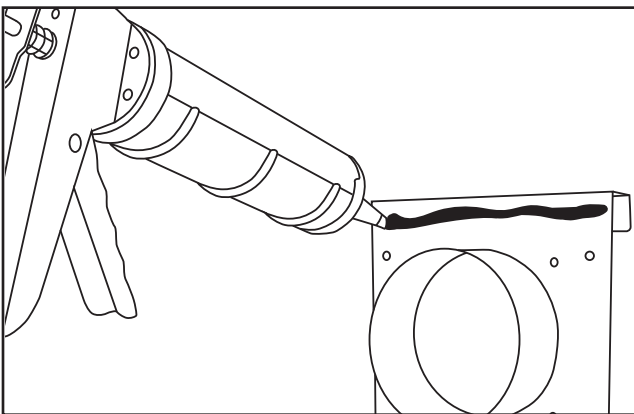
## STEP ONE

To expose the fastener holes on the backing plate, remove the two # 6 screws on the bottom of the DryerWallVent.



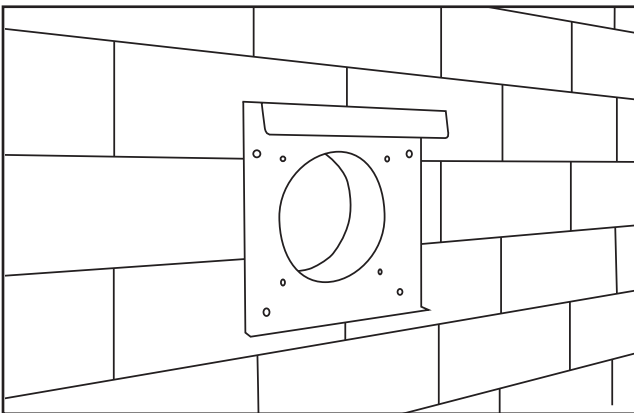
## STEP TWO

Remove the damper assembly.



## STEP THREE

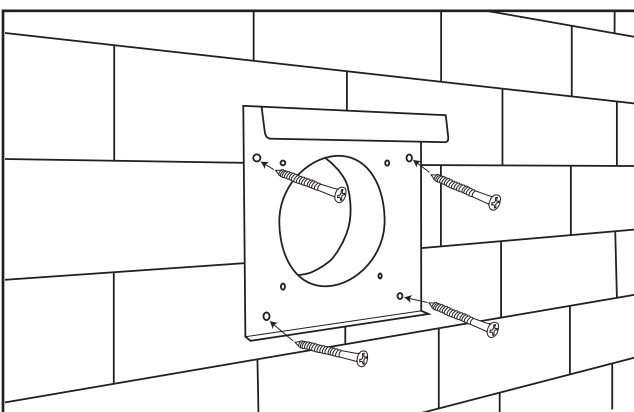
Add sealant around the perimeter of the backing plate.



## STEP FOUR

Insert DryerWallVent collar into 4" duct.

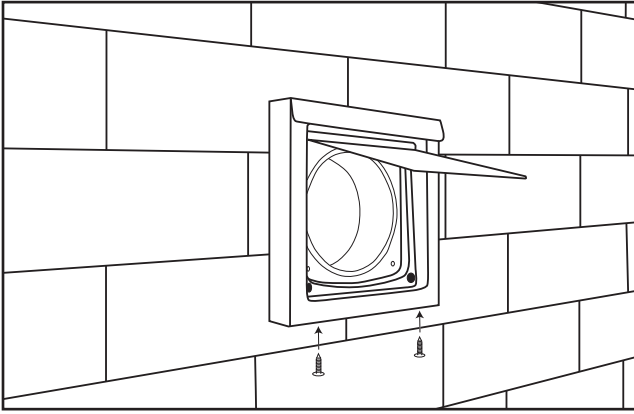
*a. If installing a No Collar unit, align opening with duct.*



## STEP FIVE

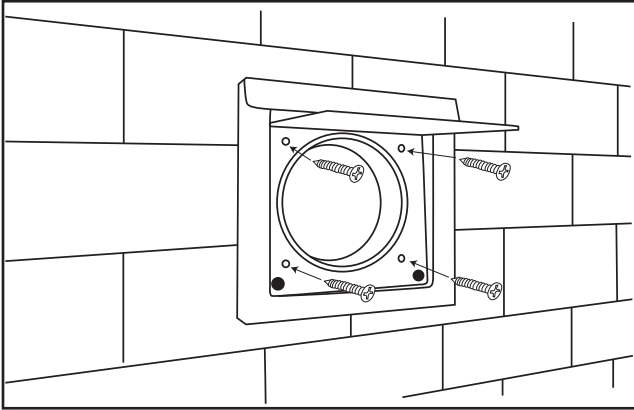
Install exterior rated fasteners through the outer backing plate holes.

# Backing Plate Install Cont'd



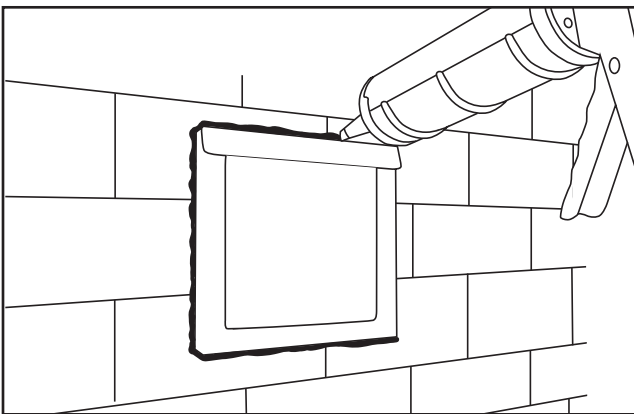
## STEP SIX

Insert damper assembly under the drip edge and secure bottom with the #6 screws.



## STEP SEVEN

For added security, #14 exterior rated screws may be used in the inner screw holes.



## STEP EIGHT

Apply sealant to sides in contact with final exterior surface. (Tip: Bottom may be unsealed to allow for weeping.)

InOvate warrants the DryerWallVent to be free from defects in materials, workmanship, or design under normal use for a period of one year from the date of purchase provided that it is properly installed per instructions and generally accepted good craftsmanship. The obligation of InOvate under this warranty is limited to, at its sole discretion, repairing or replacing the DryerWallVent.

Disclaimer. EXCEPT FOR THE WARRANTY SET FORTH IN THIS INSTRUCTION SHEET, INOVATE MAKES NO WARRANTY WHATSOEVER WITH RESPECT TO THE GOODS, INCLUDING ANY (A) WARRANTY OF MERCHANTABILITY; OR (B) WARRANTY OF USE FOR A PARTICULAR PURPOSE; OR (C) WARRANTY AGAINST INFRINGEMENT OF INTELLECTUAL PROPERTY RIGHTS OF A THIRD PARTY; WHETHER EXPRESS OR IMPLIED BY LAW, COURSE OF DEALING, COURSE OF PERFORMANCE, USAGE OF TRADE OR OTHERWISE. FURTHERMORE, THERE ARE NO WARRANTIES WHICH EXTEND BEYOND THE DESCRIPTION OF THE WARRANTY PROVIDED ABOVE AND DISTRIBUTORS, INSTALLERS, AND CUSTOMERS ACKNOWLEDGE THAT THE GOODS ARE SOLD IN THEIR "AS IS", "WHERE IS" CONDITION.

THE REMEDIES OF DISTRIBUTORS, INSTALLERS, AND CUSTOMERS ARE LIMITED AND UNDER NO CIRCUMSTANCES WILL INOVATE BE LIABLE TO DISTRIBUTORS, INSTALLERS, AND CUSTOMERS OR ANY THIRD PARTY FOR ANY LOSSES OR DAMAGES THAT ARE OF A PUNITIVE, CONSEQUENTIAL, INCIDENTAL OR EXEMPLARY NATURE, INCLUDING, BUT NOT LIMITED TO, LOST PROFITS, LOSS OF GOODWILL AND LOST BUSINESS/INVESTMENT OPPORTUNITIES.

Made in the U.S.A.