

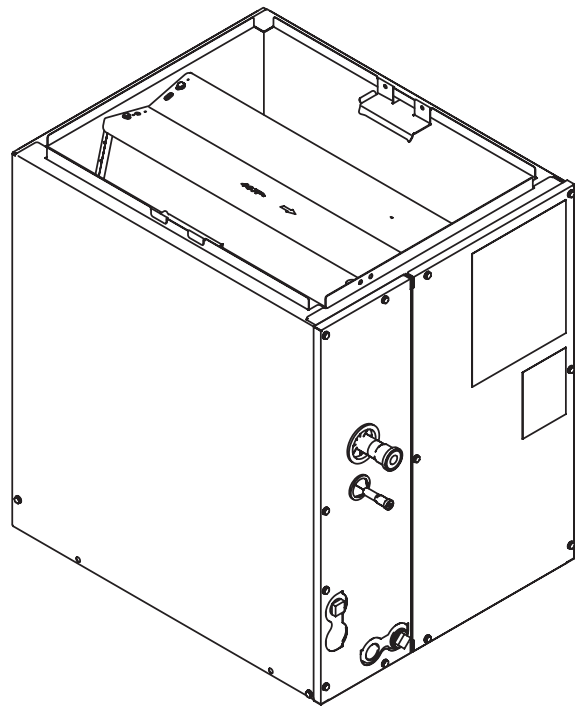


TRANE®

Cased Aluminum Dedicated Upflow / Downflow Coils Convertible to Horizontal with Kit

4PXC

Heat Pump / Cooling Coils for R-410A
2 - 5 Ton



22-1962-1A-EN



Aluminum Heat Pump Coil Nomenclature

Heat Pump/ Cooling Coils

1 2 3 4 5 6 7 8 9 10 11 12 13 14 15
 4 T X C B 0 3 6 A C 3 H C A A
 ▲ ▲ ▲ ▲ ▲ ▲ ▲ ▲ ▲ ▲ ▲ ▲ ▲ ▲ ▲

Refrigerant Type

4 = R-410A

Series

- T = Premium (Heat Pump)
- N = Premium (Cooling and HP)
- P = Premium High Efficiency - Dedicated position (Cooling and HP)
- C = Standard (Cooling Only)
- F = Entry Level (Cooling Only)

Coil Design

X = Direct Expansion Evaporator Coil

Coil Feature

- C = Cased A Coil
- A = Uncased A Coil
- F = Cased Horizontal Flat Coil

Coil Width (Cased/Uncased)

- A = 14.5" / 13.3"
- B = 17.5" / 16.3"
- C = 21.0" / 19.8"
- D = 24.5" / 23.3"
- H = 10.5"

Refrigerant Line Coupling / Airflow Configuration

- 0 = Brazed
- U = Upflow only, convertible to Horizontal Left
- D = Downflow only, convertible to Horizontal Right

Nominal Capacity in 1000's (BTUH) / Model Number Distinguisher

Major Design Change

Efficiency

- C = Standard
- S = High Efficiency (derived from 10 SEER products)
- Z = High Efficiency (TXV modulates to 50%)

Refrigerant Control

3 = TXV - Non-Bleed

Coil Circuitry

- H = Heat Pump
- C = Cooling

Airflow Configuration

- A = Upflow
- U = Upflow /Downflow
- D = Downflow
- R = Downflow / Horizontal Right
- H = Horizontal Left/Right
- C = Convertible - Upflow, Downflow, Left or Right

Minor Design Change

Service Digit - Not Orderable



General Data

PRODUCT SPECIFICATIONS^[1] -- 4PXC - SPLIT SYSTEM HEAT PUMP / COOLING CASED DEDICATED UPFLOW COMFORT™ COILS ^[2]

Model	4PXCAU24BS3HAB	4PXCAU32BS3HAB	4PXCUBU24BS3HAB	4PXCUBU30BS3HAB
INDOOR COIL -- Type	PLATE FIN	PLATE FIN	PLATE FIN	PLATE FIN
Cooling Capacity (Tons)	1.5 - 2.0	1.5 - 3.0	1.5 - 2.0	1.5 - 3.0
Rows / F.P.I.	2 / 20	2 / 20	2 / 20	3 / 14
Face Area (sq.ft.)	3.0	4.5	3.0	3.5
Tube Size	3/8	3/8	3/8	3/8
Refrigerant Control	Non-Bleed TXV	Non-Bleed TXV	Non-Bleed TXV	Non-Bleed TXV
Internal check valve	Yes	Yes	Yes	Yes
Drain Conn. Size (in.)	3/4 NPT	3/4 NPT	3/4 NPT	3/4 NPT
Duct Connections	See outline drawing	See outline drawing	See outline drawing	See outline drawing
REFRIGERANT CONNECTIONS	R-410A BRAZED	R-410A BRAZED	R-410A BRAZED	R-410A BRAZED
Line Size -- Gas (in.)	3/4	3/4	3/4	3/4
Line Size -- Liquid (in.)	3/8	3/8	3/8	3/8
DIMENSIONS (in.)	H X W X D	H X W X D	H X W X D	H X W X D
Crated (H x W x D)	21.35 x 17.5 x 26.5	26.35 x 17.5 x 26.5	21.35 x 20.5 x 26.5	21.35 x 20.5 x 26.5
Uncrated	17.6 x 14.5 x 21.5	22.6 x 14.5 x 21.5	17.6 x 17.5 x 21.5	17.6 x 17.5 x 21.5
WEIGHT (lbs)				
Shipping -- Net	39 / 31	43 / 35	42 / 34	47 / 39

Model	4PXCCU30BS3HAB	4PXCUBU36BS3HAB	4PXCCU36BS3HAB	4PXCUBU42BS3HAB
INDOOR COIL -- Type	PLATE FIN	PLATE FIN	PLATE FIN	PLATE FIN
Cooling Capacity (Tons)	1.5 - 3.0	2.0 - 3.5	2.0 - 4.0	2.0 - 3.5
Rows / F.P.I.	3 / 14	3 / 12	3 / 12	3 / 14
Face Area (sq.ft.)	3.5	5.0	5.0	5.5
Tube Size	3/8	3/8	3/8	3/8
Refrigerant Control	Non-Bleed TXV	Non-Bleed TXV	Non-Bleed TXV	Non-Bleed TXV
Internal check valve	Yes	Yes	Yes	Yes
Drain Conn. Size (in.)	3/4 NPT	3/4 NPT	3/4 NPT	3/4 NPT
Duct Connections	See outline drawing	See outline drawing	See outline drawing	See outline drawing
REFRIGERANT CONNECTIONS	R-410A BRAZED	R-410A BRAZED	R-410A BRAZED	R-410A BRAZED
Line Size -- Gas (in.)	3/4	7/8	7/8	7/8
Line Size -- Liquid (in.)	3/8	3/8	3/8	3/8
DIMENSIONS (in.)	H X W X D	H X W X D	H X W X D	H X W X D
Crated (H x W x D)	21.35 x 24 x 26.5	26.35 x 20.5 x 26.5	26.35 x 24 x 26.5	30.65 x 20.5 x 26.5
Uncrated	17.6 x 21 x 21.5	22.6 x 17.5 x 21.5	22.6 x 21 x 21.5	26.9 x 17.5 x 21.5
WEIGHT (lbs)				
Shipping -- Net	49 / 41	54 / 46	56 / 48	61 / 53

[1] These indoor coils are A.H.R.I. certified with various split system air conditioners and heat pumps (A.H.R.I. Standard 210/240). Refer to the Split System Outdoor product information site or www.ahrinet.org

[2] Convertible to Horizontal Left with Kit



General Data

PRODUCT SPECIFICATIONS^[1] -- 4PXC - SPLIT SYSTEM HEAT PUMP / COOLING CASED DEDICATED UPFLOW COMFORT™ COILS^[2]

Model	4PXCCU42BS3HAB	4PXCBU48BS3HAB	4PXCCU48BS3HAB	4PXCDU48BS3HAB
INDOOR COIL -- Type	PLATE FIN	PLATE FIN	PLATE FIN	PLATE FIN
Cooling Capacity (Tons)	2.5 - 3.5	2.0 - 4.0	3.0 - 5.0	3.0 - 5.0
Rows / F.P.I.	3 / 14	3 / 14	3 / 14	3 / 14
Face Area (sq.ft.)	5.5	6.0	6.0	6.0
Tube Size	3/8	3/8	3/8	3/8
Refrigerant Control	Non-Bleed TXV	Non-Bleed TXV	Non-Bleed TXV	Non-Bleed TXV
Internal check valve	Yes	Yes	Yes	Yes
Drain Conn. Size (in.)	3/4 NPT	3/4 NPT	3/4 NPT	3/4 NPT
Duct Connections	See outline drawing	See outline drawing	See outline drawing	See outline drawing
REFRIGERANT CONNECTIONS	R-410A BRAZED	R-410A BRAZED	R-410A BRAZED	R-410A BRAZED
Line Size -- Gas (in.)	7/8	7/8	7/8	7/8
Line Size -- Liquid (in.)	3/8	3/8	3/8	3/8
DIMENSIONS (in.)	H X W X D	H X W X D	H X W X D	H X W X D
Crated (H x W x D)	30.65 x 24 x 26.5	30.65 x 20.5 x 26.5	30.65 x 24 x 26.5	30.65 x 27.5 x 26.5
Uncrated	26.9 x 21 x 21.5	26.9 x 17.5 x 21.5	26.9 x 21 x 21.5	26.9 x 24.5 x 21.5
WEIGHT (lbs)				
Shipping -- Net	64 / 56	61 / 53	64 / 56	68 / 60

Model	4PXCCU60BS3HAB	4PXCDU60BS3HAB
INDOOR COIL -- Type	PLATE FIN	PLATE FIN
Cooling Capacity (Tons)	3.5 - 5.0	3.5 - 5.0
Rows / F.P.I.	3 / 12	3 / 12
Face Area (sq.ft.)	6.0	6.0
Tube Size	3/8	3/8
Refrigerant Control	Non-Bleed TXV	Non-Bleed TXV
Internal check valve	Yes	Yes
Drain Conn. Size (in.)	3/4 NPT	3/4 NPT
Duct Connections	See outline drawing	See outline drawing
REFRIGERANT CONNECTIONS	R-410A BRAZED	R-410A BRAZED
Line Size -- Gas (in.)	7/8	7/8
Line Size -- Liquid (in.)	3/8	3/8
DIMENSIONS (in.)	H X W X D	H X W X D
Crated (H x W x D)	34.45 x 24 x 26.5	34.45 x 27.5 x 26.5
Uncrated	30.7 x 21 x 21.5	30.7 x 24.5 x 21.5
WEIGHT (lbs)		
Shipping -- Net	73 / 65	77 / 69

[1] These indoor coils are A.H.R.I. certified with various split system air conditioners and heat pumps (A.H.R.I. Standard 210/240).
Refer to the Split System Outdoor product information site or www.ahrinet.org

[2] Convertible to Horizontal Left with Kit



General Data

PRODUCT SPECIFICATIONS^[1] -- 4PXC - SPLIT SYSTEM HEAT PUMP / COOLING CASED DEDICATED DOWNFLOW COMFORT™ COILS ^[2]

Model	4PXCBD30BS3HDB	4PXCBD36BS3HDB	4PXCCD36BS3HDB	4PXCBD42BS3HDB
INDOOR COIL -- Type	PLATE FIN	PLATE FIN	PLATE FIN	PLATE FIN
Cooling Capacity (Tons)	1.5 - 3.0	2.0 - 3.5	2.0 - 4.0	2.0 - 3.5
Rows / F.P.I.	3 / 14	3 / 12	3 / 12	3 / 14
Face Area (sq.ft.)	3.5	5.0	5.0	5.5
Tube Size	3/8	3/8	3/8	3/8
Refrigerant Control	Non-Bleed TXV	Non-Bleed TXV	Non-Bleed TXV	Non-Bleed TXV
Internal check valve	Yes	Yes	Yes	Yes
Drain Conn. Size (in.)	3/4 NPT	3/4 NPT	3/4 NPT	3/4 NPT
Duct Connections	See outline drawing	See outline drawing	See outline drawing	See outline drawing
REFRIGERANT CONNECTIONS	R-410A BRAZED	R-410A BRAZED	R-410A BRAZED	R-410A BRAZED
Line Size -- Gas (in.)	3/4	7/8	7/8	7/8
Line Size -- Liquid (in.)	3/8	3/8	3/8	3/8
DIMENSIONS (in.)	H X W X D	H X W X D	H X W X D	H X W X D
Crated (H x W x D)	21.35 x 20.5 x 26.5	26.35 x 20.5 x 26.5	26.35 x 24 x 26.5	30.65 x 20.5 x 26.5
Uncrated	17.6 x 17.5 x 21.5	22.6 x 17.5 x 21.5	22.6 x 21 x 21.5	26.9 x 17.5 x 21.5
WEIGHT (lbs)				
Shipping -- Net	47 / 39	54 / 46	56 / 48	61 / 53

Model	4PXCCD42BS3HDB	4PXCCD60BS3HDB	4PXCCD60BS3HDB
INDOOR COIL -- Type	PLATE FIN	PLATE FIN	PLATE FIN
Cooling Capacity (Tons)	2.5- 3.5	3.5 - 5.0	3.5 - 5.0
Rows / F.P.I.	3 / 14	3 / 12	3 / 12
Face Area (sq.ft.)	5.5	6.0	6.0
Tube Size	3/8	3/8	3/8
Refrigerant Control	Non-Bleed TXV	Non-Bleed TXV	Non-Bleed TXV
Internal check valve	Yes	Yes	Yes
Drain Conn. Size (in.)	3/4 NPT	3/4 NPT	3/4 NPT
Duct Connections	See outline drawing	See outline drawing	See outline drawing
REFRIGERANT CONNECTIONS	R-410A BRAZED	R-410A BRAZED	R-410A BRAZED
Line Size -- Gas (in.)	7/8	7/8	7/8
Line Size -- Liquid (in.)	3/8	3/8	3/8
DIMENSIONS (in.)	H X W X D	H X W X D	H X W X D
Crated (H x W x D)	30.65 x 24 x 26.5	34.45 x 24 x 26.5	34.45 x 27.5 x 26.5
Uncrated	26.9 x 21 x 21.5	30.7 x 21 x 21.5	30.7 x 24.5 x 21.5
WEIGHT (lbs)			
Shipping -- Net	64 / 56	73 / 65	77 / 69

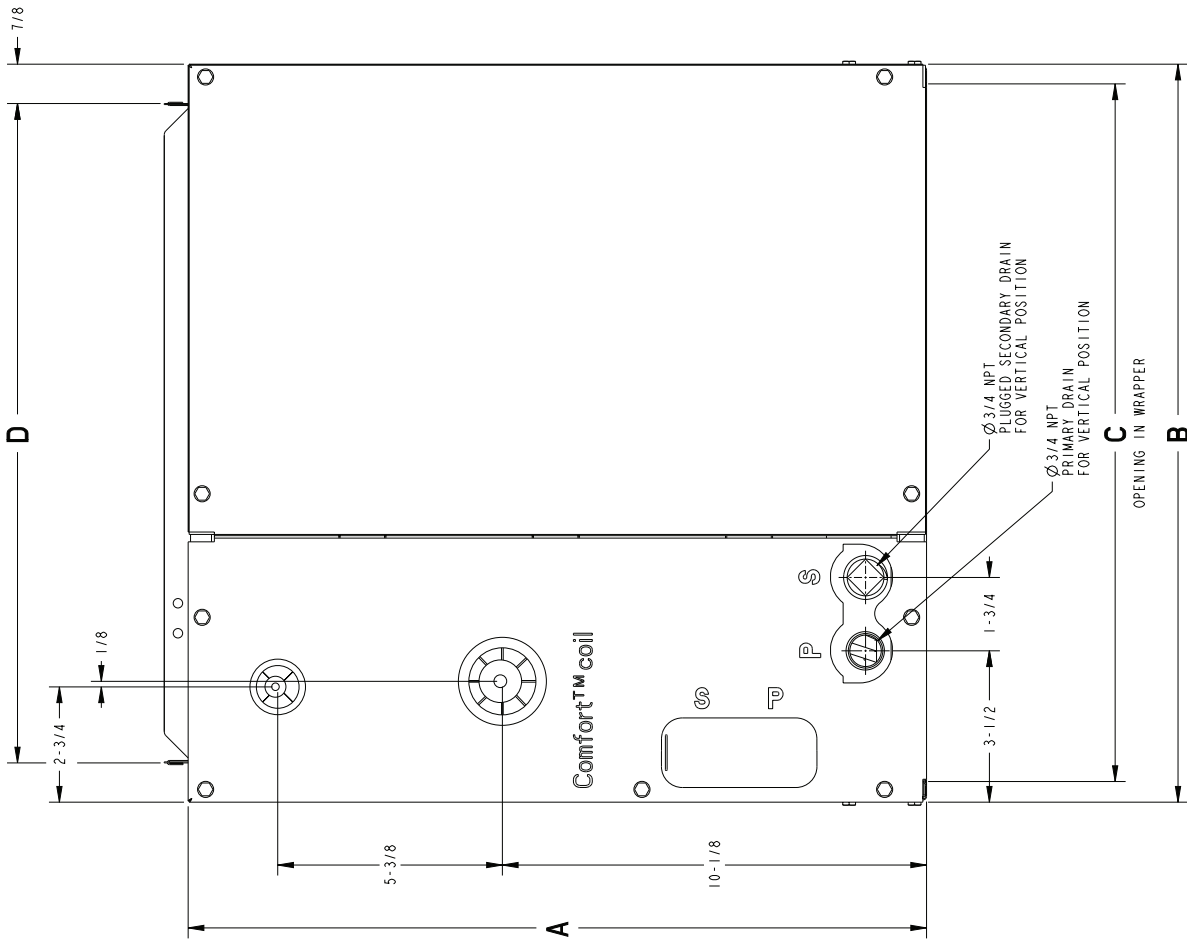
[1] These indoor coils are A.H.R.I. certified with various split system air conditioners and heat pumps (A.H.R.I. Standard 210/240).
Refer to the Split System Outdoor product information site or www.ahrinet.org

[2] Convertible to Horizontal Right with Kit



Performance Data

PRESSURE DROP CHARACTERISTICS FOR COOLING AND HEAT PUMP COILS							
AIRFLOW (SCFM) VS. PRESSURE DROP ACROSS WET COIL							
PRESSURE DROP (INCHES OF WATER COLUMN)							
MODEL	0.1	0.15	0.2	0.25	0.3	0.35	0.4
4PXCAU24BS3HAB	340	430	510	585	650	715	775
4PXCAU32BS3HAB	570	725	860	985	1100	1200	1305
4PXCBD30BS3HDB	510	645	760	865	965	1055	1140
4PXCBD36BS3HDB	645	810	950	1080	1200	1305	1410
4PXCBD42BS3HDB	585	745	880	1000	1115	1220	1315
4PXCBU24BS3HAB	435	555	660	755	840	920	995
4PXCBU30BS3HAB	525	665	790	900	1000	1095	1180
4PXCBU36BS3HAB	655	825	970	1100	1220	1330	1435
4PXCBU42BS3HAB	625	790	935	1065	1185	1295	1400
4PXCBU48BS3HAB	640	815	965	1095	1220	1335	1445
4PXCCD36BS3HDB	760	955	1125	1275	1415	1540	1665
4PXCCD42BS3HDB	695	880	1040	1185	1315	1440	1555
4PXCCD60BS3HDB	720	920	1095	1250	1390	1525	1655
4PXCCU30BS3HAB	540	680	805	920	1020	1120	1210
4PXCCU36BS3HAB	770	970	1145	1300	1440	1570	1696
4PXCCU42BS3HAB	735	930	1105	1255	1400	1530	1655
4PXCCU48BS3HAB	760	965	1140	1300	1445	1580	1710
4PXCCU60BS3HAB	740	940	1120	1280	1425	1565	1695
4PXCDD60BS3HDB	815	1040	1235	1410	1575	1725	1870
4PXCDDU48BS3HAB	870	1100	1300	1485	1650	1805	1950
4PXCDDU60BS3HAB	835	1065	1265	1445	1615	1770	1915



From Dwg. D346711 RevB

FIGURE B

General Data

HORIZONTAL CONVERSION KIT LISTED BY COIL MATCH

Model Number	Horizontal Kit No.
4PXCAU24BS3HAB 4PXCAU32BS3HAB 4PXCBU24BS3HAB 4PXCBU30BS3HAB 4PXCCU30BS3HAB 4PXCBD30BS3HDB	BAYCONV18B
4PXCBU36BS3HAB 4PXCCU36BS3HAB 4PXCBD36BS3HDB 4PXCCD36BS3HDB	BAYCONV23B
4PXCBU42BS3HAB 4PXCCU42BS3HAB 4PXCBU48BS3HAB 4PXCCU48BS3HAB 4PXCDU48BS3HAB 4PXCBD42BS3HDB 4PXCCD42BS3HDB	BAYCONV27B
4PXCCU60BS3HAB 4PXCDU60BS3HAB 4PXCCD60BS3HDB 4PXCDD60BS3HDB	BAYCONV30B



Trane - by Trane Technologies (NYSE: TT), a global climate innovator - creates comfortable, energy efficient indoor environments for commercial and residential applications. For more information, please visit trane.com or tranetechnologies.com.

Trane has a policy of continuous data improvement and it reserves the right to change design and specifications without notice. We are committed to using environmentally conscious print practices.