



The new degree of comfort.®

## Endeavor™ Line *Prestige*® Series Gas Furnaces



This product meets a stringent set of our internally defined sustainability standards



### R98MV

98% A.F.U.E.†

EcoNet® Enabled

Heating Stages: Modulating

Motor Type: Constant CFM

Input Rates: 60 to 115 kBTU [11.6 to 33.7 kW]

Configuration Options: Upflow



† A.F.U.E. (Annual Fuel Utilization Efficiency) calculated in accordance with Department of Energy test procedures.

## Table of Contents

Features & Benefits .....	3
Model Number Identification .....	4
Physical Data and Specifications .....	5
Dimensional Data .....	6
Blower Performance Data .....	7
Accessories .....	8–9
Limited Warranty .....	12

## Features and Benefits

- **PlusOne® Energy Efficiency:** ENERGY STAR® certified, featuring 98% AFUE across all model sizes
- **PlusOne® Diagnostics:** Industry first, 7-Segment LED Display makes service calls quick and easy
- **PlusOne® Ignition System:** Proven Direct Spurt Ignition (DSI) for reliability and longevity
- **PlusOne® Water Management System:** Exclusive patented block drain sensor that automatically shuts off the furnace when the drain is blocked and alerts the contractor via diagnostic code
- **Modulating Heating Stage:** Gradual auto-adjustment from low to 100% of capacity to meet precise comfort requirements
- **Constant CFM Motor:** Truly variable speed technology allows for ultimate humidity control, quieter sounds levels and year-round energy savings
- **Quietest Operation<sup>1</sup>:** A fully insulated blower cabinet, solid bottom and truly variable speed airflow technology makes this furnace of the quietest available
- **EcoNet® Enabled Furnace:** The latest in sensor technology and the EcoNet® monitoring system provides a new level of protection, control and energy savings
- **Allows on-the-go control** and receipt of system alerts by the homeowner via the EcoNet® Smart Thermostat and EcoNet® App<sup>2</sup>

<sup>1</sup>Based on manufacturer's furnace offering, and the product's heating stages, motor type and cabinet insulation. Sound levels are also dependent on furnace location and installation.

<sup>2</sup>Wifi broadband internet connection required. Download the EcoNet® App from the App Store® or Google Play® to set up your EcoNet® Smart Thermostat. Receipt of notifications depend on home WiFi set up. Amazon, Alex and all related logos are trademarks of Amazon.com, Inc. or its affiliates.

# Gas Furnaces

<u>R</u>	<u>98</u>	<u>M</u>	<u>V</u>	<u>060</u>	<u>3</u>	<u>A</u>	<u>17</u>	<u>M4</u>	<u>S</u>	<u>G</u>	<u>A</u>	<u>P</u>
Brand	Furnace Efficiency	Stages of Heating	Motor Type	Heating Input	AC Max. Capacity	Major Series	Width	Position	NOx	Controls	Minor Series	Option Code
R - Rheem	98 - 98% AFUE	M - Modulating	V - ECM Variable Speed	060 - 76,000 [17.6 kW] 070 - 70,000 [20.5 kW] 085 - 85,000 [24.9 kW] 100 - 100,000 [29.3 kW] 115 - 115,000 [33.7 kW]	3 - 3 ton drive 5 - 5 ton drive	A - 1st Design Series	17 - 17.5" Width 21 - 21" Width 24 - 24.5" Width	M4 - Multi-4 Way	S - Standard	G - Communicating, EcoNet®	A - 1st Series	P - Premium Grade

[ ] Designates Metric Conversions

AVAILABLE MODELS
R98MV0603A17UPSGAP
R98MV0703A17UPSGAP
R98MV0855A21UPSGAP
R98MV1005A21UPSGAP
R98MV1155A24UPSGAP

STANDARD EQUIPMENT
Multi-speed Constant CFM motor
Complete assembly and wiring
Blocked Drain Sensor
7 Segment LED & marked hoses
Primary aluminized steel heat exchanger
29-4C stainless steel secondary heat exchanger
Induced Draft Blower
Pressure switches
Redundant main gas control
Limit controls
Manual shut-off valve
100% safety lock out
Blower compartment door safety switch
Solid State Time on/off blower control
Cool fan off delay
Field Selectable Heat Fan Off Delay
Low speed continuous fan option
Single Speed Option for Heating & Cooling Applications
One-hour automatic retry
Power and self-test diagnostics
Flame sense current diagnostics
Electronic air cleaner connections
Twinning (built-in) features
Humidifier connections
Humidifier on/off delay
Transformer
Direct drive
Solid bottom

**WARNING**  
THIS FURNACE IS NOT APPROVED  
OR RECOMMENDED  
FOR USE IN MOBILE HOMES

## Physical Data and Specifications U.S. and Canadian Models

MODEL NUMBER	(-)98V(-)060A317U(--)	(-)98V(-)070A317U(--)	(-)98V(-)085A521U(-)	(-)98V(-)100A521U(--)	(-)98V(-)115A524U(--)
HIGH FIRE INPUT BTU/HR [kW]	56,000 [16.41]	70,000 [20.50]	84,000 [24.61]	98,000 [28.72]	112,000 [32.82]
LOW FIRE INPUT	22,400 [6.56]	28,000 [8.21]	33,600 [9.85]	39,000 [11.49]	44,800 [13.13]
HEATING CAPACITY BTU/HR [kW]	55,000 [16.12]	69,000 [20.22]	83,000 [24.32]	97,000 [28.43]	110,000 [32.24]
BLOWER (D x W) [mm]	11 x 8 [279 x 203]	11 x 8 [279 x 203]	11 x 10 [279 x 254]	11 x 10 [279 x 254]	11 x 11 [279 x 279]
MOTOR H. P. [W]-TYPE	1/2 [373] E. C. M.	1/2 [373] E. C. M.	3/4 [559] E. C. M.	3/4 [559] E. C. M.	3/4 [559] E. C. M.
MIN. CIRCUIT AMPACITY	10.00	10.00	12.00	13.00	12.00
MIN. OVERLOAD PROTECTION DEVICE	15.00	15.00	15.00	15.00	15.00
MAX. OVERLOAD PROTECTION DEVICE	15.00	15.00	20.00	20.00	20.00
MINIMUM EXT. STATIC PRESSURE IN. W.C. [kPa]	.20 [.050]	.23 [.057]	.28 [.070]	.28 [.070]	.28 [.070]
MAXIMUM EXT. STATIC PRESSURE IN. W.C. [kPa]	1.0 [0.249]	1.0 [0.249]	1.0 [0.249]	1.0 [0.249]	1.0 [0.249]
MAXIMUM HEATING CFM [L/s]	954 [450]	1109 [524]	1294 [611]	1644 [776]	1629 [769]
COOLING CFM @ .50" W.C. [.124 kPa] E.S.P. [L/s]	1050 [496]	1050 [496]	1750 [825]	1750 [825]	1750 [825]
TEMPERATURE RISE- HIGH FIRE °F [°C]	40 - 70 [22 - 39]	40 - 70 [22 - 39]	40 - 70 [22 - 39]	40 - 70 [22 - 39]	45 - 75 [25 - 41]
TEMPERATURE RISE- LOW FIRE °F [°C]	20 - 50 [11 - 28]	20 - 50 [11 - 28]	20 - 50 [11 - 28]	25 - 55 [13 - 30]	20 - 50 [11 - 28]
APPROX. SHIPPING WEIGHT (LBS) [kg]	128 [58]	132 [60]	147.5 [67]	152 [69]	165 [75]
AFUE ①	98.7%	98.3%	98.1%	98.1%	98.6%

NOTES: All models are 115V, 60HZ, 1 phase Gas connection size for all models is 1/2" [13 mm] N.P.T.

① In accordance with D.O.E. test procedures.

\*S=Standard Models

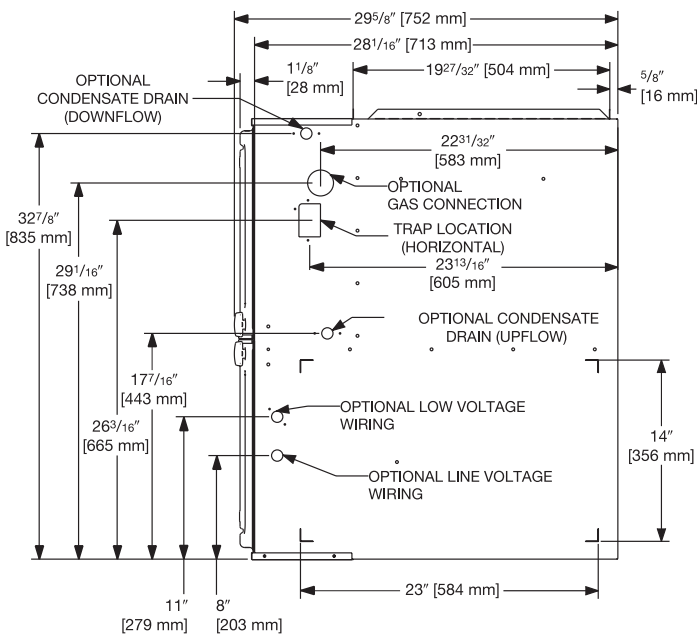
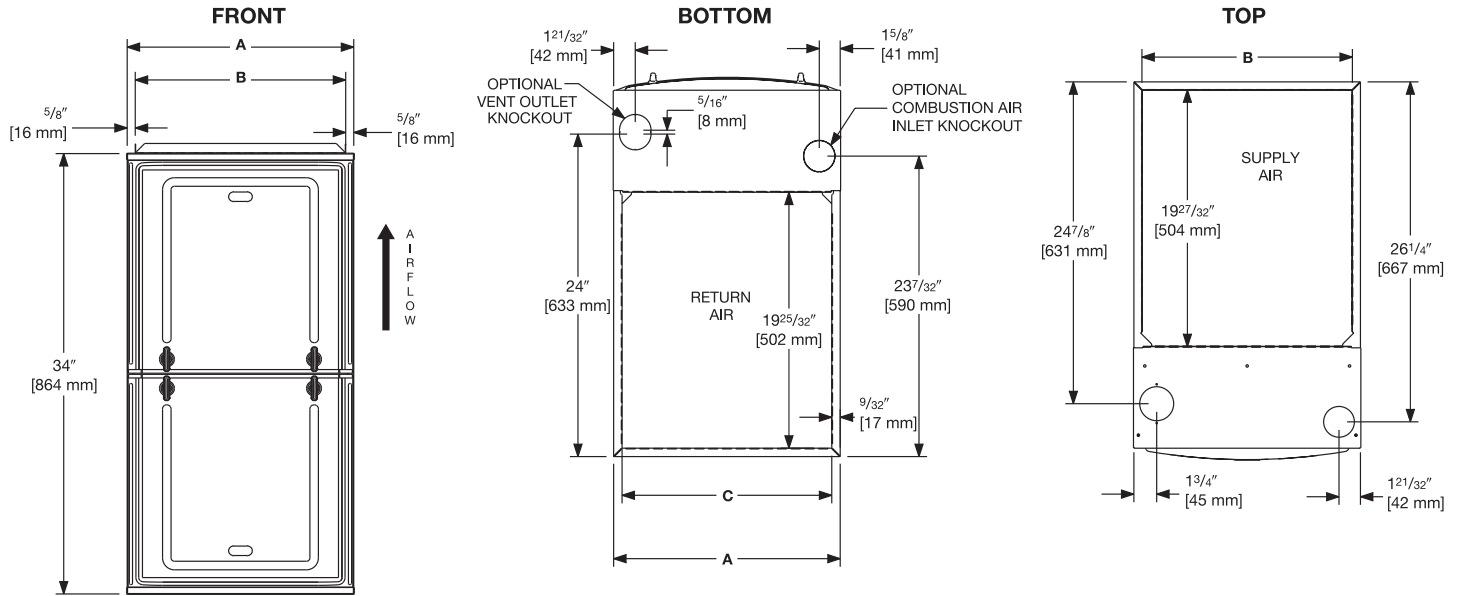
NOTE: Standard model complies with California low NOx requirements.

This furnace does not meet air district requirements of 14 ng/J NOx emissions limit, and thus is subject to a mitigation fee of up to \$450. This furnace is not eligible for the Clean Air Furnace Rebate Program: [www.CleanAirFurnaceRebate.com](http://www.CleanAirFurnaceRebate.com).

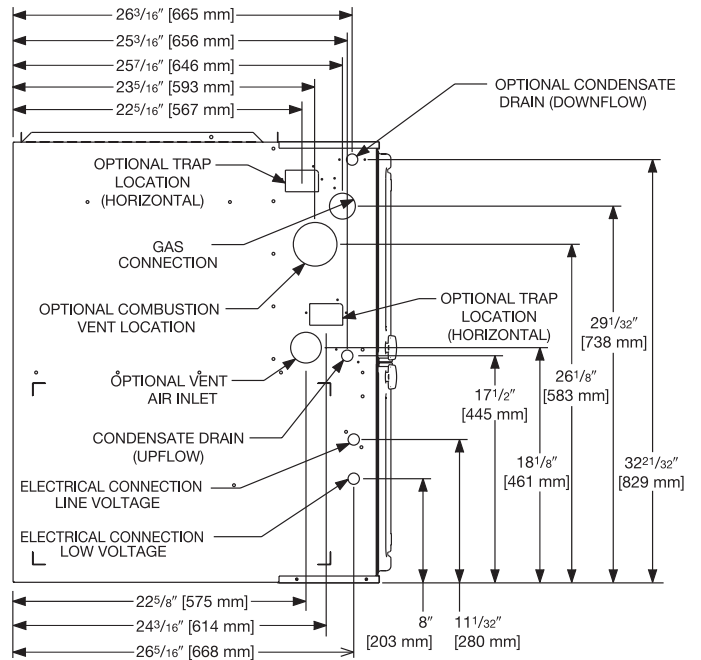
This furnace is to be installed for propane firing only in air districts requiring 14 ng/J NOx emission limits. Operating in natural gas mode is in violation of these Rules.

[ ] Designates Metric Conversions

## Upflow Application



RIGHT SIDE



LEFT SIDE

## Dimensional Data: Upflow Model

MODEL R98MV	LEFT SIDE	MINIMUM CLEARANCE (IN.) [mm]					SHIP WGTS.	FLANGE DIMENSIONS		
		RIGHT SIDE	BACK	TOP	FRONT	VENT		A	B	C
060	0	0	0	1 [25]	2 [51]	0	128 [58]	17 1/2 [445]	16 17/64 [413]	16 13/64 [412]
070	0	0	0	1 [25]	2 [51]	0	132 [60]	17 1/2 [445]	16 17/64 [413]	16 13/64 [412]
085	0	0	0	1 [25]	2 [51]	0	147.5 [67]	21 [533]	19 49/64 [502]	19 45/64 [500]
100	0	0	0	1 [25]	2 [51]	0	152 [69]	21 [533]	19 49/64 [502]	19 45/64 [500]
115	0	0	0	1 [25]	2 [51]	0	165 [75]	24 1/2 [662]	23 17/64 [591]	23 13/64 [589]

\*A service clearance of at least 24" is recommended in front of all furnaces  
 Supply and return depicted as upflow configuration.  
 Flange configuration will vary depending on installation orientation.

[ ] Designates Metric Conversions

## Blower Performance Data

Comfort Select – CFM Options						
Model Number		(-)98V(-)060A317U(--)	(-)98V(-)070A317U(--)	(-)98V(-)085A521U(-)	(-)98V(-)100A521U(--)	(-)98V(-)115A524U(--)
HEATING CFM [L/s]	LOW HEAT (40%)	428 [202]	466 [220]	568 [268]	544 [257]	778 [367]
	MEDIUM HEAT (65%)	562 [265]	635 [300]	754 [356]	855 [404]	990 [467]
	HIGH HEAT (100%)	749 [353]	871 [411]	1015 [479]	1290 [609]	1286 [607]
Efficiency Select – CFM Options (factory setting)						
HEATING CFM [L/s]	LOW HEAT (40%)	550 [260]	599 [283]	730 [345]	725 [342]	1000 [472]
	MEDIUM HEAT (65%)	690 [325]	778 [367]	926 [437]	1058 [499]	1271 [600]
	HIGH HEAT (100%)	885 [418]	1029 [486]	1200 [566]	1525 [720]	1520 [717]
	MAX HEAT (-4°F)	954 [450]	1109 [524]	1294 [611]	1645 [776]	1629 [769]

\*S = Standard Models

NOTES Standard model complies with California low NOx requirements.

Refer to Installation Manual for complete heating dip switch options.

COOLING CFM								
Model Number			(-)98V(-)060A317U(--)	(-)98V(-)070A317U(--)	(-)98V(-)085A521U(-)	(-)98V(-)100A521U(--)	(-)98V(-)115A524U(--)	
TARGET COOLING/ HEAT PUMP AIRFLOW	HIGH COOLING CFM [L/s]	SW 4 = OFF	SW 5 = OFF	1050 [496]	1050 [496]	1750 [825]	1750 [825]	1750 [825]
		SW 4 = ON	SW 5 = OFF	875 [413]	875 [413]	1400 [661]	1400 [661]	1400 [661]
		SW 4 = OFF	SW 5 = ON	700 [330]	700 [330]	1225 [578]	1225 [578]	1225 [578]
		SW 4 = ON	SW 5 = ON	525 [248]	525 [248]	1050 [496]	1050 [496]	1050 [496]
	LOW COOLING CFM [L/s]	SW 4 = OFF	SW 5 = OFF	788 [372]	788 [372]	1313 [619]	1313 [619]	1313 [619]
		SW 4 = ON	SW 5 = OFF	656 [310]	656 [310]	1050 [496]	1050 [496]	1050 [496]
		SW 4 = OFF	SW 5 = ON	525 [248]	525 [248]	919 [434]	919 [434]	919 [434]
		SW 4 = ON	SW 5 = ON	394 [185]	394 [185]	788 [372]	788 [372]	788 [372]

[ ] Designates Metric Conversions

## Vent Termination Kits:

**RXGY-E02:** Vertical/Horizontal Concentric Vent Termination Kit  
2" Pipe (US Only)

**RXGY-E02A:** Vertical/Horizontal Concentric Vent Termination Kit  
2" Pipe (US & Canadian)

**RXGY-E03:** Vertical/Horizontal Concentric Vent Termination Kit  
3" Pipe (US Only)

**RXGY-E03A:** Vertical/Horizontal Concentric Vent Termination Kit  
3" Pipe (US & Canadian)

**RXGY-G02:** Direct Vent Furnace Side Wall Vent 2" or 3" (US Only)

**RXGY-D05:** Combustion Air Drain Kit 2"

**RXGY-D06:** Combustion Air Drain Kit 3"

**NEUTRALIZER KIT:** RXGY-A01  
(Replacement Cartridge 54-22120-01)

**EXTERNAL BOTTOM FILTER (UPFLOW) RACK:** RXGF-CB

**EXTERNAL SIDE (UPFLOW) FILTER RACK:** RXGF-CD

FILTER RACK FILTER SIZES* INCHES [mm]	
MODEL	RXGF-CD (UPFLOW)
(-)98V(-)060	16 x 24 [40 x 61]
(-)98V(-)070	16 x 24 [40 x 61]
(-)98V(-)085	20 x 24 [51 x 61]
(-)98V(-)100	20 x 24 [51 x 61]
(-)98V(-)115	24 x 24 [61 x 61]

\*Filter racks are shipped without filters.  
A suitable 1" [25.4 mm] filter may be used

[ ] Designates Metric Conversions

## Indoor Coil Casings

MODEL NUMBER
RXBC-D17A1
RXBC-D21A1
RXBC-D21B1
RXBC-D24A1

## For High Altitudes:

NOTE: Modulating furnaces require a unique 2% derate at altitudes above 2,000 feet. See Installation Instructions for details.

### HIGH ALTITUDE KITS

(-)98V(-)060A317U(--) RXGY-F53  
 (-)98V(-)070A317U(--) RXGY-F54  
 (-)98V(-)085A521U(--) RXGY-F55  
 (-)98V(-)100A521U(--) RXGY-F56  
 (-)98V(-)115A524U(--) RXGY-F57

**L.P. CONVERSION KIT:** RXGJ-FP37

**CONDENSATE PUMP KIT:** PROSTOCK & 1PCB151TUL

**COMBUSTIBLE FLOOR BASE:** RXGC-B17  
 RXGC-B21  
 RXGC-B24





## THE ECONET® SMART THERMOSTAT

**BUILT-IN WIFI**

**4.3" LCD TOUCH SCREEN**

**LOCAL WEATHER** – Current conditions plus 6-day forecast

**5 OPERATING MODES** – Heat, Cool, Auto, Emergency Heat and Fan Only

**7-DAY PROGRAMMABLE SCHEDULE** – Offers comfort without thought

**ONE-TOUCH AWAY** – Quickly switch to your energy-saving away preferences

**VACATION SCHEDULING** – Allows you to save while you're away and come home to comfort

**STANDBY SCREEN** – Displays indoor temperature and current weather



**RETST800SYS**

## OPERATIONAL FEATURES

**AUTOMATIC CHANGEOVER** – Transitions between heating and cooling automatically to keep the house comfortable

**INTEGRATED WATER CONTROL** – Enables easy water heater management

**SMOOTH ARRIVAL** – Prompts the system to start ahead of schedule to ensure the home is at the desired temperature at the scheduled time

**HUMIDITY CONTROL** – Supports humidifier accessories or over-cool based dehumidification

**DETAILED OPERATING STATUS** – View pertinent equipment status information and run times

**CONTINUOUS FAN** – Offers 5 speeds (Low, Medium Low, Medium, Medium High, High)

**SHORT-CYCLE PROTECTION** – Avoids damage to equipment from short run cycles

## MONITORING & REMOTE CONTROL FEATURES

**ACTIVE MONITORING** – Alerts to problems that need immediate attention

**REMOTE CONTROL** – Allows adjusting of comfort and settings from anywhere using a mobile device

**SERVICE ALERTS** – Sends routine maintenance reminders

**AIR FILTER MONITORING** – Detects when it's time to replace the air filter

**ALARM HISTORY** – Displays time-stamped alarm codes with clear descriptions







The new degree of comfort.®

**GENERAL TERMS OF LIMITED WARRANTY\***

Rheem will furnish a replacement for any part of this product which fails in normal use and service within the applicable period stated, in accordance with the terms of the limited warranty.

**\*For complete details of the Limited and Conditional Warranties, including applicable terms and conditions, contact your local contractor or the Manufacturer for a copy of the product warranty certificate.**

Conditional Unit Replacement (Registration Required).....	Limited Lifetime
Heat Exchanger .....	Limited Lifetime
Parts .....	Ten (10) Years

**Before proceeding with installation, refer to installation instructions packaged with each model, as well as complying with all Federal, State, Provincial, and Local codes, regulations, and practices.**

© 2022 Rheem Manufacturing Company. Rheem trademarks owned by Rheem Manufacturing Company.

*In keeping with its policy of continuous progress and product improvement, Rheem reserves the right to make changes without notice.*

Rheem Heating, Cooling & Water Heating • 5600 Old Greenwood Road  
Fort Smith, Arkansas 72908 • [www.rheem.com](http://www.rheem.com)

Rheem Canada Ltd./Ltée • 125 Edgeware Road, Unit 1  
Brampton, Ontario • L6Y 0P5