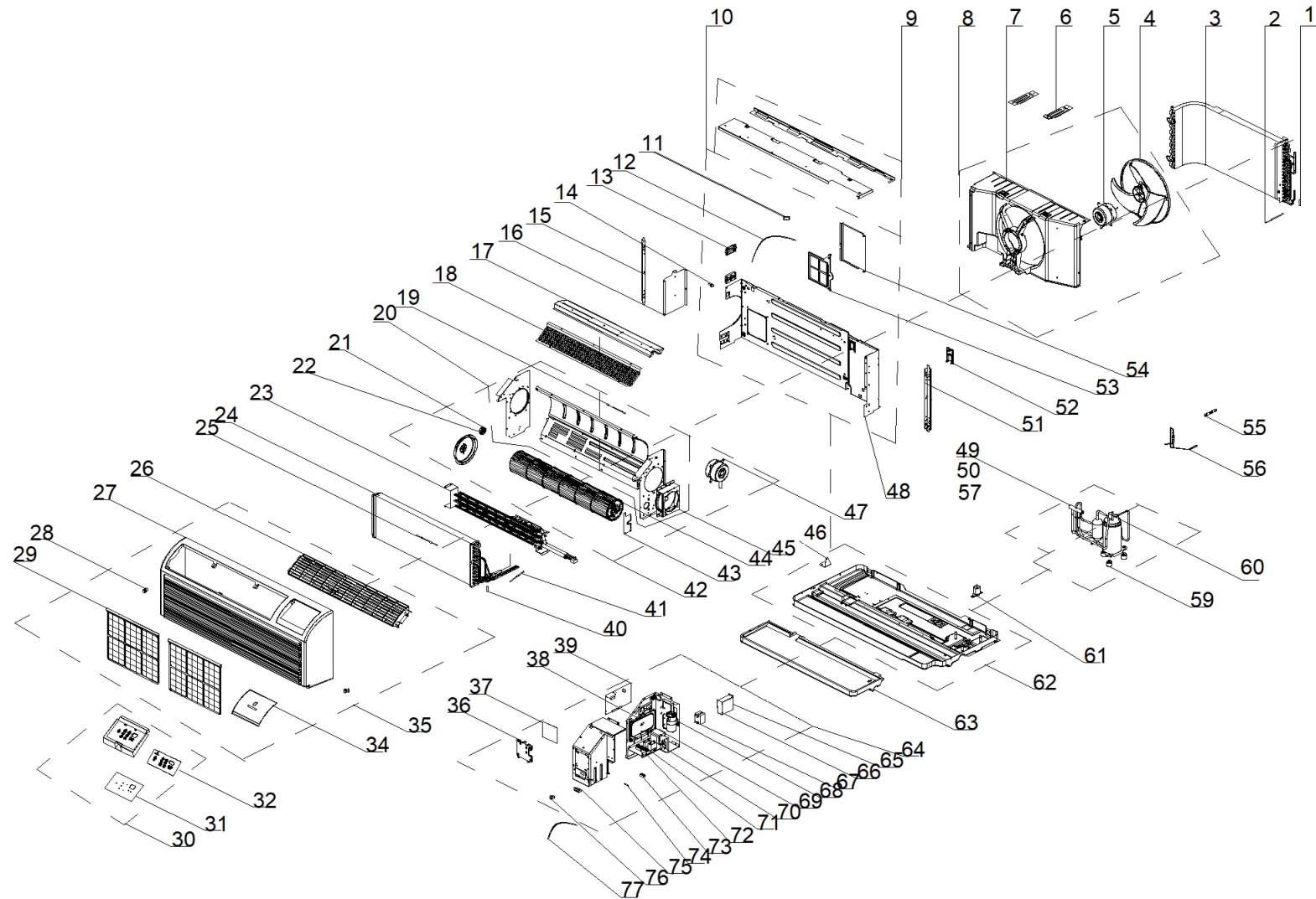





PDH15R5SG




PDH15R5SG

| N. | Part Number | Description | Qty |  |
|----|-------------|---------------------------|-----|---|
| 58 | #N/A | Compressor Gasket | 1 | |
| 59 | 67700161 | Compressor Gasket | 1 | |
| 57 | 68700092 | Reversing Valve Solenoid | 1 | |
| 49 | 68700095 | Reversing Valve | 1 | |
| 69 | 68700111 | Transformer | 1 | |
| 66 | 68700117 | Junction lid | 1 | |
| 65 | 68700120 | Junction box | 1 | |
| 18 | 68700122 | Rear Grill | 1 | |
| 45 | 68700123 | Motor Support Sub Assy | 1 | |
| 43 | 68700126 | Heater Wiring Block Board | 1 | |
| 28 | 68700128 | Front Panel Clip | 1 | |
| 4 | 68700135 | Fan Blade | 1 | |
| 29 | 68700138 | Air Filter | 2 | |
| 27 | 68700142 | Front Panel | 1 | |
| 26 | 68700143 | Air Outlet | 1 | |
| 34 | 68700145 | Control Door | 1 | |
| 22 | 68700146 | Bearing Holder | 1 | |
| 21 | 68700147 | Bearing Holder Sub Assy | 1 | |
| 25 | 68700152 | Ambient Temp Sensor | 1 | |
| 76 | 68700154 | Wiring Terminal | 1 | |


PDH15R5SG

| N. | Part Number | Description | Qty |  |
|----|-------------|---------------------------------------|-----|---|
| 75 | 68700155 | Wiring Terminal | 1 | |
| 72 | 68700156 | Terminal Board | 1 | |
| 73 | 68700157 | Radiator | 1 | |
| 6 | 68700174 | No Longer Available: Connection Board | 1 | |
| 7 | 68700175 | Fan Shroud | 1 | |
| 9 | 68700177 | Top Cover Sub Assy | 1 | |
| 10 | 68700178 | Clapboard Sub Assy | 1 | |
| 5 | 68700184 | Outdoor Fan Motor | 1 | |
| 8 | 68700186 | Flow Guide Loop | 1 | |
| 15 | 68700188 | Outer Support Sub Assy(Left) | 1 | |
| 16 | 68700189 | Baffle Plate | 1 | |
| 17 | 68700190 | Helicoid Tongue | 1 | |
| 20 | 68700192 | Air Duct Sub Assy | 1 | |
| 23 | 68700194 | Electric Heater | 1 | |
| 24 | 68700196 | Evaporator Coil | 1 | |
| 30 | 68700199 | Lcd Cover Sub-Assy | 1 |  |
| 31 | 68700200 | Membrane | 1 | |
| 32 | 68700201 | Display PCB | 1 | |
| 35 | 68700202 | Front Panel Assy | 1 | |
| 38 | 68700203 | Supporting Board | 1 | |

PDH15R5SG

| N. | Part Number | Description | Qty |  |
|----|-------------|--------------------------------|-----|---|
| 36 | 68700205 | Supporting Board | 1 | |
| 37 | 68700207 | Logic PCB | 1 | |
| 39 | 68700208 | Power PCB | 1 | |
| 3 | 68700209 | Condenser Coil | 1 | |
| 50 | 68700215 | Reversing Valve Assy No Coil | 1 | |
| 64 | 68700222 | Electric Box Assy | 1 | |
| 56 | 68700267 | Cap Tube Assy | 1 | |
| 1 | 69700351 | Temp Sensor Kit 20KT/15KS/50KT | 1 | |
| 2 | 69700367 | Temp Sensor | 1 | |
| 41 | 69700367 | Temp Sensor | 1 | |
| 19 | 69700367 | Temp Sensor | 1 | |
| 13 | 69700368 | Hand Lever | 1 | |
| 14 | 69700369 | Hand Lever | 1 | |
| 12 | 69700370 | Door Thread | 1 | |
| 11 | 69700371 | Cable Clamp | 1 | |
| 42 | 69700376 | Air Flue Assy | 1 | |
| 44 | 69700380 | Blower Wheel | 1 | |
| 46 | 69700381 | Condenser Retaining Plate | 1 | |
| 47 | 69700385 | Indoor Fan Motor | 1 | |
| 48 | 69700388 | Clapboard | 1 | |

PDH15R5SG

| N. | Part Number | Description | Qty |  |
|----|-------------|-------------------------------|-----|---|
| 60 | 69700396 | Compressor | 1 | |
| 51 | 69700400 | Outer Support Sub-Assy(Right) | 1 | |
| 52 | 69700401 | Cable Cross Plate | 1 | |
| 53 | 69700402 | Fresh Air Filter | 1 | |
| 54 | 69700403 | Air Inlet Door | 1 | |
| 55 | 69700410 | One Way Valve | 1 | |
| 61 | 69700427 | Drain Valve | 1 | |
| 74 | 69700429 | Chassis Sub-Assy | 1 | |
| 62 | 69700429 | Chassis Sub-Assy | 1 | |
| 63 | 69700430 | Foam (Water Tray) | 1 | |
| 67 | 69700441 | Relay | 1 | |
| 71 | 69700443 | Capacitor | 1 | |
| 70 | 69700444 | Capacitor | 1 | |
| 68 | 69700447 | Capacitor | 1 | |
| 77 | 69700455 | Power Cord | 1 | |