



RESIDENTIAL GAS REPLACEMENT PARTS LIST

Through-The-Wall TTW[®]1 Energy Saver (MI) Models

Dash Twelve, Thirteen, Fifteen
(-12, -13, -15)

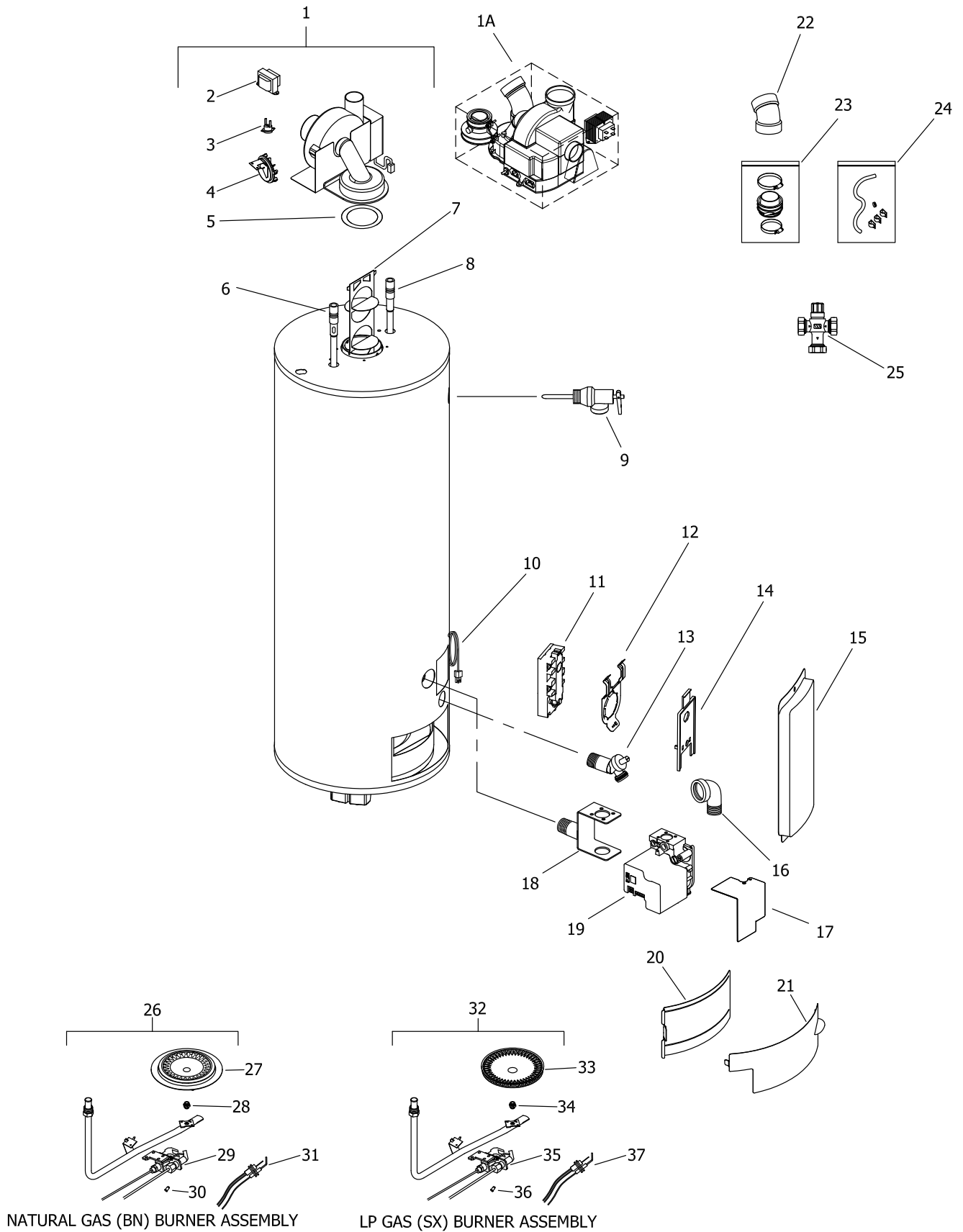


Includes Hydrojet[®]
Total Performance System

Effective: July 31, 2008
ECO 7291-2

**NOTE: BOTH MODEL AND SERIAL
NUMBERS ARE REQUIRED FOR
ORDERING REPLACEMENT PARTS**

Dimensions and specifications
subject to change without notice.



NATURAL GAS (BN) BURNER ASSEMBLY

LP GAS (SX) BURNER ASSEMBLY

LP GAS (SX) BURNER ASSEMBLY TO REPLACE LP GAS (CX) BURNER ASSEMBLY
ON ALL MODELS EXCEPT 75 & 100 GAL. MODELS

| Item | Description | Model | Model |
|------|--|---|-------------------------------------|
| | | MITW40L*(BN,EN,CX) (-12,-13,-15) | MITW50L*(BN,EN,CX) (-12,-13,-15) |
| 1 | Blower | 265-41605-00 | 265-41605-00 |
| 1A | Universal SVC Blower Kit | 265-47200-00 | 265-47200-00 |
| 2 | Transformer | 233-41863-00 | 233-41863-00 |
| 3 | Temperature Switch | 233-41831-00 | 233-41831-00 |
| 4 | Pressure Switch | 239-45460-00 | 239-45460-00 |
| 5 | Blower Gasket | 239-42644-00 | 239-42644-00 |
| 6 | Hot Water Outlet Anode Magnesium | 224-32731-89 | 224-32731-89 |
| | Hot Water Outlet Aluminum | 224-32999-22 | 224-32999-22 |
| | Hot Water Outlet A420 Aluminum | 224-45147-01 | 224-45147-01 |
| 7 | Baffle | 243-39998-00 | 243-39998-00 |
| 8 | Cold Water Inlet Dip Tube Polypropylene | 229-39625-20 | 229-39625-20 |
| | Cold Water Inlet Polysulfone (NC Code) | 229-39628-20 | 229-39628-20 |
| 9 | T&P Relief Valve | 230-32920-01 | 230-32920-01 |
| 10 | Power Cord | 239-39772-00 | 239-39772-00 |
| 11 | Thermostat | 265-42034-00 | 265-42034-00 |
| 12 | Thermostat Bracket | 239-44478-00 | 239-44478-00 |
| 13 | Brass Drain Valve | 265-42351-02 | 265-42351-02 |
| 14 | Thermostat Protector | 223-40399-00 | 223-40399-00 |
| 15 | Hand Hole Cover | 243-36618-02 | 243-36618-02 |
| 16 | Street Elbow | 239-40779-00 | 239-40779-00 |
| 17 | Gas Valve Cover | 239-40896-00 | 239-40896-00 |
| 18 | Gas Valve Bracket | 239-40687-00 | 239-40687-00 |
| 19 | Gas Valve Natural Gas | 222-40762-01 | 222-40762-01 |
| | Gas Valve LP Gas | 222-40762-02 | 222-40762-02 |
| 20 | Inner Door Complete (Sliding) | 243-36739-02 | 243-36739-02 |
| 21 | Outer Door | 243-41061-00 | 243-41061-00 |
| 22 | Vent Terminal Elbow | 239-39831-00 | 239-39831-00 |
| 23 | 2" Exhaust Adaptor Kit | 239-45216-00 | 239-45216-00 |
| 24 | Condensate Hose Kit (Optional) | 239-43869-00 | 239-43869-00 |
| 25 | ASSE Approved Mixing Valve (Optional) | 239-43740-01 | 239-43740-01 |
| | Natural Gas (BN) Burner Assembly | (Replacement for Natural Gas (EN) Burner) | |
| 26 | Nat. Gas (BN) Burner Assembly Complete** | 265-47439-12-32 | 265-47439-12-32 |
| 27 | Nat. Gas (BN) Burner | 228-42506-00 | 228-42506-00 |
| 28 | Nat. Gas (BN) Main Burner Orifice | 234-41034-32 | 234-41034-32 |
| | Nat. Gas (BN) High Altitude 2001 Ft. to 5000 Ft. | 234-41034-36 | 234-41034-36 |
| | Nat. Gas (BN) High Altitude 5001 Ft. to 8000 Ft. | 234-41034-38 | 234-41034-38 |
| | Nat. Gas (BN) High Altitude Over 8000 Ft. | 234-41034-38 | 234-41034-38 |
| 29 | Nat. Gas Pilot Assembly | 233-40876-02 | 233-40876-02 |
| 30 | Nat. Gas Pilot Orifice | 234-45869-01 | 234-45869-01 |
| 31 | Nat. Gas Igniter/Flame Sensor | 239-40918-00 | 239-40918-00 |
| | LP Gas (SX) Titanium Stabilized Stainless Steel Burner Assembly | (Replacement for LP Gas (CX) Cast Iron Burner) | |
| 32 | LP Gas (SX) Burner Assembly Complete** | 265-47440-22-50 | 265-47440-22-50 |
| 33 | LP Gas (SX) Burner | 228-46964-00 | 228-46964-00 |
| 34 | LP Gas (SX) Main Burner Orifice | 234-47064-50 | 234-47064-50 |
| | LP Gas (SX) High Altitude 2001 Ft. to 5000 Ft. | 234-47064-51 | 234-47064-51 |
| | LP Gas (SX) High Altitude 5001 Ft. to 8000 Ft. | 234-47064-52 | 234-47064-52 |
| | LP Gas (SX) High Altitude Over 8000 Ft. | 234-47064-53 | 234-47064-53 |
| 35 | LP Gas Pilot Assembly | 233-40877-02 | 233-40877-02 |
| 36 | LP Gas Pilot Orifice | 234-45869-02 | 234-45869-02 |
| 37 | LP Gas Igniter/Flame Sensor | 239-40918-00 | 239-40918-00 |

*Applies to all warranties

**Ordering a complete burner assembly may increase delivery time. Please order the specific component required for the quickest delivery.



BRADFORD WHITE®

W A T E R H E A T E R S

Ambler, PA

For U.S. and Canada field service,
contact your professional installer or
local Bradford White sales representative.

Sales/800-523-2931
Fax/215-641-1670
Parts Fax/215-641-2180

Technical Support/800-334-3393
Fax/269-795-1089

Warranty/800-531-2111
Fax/269-795-1089

International:
Telephone/215-641-9400
Telefax/215-641-9750



BRADFORD WHITE-CANADA® INC.

Mississauga, ON

Sales/866-690-0961
905-238-0100

Fax/905-238-0105

Technical Support/800-334-3393

Email

parts@bradfordwhite.com
techserv@bradfordwhite.com

www.bradfordwhite.com