

## Features

- 8-1/2" (216 mm) swing spout reach.
- Single lever handle makes adjusting water temperature easy.
- Aerated flow delivers a smooth, steady stream of water.
- Temperature memory allows faucet to be turned on and off at the temperature set during prior usage.
- 1.5 gpm (5.7 lpm) maximum flow rate at 60 psi (4.14 bar).
- KOHLER ceramic disc valves exceed industry longevity standards for a lifetime of durable performance.

## Material

- Premium metal construction for durability and reliability.
- KOHLER finishes resist corrosion and tarnishing.

## Installation

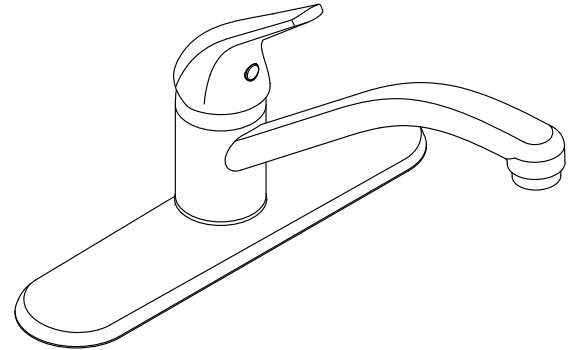
- Single- or three-hole installation (escutcheon included).
- Flexible supply lines simplify installation.

## Recommended Products/Accessories

K-23723 Faucet cleaner

## Optional Products/Accessories

1012715



ADA

CSA B651

## Codes/Standards

ASME A112.18.1/CSA B125.1

NSF/ANSI 61

NSF/ANSI 372

All applicable US Federal and State material regulations

DOE - Energy Policy Act 1992

California Energy Commission (CEC)

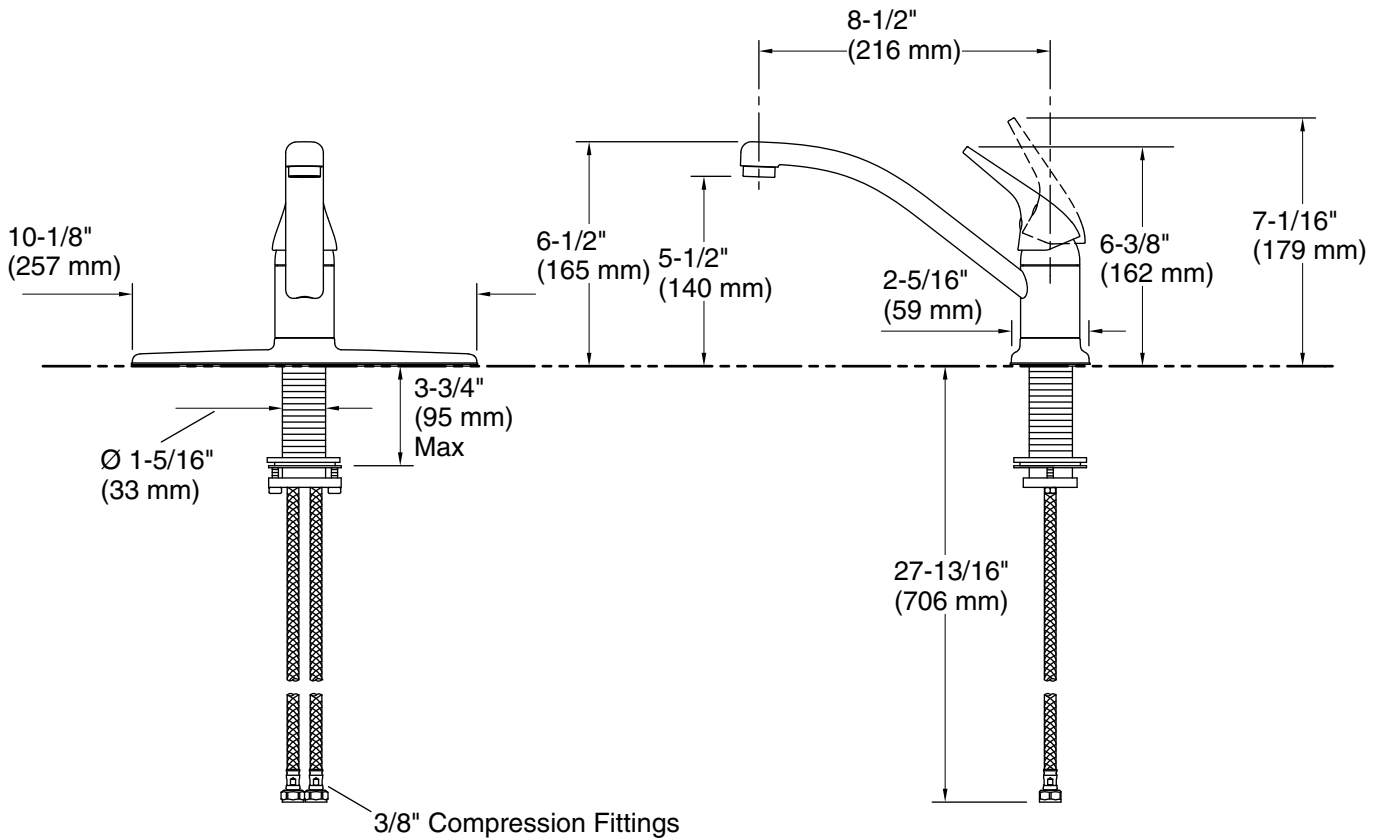
ADA

ICC/ANSI A117.1

CSA B651

## KOHLER® Faucet Lifetime Limited Warranty

See website for detailed warranty information.



### Technical Information

All product dimensions are nominal.

Valve body: Plastic

Drain included: No

### Spout:

Spout reach: 8-1/2" (216 mm)

### Notes

Install this product according to the installation instructions.

ADA, CSA B651 compliant when installed to the specific requirements of these regulations.