



30" Single Wall Oven with Total Convection

Single Wall Oven

Available Products: PCWS3080AF

Available Colors: Stainless Steel

Version: 08/22

**Product Specifications**

**Cooking Controls**

|                     |     |
|---------------------|-----|
| Air Fry             | Yes |
| Bake                | Yes |
| Broil               | Yes |
| Cancel              | Yes |
| Child Lock          | Yes |
| Clear Off           | Yes |
| Clock               | Yes |
| Convection Bake     | Yes |
| Convection Roast    | Yes |
| Delay Clean         | Yes |
| Delay Start         | Yes |
| Fast Preheat        | Yes |
| Kitchen Timer       | Yes |
| Light               | Yes |
| Off                 | Yes |
| Oven Light          | Yes |
| Probe               | Yes |
| Self Clean          | Yes |
| Set Clock           | Yes |
| Slow Cook           | Yes |
| Start               | Yes |
| Steam Bake          | Yes |
| Steam Clean         | Yes |
| Steam Roast         | Yes |
| Stop                | Yes |
| Temperature Display | Yes |
| Timer On / Off      | Yes |
| User Preferences    | Yes |

**Cooking Controls Function**

|   |     |
|---|-----|
| Change between Continuous Bake Setting or 12-Hour Energy Saving Feature | Yes |
| Delayed Bake  | Yes |
| Program Fahrenheit or Celsius   | Yes |
| Silent Control Panel  | Yes |

**Controls**

|              |     |
|--------------|-----|
| Control Lock | Yes |
| Sabbath Mode | Yes |

**Dimensions and Volume**

|                          |             |
|--------------------------|-------------|
| Height                   | 28"         |
| Width                    | 29 7/8"     |
| Depth                    | 25 3/16"    |
| Depth With Door 90° Open | 48 3/16"    |
| Depth With Handle        | 27 6/10"    |
| Oven Interior Height     | 18 1/8"     |
| Oven Interior Width      | 25 2/10"    |
| Oven Interior Depth      | 19 7/8"     |
| Maximum Cutout Height    | 28"         |
| Maximum Cutout Width     | 29"         |
| Minimum Cutout Height    | 26 3/4"     |
| Minimum Cutout Width     | 28 1/2"     |
| Oven Capacity            | 5.3 Cu. Ft. |

**Installation**

|                                  |          |
|----------------------------------|----------|
| Power Supply Connection Location | Top Left |
|----------------------------------|----------|

**Certifications and Approvals**

|                      |     |
|----------------------|-----|
| ADA Compliant        | Yes |
| Star-K Certification | Yes |

**Oven**

|                           |                |
|---------------------------|----------------|
| Bake Element Type         | Hidden         |
| Bake Element Pass         | 8              |
| Bake Element              | 2,500 Watts    |
| Broil System              | Yes            |
| Broil Element Pass        | 6              |
| Broil Element             | 4,000 Watts    |
| Cleaning System           | Yes            |
| Convection                | Yes            |
| Convection Type           | Total          |
| Convection Element        | 3,800 Watts    |
| Rack Position Type        | Embossed       |
| Number of Rack Positions  | 6              |
| Rack Type 1               | Handle         |
| Rack Type 1 Quantity      | 1              |
| Rack Type 2               | Glide          |
| Rack Type 2 Quantity      | 1              |
| Rack Type 3               | Air Fry Tray   |
| Rack Type 3 Quantity      | 1              |
| Oven Interior Color       | Midnight Black |
| Oven Light Type           | Halogen        |
| Oven Light Quantity       | 2              |
| Oven Light Watts          | 40 Watts       |
| Number of Convection Fans | 1              |

**Display**

|                         |                  |
|-------------------------|------------------|
| Display Interface Color | White            |
| Display Light Color     | White            |
| Display Type            | Capacitive Touch |
| Control Location        | Top              |

**Electrical Specifications**

|                          |         |
|--------------------------|---------|
| Amps @ 240 Volts         | 20 Amps |
| Connected Load @ 240V    | 4.5 kW  |
| Minimum Circuit Required | 20 Amps |
| Voltage Rating           | 240 V   |

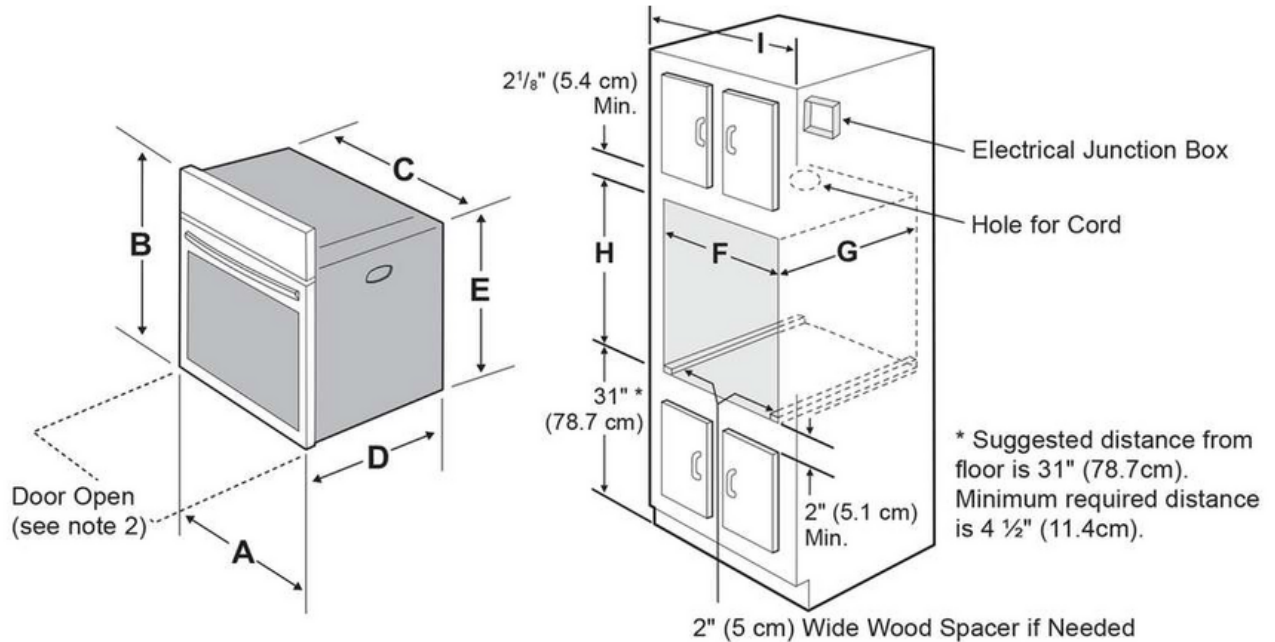
**General Specifications**

|                        |        |
|------------------------|--------|
| Prop 65 Label          | Yes    |
| Warranty - Labor       | 1 Year |
| Warranty - Parts       | 1 Year |
| Frigidaire Fit Promise | Yes    |

**Safety Certifications and Approvals**

|            |     |
|------------|-----|
| CSA Listed | Yes |
| UL Listed  | Yes |
| RoHS       | Yes |

### Installation Diagram



**NOTES:**

1. Allow at least 23" (58.4 cm) clearance in front of oven for door depth when it is open.
2. Dimension G (cutout depth) is critical to the proper installation of the built-in oven. If the oven trim does not butt against the cabinet, or if noise is heard on convection models, verify dimension G to assure it is the required depth.
3. For a cutout height greater than the maximum (H), add one 2" (5 cm) wide wood shim of appropriate height to each side of the opening under the appliance side rails. A trim kit may be purchased through a dealer, service, or on the brand website.

| PRODUCT DIMENSIONS                       |              |   |  |              |  |
|--|--------------|---|--|--------------|--|
| A  | B            | C   | D  |              | E  |
| 29 <sup>7</sup> / <sub>8</sub> (75.9 cm) | 28 (71.1 cm) | 28 <sup>7</sup> / <sub>16</sub> (72.2 cm) | 25 <sup>3</sup> / <sub>16</sub> (63.9 cm)    |              | 26 (66.1 cm)                                 |
| CUTOUT DIMENSIONS AND CABINET WIDTH      |              |   |  |              |  |
| F  |              | G   | H. Standard Height<br>(**Others, see note 3) |              | I  |
| Min.                                     | Max.         | Min.                                      | Min.   | Max.         |  |
| 28 <sup>1</sup> / <sub>2</sub> (72.4 cm) | 29 (73.7 cm) | 23 <sup>1</sup> / <sub>2</sub> (59.7 cm)  | 26 <sup>3</sup> / <sub>4</sub> (68.0 cm)     | 28 (71.1 cm) | 30 <sup>1</sup> / <sub>8</sub> (76.5 cm) Min |