

Specifications

PFAG100

Air Gap



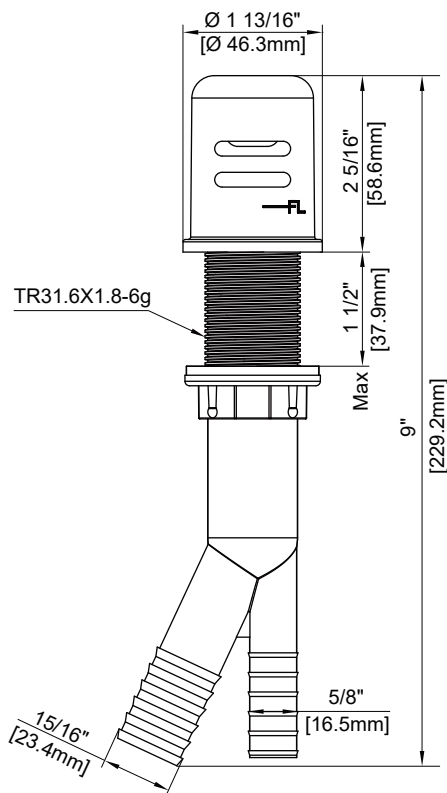
Product Features

- cUPC/IAPMO listed
- Certified to ASME A112.18.1/CSA B125.1

Optional Accessories/Available Parts

PFAG100MB	Matte black
PFAG100CP	Chrome
PFAG100ORB	Oil rubbed bronze
PFAG100ZBN	Brushed nickel

Product Specifications



PFAG100CP

* All measurements are nominal. Please verify before actual installation.

Warranty and Codes

This product comes complete with installation, operating, care and maintenance instructions. This PROFLO faucet carries a limited lifetime warranty when installed in residential applications. The warranty is five years in commercial applications.



[FERGUSON.COM/PROFLO](https://www.ferguson.com/proflo)